



AUTOMOTIVE PRODUCTS, INC.

INSTALLATION INSTRUCTIONS

APPLICATION: WINCH TRAY, SPORTSMAN GG WINCH TRAY KITS, & HDX GG WINCH TRAY KITS
2015 & UP FORD F-150

APP PART #40-93835, 45-93830, 46-23835, 57-93830, 57-93835

ITEM	QUANTITY	DESCRIPTION	TOOLS NEEDED
1	1	GRILLE GUARD ASSEMBLY	RATCHET
2	1	DRIVER SIDE LOWER MOUNTING BRACKET	UTILITY KNIFE
3	1	PASSENGER SIDE LOWER MOUNTING BRACKET	18MM SOCKET
4	1	DRIVER SIDE UPPER SUPPORT BRACKET	15MM SOCKET
5	1	PASSENGER SIDE UPPER SUPPORT BRACKET	14MM SOCKET
6	2	8MM THICK ROUND SPACER	PRY TOOL
7	4	DOUBLE NUT PLATE	ALLEN WRENCH
8	6	M12 HEX CAP SCREW 40MM LONG (YELLOW ZINC)	TORQUE WRENCH
9	8	M12 FLAT WASHER 24MM OD (YELLOW ZINC)	SOCKET EXTENS.
10	8	M12 SPLIT LOCK WASHER (YELLOW ZINC)	
11	2	M8 CAP SCREW (YELLOW ZINC)	
12	2	M8 FLAT WASHER 16MM OD (YELLOW ZINC)	
13	2	M8 SPLIT LOCK WASHER (YELLOW ZINC)	
14	6	M12 HEX BUTTON HEAD SCREW (STAINLESS)	
15	6	M12 CUPPED WASHER (STAINLESS)	
16	6	M12 SERRATED FLANGE NUT (STAINLESS)	
17	1	WINCH TRAY ASSEMBLY	
18	2	M12 HEX CAP SCREW 120MM LONG (YELLOW ZINC)	
19	2	M12 FLAT WASHER 44MM OD (YELLOW ZINC)	
20	2	M12 HEX NUT (YELLOW ZINC)	
21	4	M12 HEX NUT (BLACK ZINC)	
22	4	M12 HEX CAP SCREW (BLACK ZINC)	
23	8	M12 FLAT WASHER 24MM OD (BLACK ZINC)	
24	4	M12 SPLIT LOCK WASHER (BLACK ZINC)	

ANTI-SEIZE LUBRICANT MUST BE USED ON ALL STAINLESS STEEL FASTENERS TO PREVENT THREAD DAMAGE AND GALLING .

1. Remove contents from box, verify if all parts listed are present and undamaged. Carefully read and understand all instructions before attempting installation. (Note: There is no need to remove front bumper to install grille guard assembly.)
2. **For vehicles without factory tow hooks** trim the plastic in the areas in Figure 1 and 2. Repeat for the passenger side.



Westin Automotive Products, Inc.
320 Covina Blvd
San Dimas, Ca. 91773

P.N.: 75-1045 REV A

ECO #: W14-0090

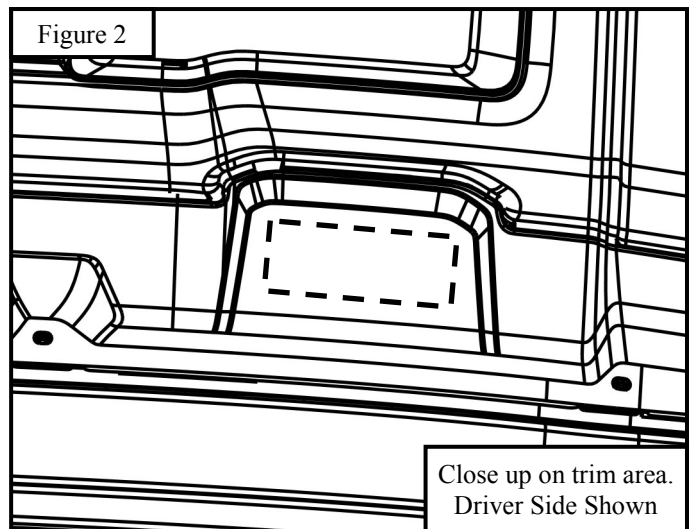
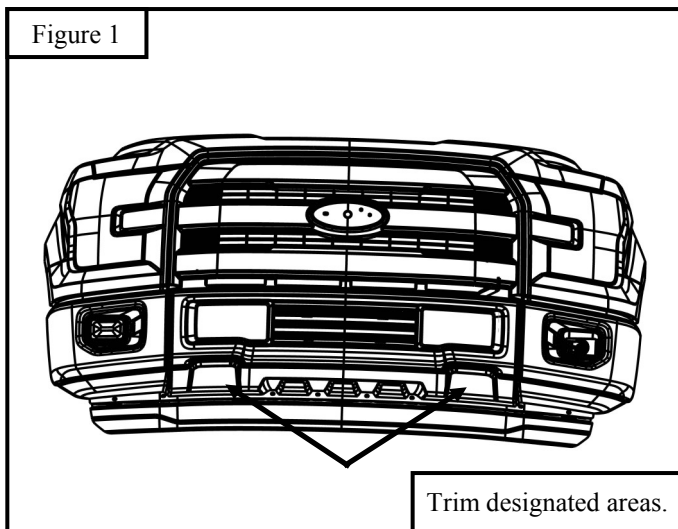
Thank You for choosing Westin products
For Additional installation assistance please call
Customer service (800) 793-7846
www.westinautomotive.com

DATE: 01/02/14

3. **For vehicles without factory tow hooks** slip 2 double nut plates into each frame rail and line up with existing holes, see Figure 3. Guide them and align with holes shown in Figure 6 with a magnet or screw driver. (Note: The rear nut plate will only need to be installed with one bolt.)
4. **For vehicles without factory tow hooks** Loosely install the Lower Mounting Brackets using the supplied M12 hardware as shown in Figure 6. Trim screws if they interfere with lower mounting bracket see Figure 5. (Note: The plastic valance which was trimmed in step 2 may need to be trimmed further to access a bolt with the ratchet when installing the lower mounting bracket, or the lower valance may be removed, see Figure 4.)
5. **For vehicles with factory tow hooks** remove tow hooks and slip in 1 double nut plate into frame rail. Loosely install Lower Mounting Brackets to factory nut plates and supplied nut plate using supplied M12 hardware as shown in Figure 6. Trim screws if they interfere with lower mounting bracket see Figure 5. (Note: The nut plate will only need to be installed with one bolt and see Figure 4.)
6. Loosely install long M12 bolt and M12 hardware to the back of the lower mounting bracket. Use large diameter washer with nut and smaller diameter with bolt, see Figure 7.
7. Loosely install winch tray to lower mounting bracket using supplied M12 black zinc hardware, see Figure 8.
8. Align and adjust as needed, then torque M12 hardware to 50-55 ft-lbs.
9. Install winch to winch tray per manufacturers instructions.

FOR GRILLE GUARD INSTALATION USE ONLY

10. Remove all factory hardware and clips attached to grille, then remove grill. See Figures 10-16.
11. Remove factory bumper bolt see Figure 17. Install upper mounting bracket using supplied M8 hardware, tighten to 15 ft-lbs. See Figure 18.
12. Reinstall grille and headlight covers in the reverse order of the install instructions.
13. With assistance hold the Grille Guard up to the previously installed winch tray and upper mounting brackets. Loosely attach the Grille Guard to the brackets and winch tray using the supplied M12 hardware, see Figure 19 and 20.
14. Align and adjust the Grille Guard as necessary. Tighten and torque M12 hardware to 50-55 ft-lbs.



Westin Automotive Products, Inc.
320 Covina Blvd
San Dimas, Ca. 91773

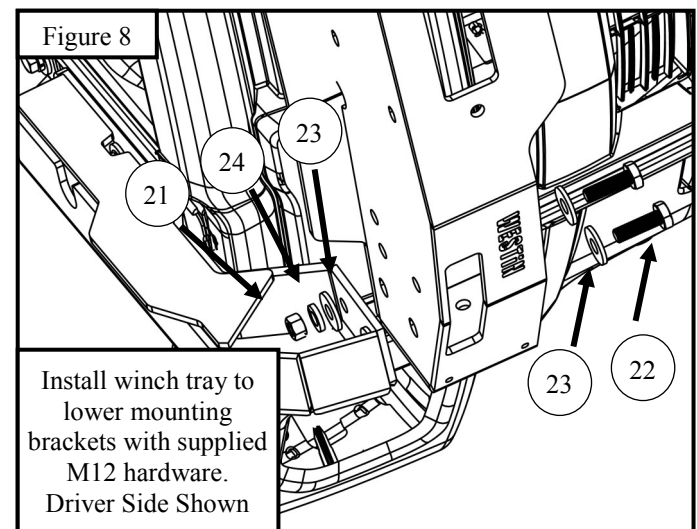
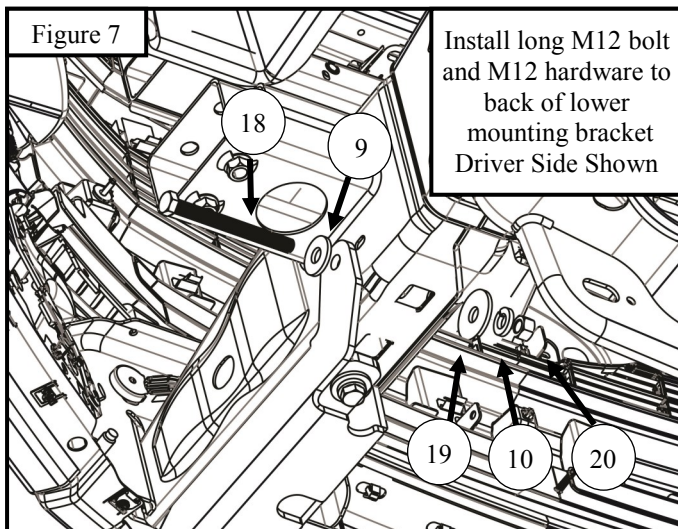
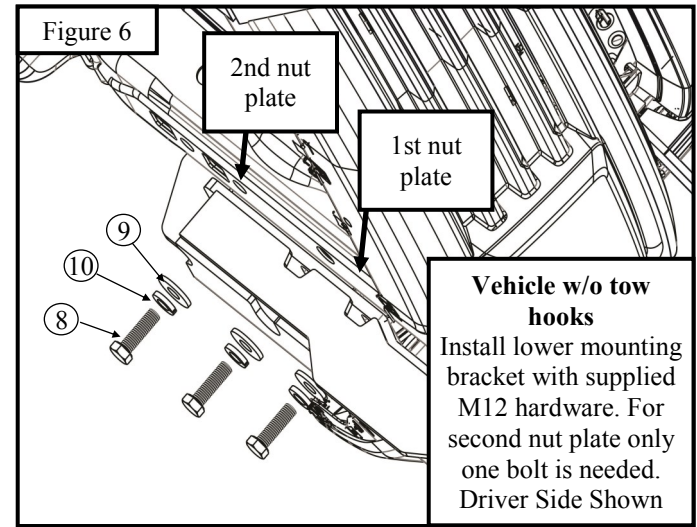
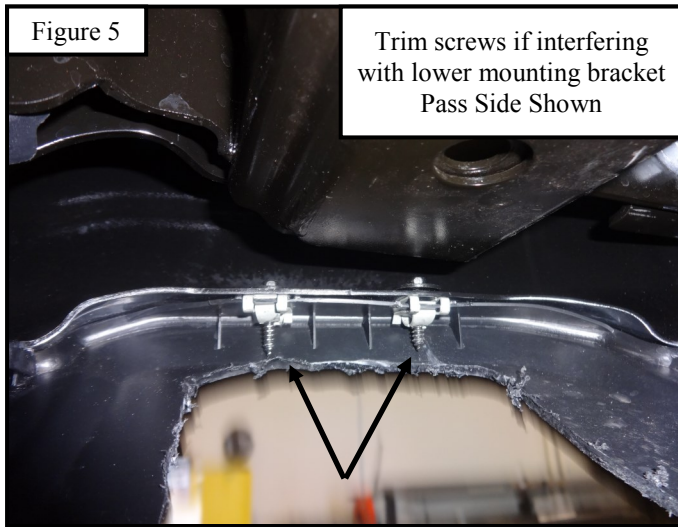
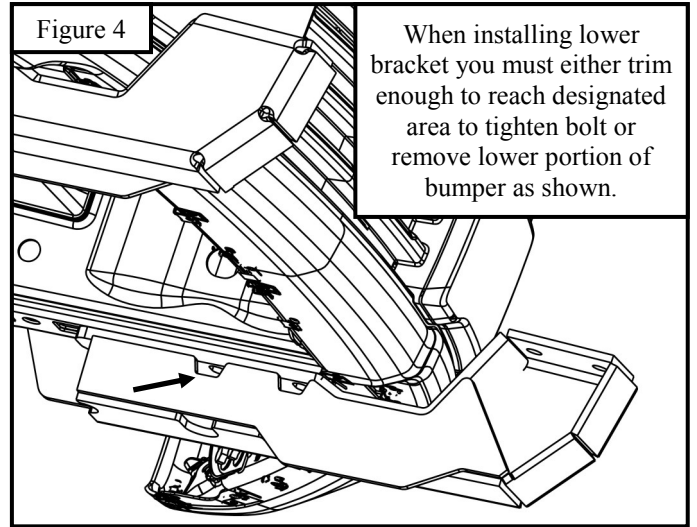
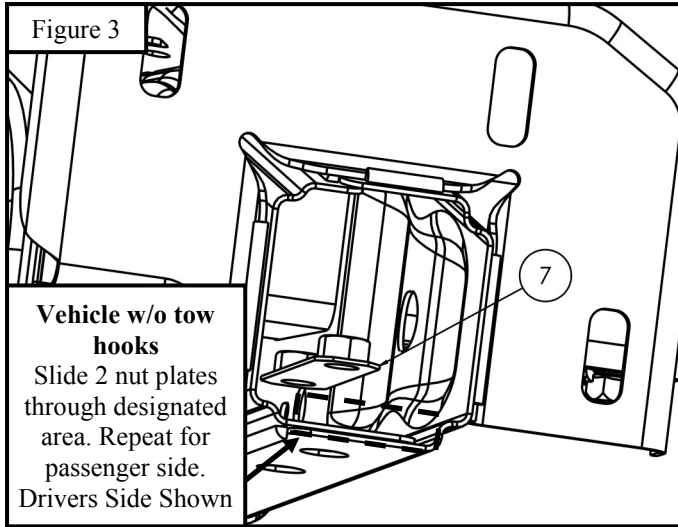
P.N.: 75-1045 REV A

ECO #: W14-0090

2

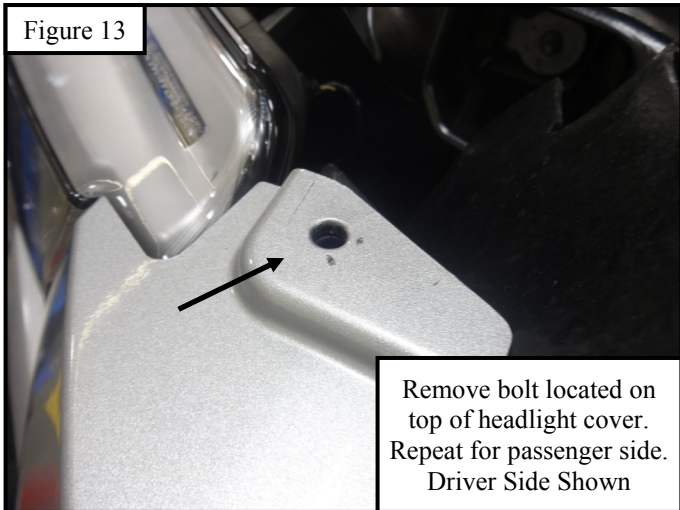
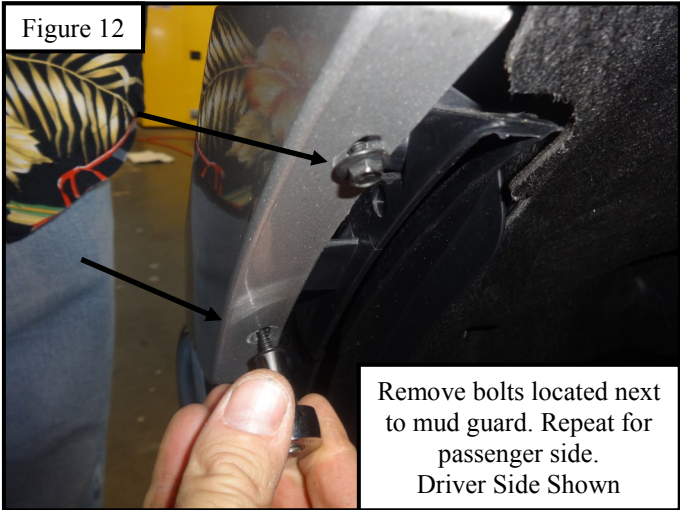
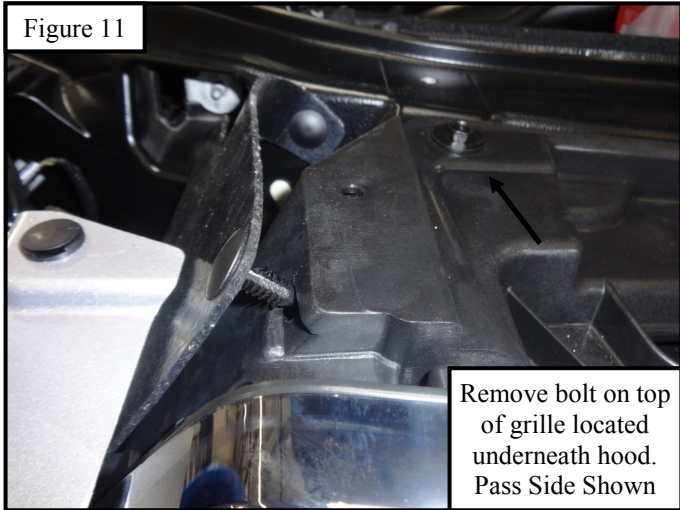
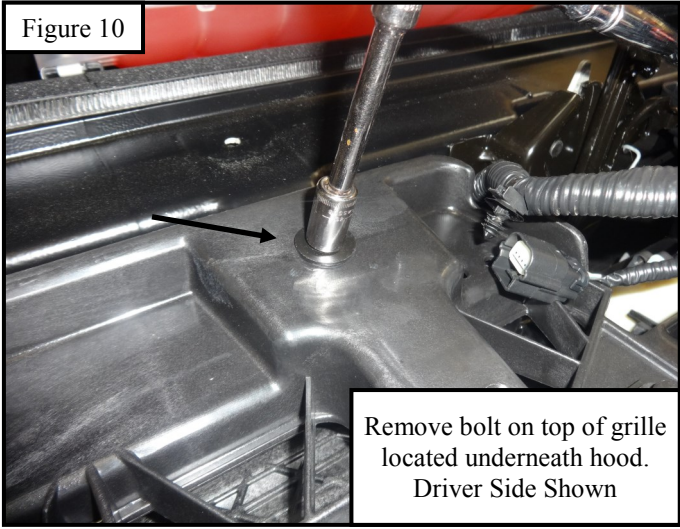
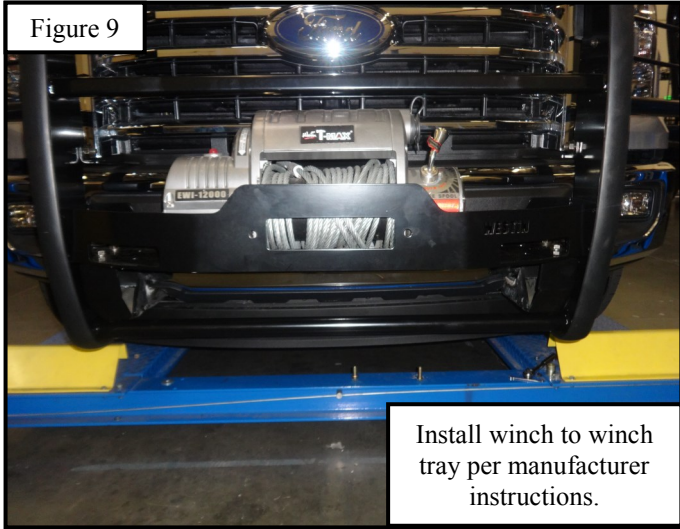
Thank You for choosing Westin products
For Additional installation assistance please call
Customer service (800) 793-7846
www.westinautomotive.com

DATE: 01/02/14



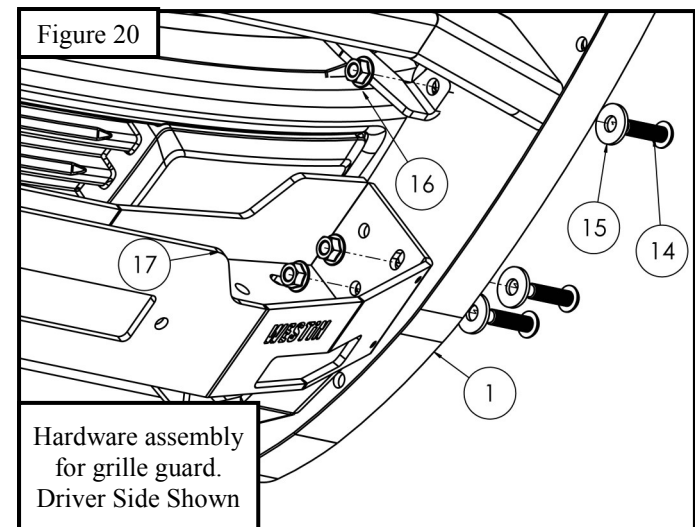
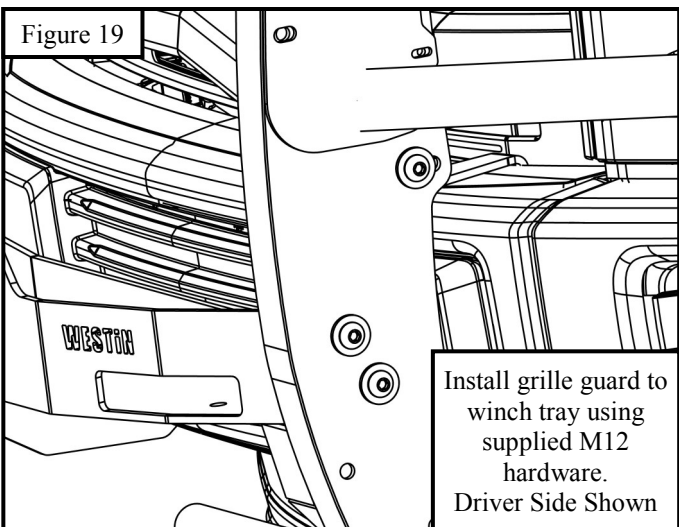
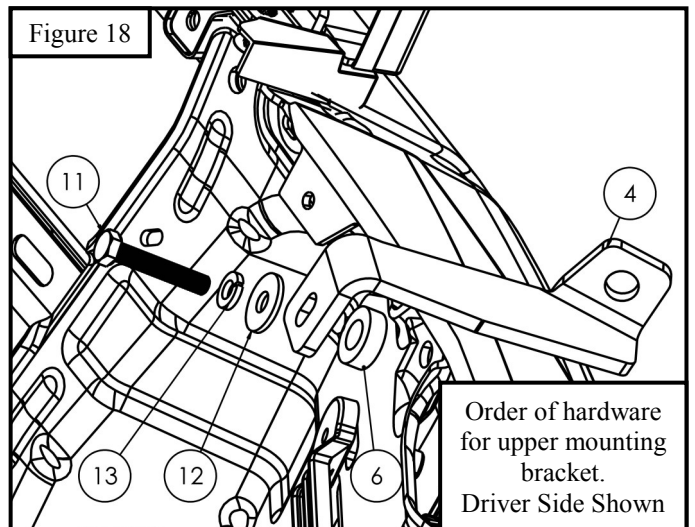
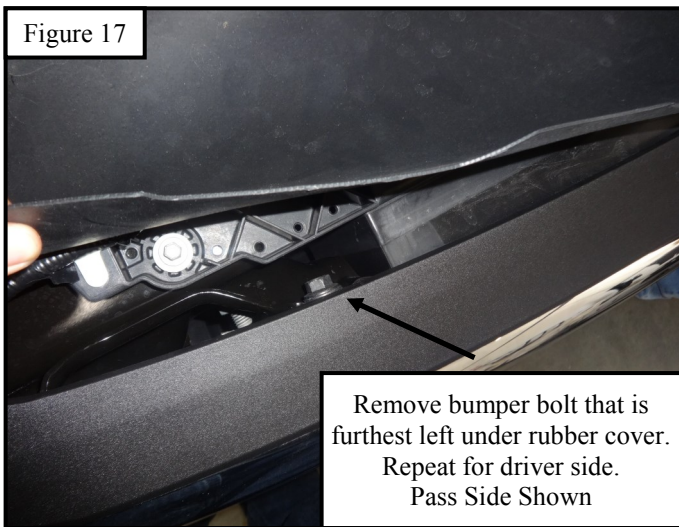
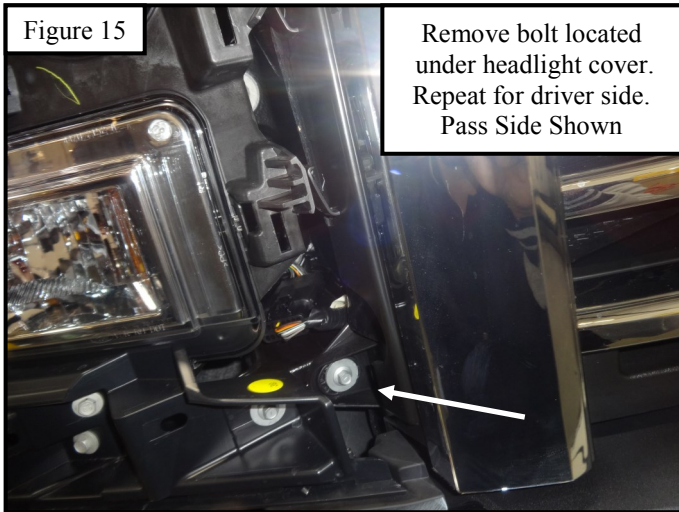
Westin Automotive Products, Inc.
320 Covina Blvd
San Dimas, Ca. 91773

Thank You for choosing Westin products
For Additional installation assistance please call
Customer service (800) 793-7846
www.westinautomotive.com



Westin Automotive Products, Inc.
320 Covina Blvd
San Dimas, Ca. 91773

Thank You for choosing Westin products
For Additional installation assistance please call
Customer service (800) 793-7846
www.westinautomotive.com



Westin Automotive Products, Inc.
320 Covina Blvd
San Dimas, Ca. 91773

Thank You for choosing Westin products
For Additional installation assistance please call
Customer service (800) 793-7846
www.westinautomotive.com

Installation Complete



CARE INSTRUCTIONS

- REGULAR WAXING IS RECOMMENDED. DO NOT USE ANY TYPE OF POLISH OR WAX THAT MAY CONTAIN ABRASIVES.
- STAINLESS STEEL PRODUCTS CAN BE CLEANED WITH MILD SOAP AND WATER. STAINLESS STEEL POLISH SHOULD BE USED TO POLISH SMALL SCRATCHES.
- GLOSS BLACK FINISHES SHOULD BE CLEANED WITH MILD SOAP AND WATER.



Westin Automotive Products, Inc.
320 Covina Blvd
San Dimas, Ca. 91773

P.N.: 75-1045 REV A

ECO #: W14-0090

6

Thank You for choosing Westin products
For Additional installation assistance please call
Customer service (800) 793-7846
www.westinautomotive.com

DATE: 01/02/14