



INSTALLATION INSTRUCTIONS

R7 Board

APPLICATION:

2005-2016 Toyota Tacoma - Access Cab / Double Cab

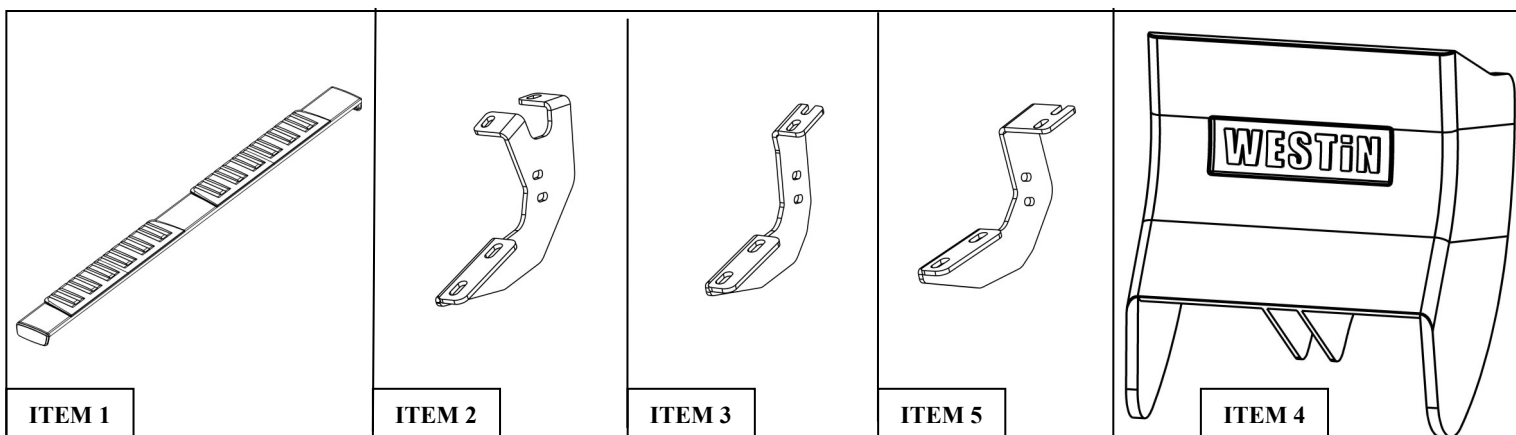
AUTOMOTIVE PRODUCTS,

PART NUMBER:

28-71120, 28-71125, 28-71130, 28-71135

CONTENT			
ITEM	QUANTITY	DESCRIPTION	TOOLS NEEDED
1	2	STEP BAR ASSEMBLY	13MM SOCKET
2	1	DRIVER FRONT MOUNTING BRACKET	13MM WRENCH
3	1	DRIVER CENTER MOUNTING BRACKET	10MM SOCKET
4	6	PLASTIC BRACKET COVER	10MM WRENCH
5	1	DRIVER SIDE REAR MOUNTING BRACKET	RATCHET
6	24	M8 HEX HEAD CAP SCREW (BLACK ZINC) SEMS HARDWARE	TORQUE WRENCH
7	24	M8 SPLIT LOCK WASHER (BLACK ZINC) SEMS HARDWARE	
8	24	M8 FLAT WASHER (BLACK ZINC) SEMS HARDWARE	
9	12	M6 HEX HEAD CAP SCREW (YELLOW ZINC)	
10	24	M6 FLAT WASHER (YELLOW ZINC)	
11	12	M6 NYLOCK NUT (YELLOW ZINC)	
12	1	PASSENGER FRONT MOUNTING BRACKET	
13	1	PASSENGER CENTER MOUNTING BRACKET	
14	1	PASSENGER REAR MOUNTING BRACKET	

ANTI-SEIZE LUBRICANT MUST BE USED ON ALL STAINLESS STEEL FASTENERS TO PREVENT THREAD DAMAGE AND GALLING



PROCEDURE

1. Remove contents from box, verify if all parts listed are present and free from damage.
 Carefully read and understand all instructions before attempting installation.
Failure to identify damage before installation could lead to a rejection of any claim.

2. Start installation on either side of the vehicle. Locate mounting locations with factory threaded holes with caps covering them. Remove factory caps from threaded holes, they will not be used again. Locate (1) Front Mounting Bracket and loosely install it to the front mounting location on the rocker panel using (2) M8 hex head cap screw, (2) M8 split lock washer, and (2) M8 flat washer (Items 6-8). Locate the Mounting Bracket B (Item 3) and loosely secure in the correct mounting locations on the rocker panel. Loosely install using the provided M8 hardware (Items 6-8). **See Figure 1 and 2.**
3. Repeat Step 2 for the other vehicle side.
4. Locate (1) Plastic Bracket Cover (Item 5) and loosely secure it to the (6) brackets using the provided hardware: (2) M6 hex head cap screw, (4) M6 flat washer, and (2) M6 nylon lock nut (Items 9-11) . Repeat for every bracket. **See Figure 3.**

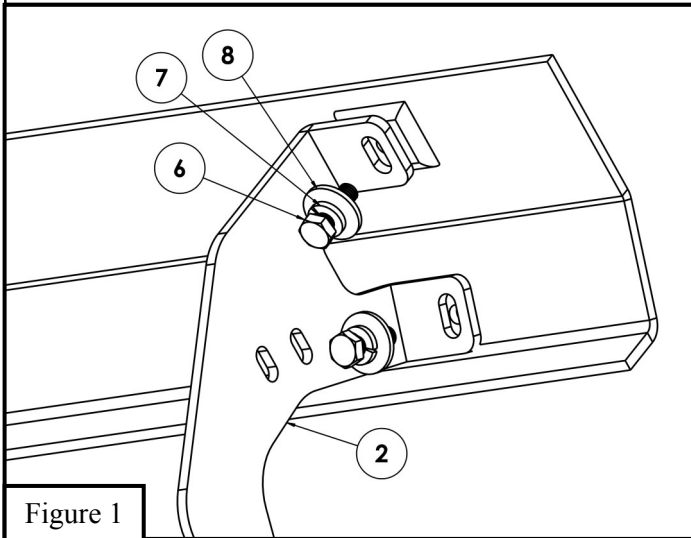


Figure 1

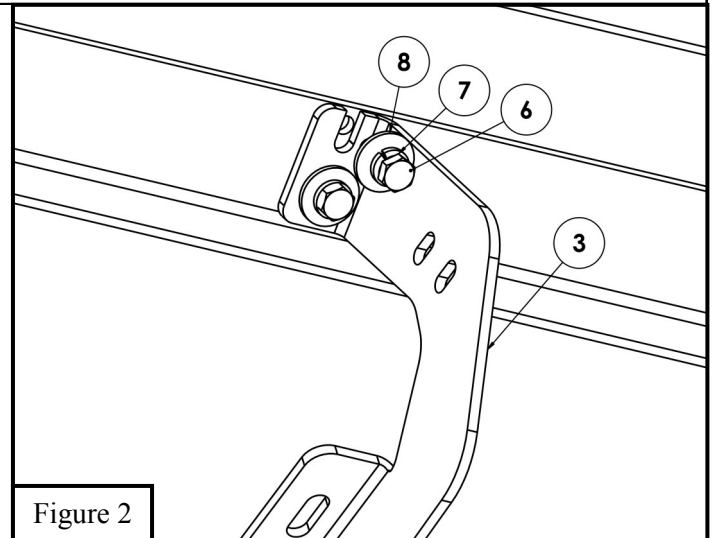


Figure 2

5. Loosely install step board to previously installed brackets with supplied M8 SEMS hardware. **See Figure 4.**
6. Align step board and brackets to desired positioning then torque and tighten all: M8 hardware to 20 ft-lbs and M6 hardware to 12 ft-lbs .

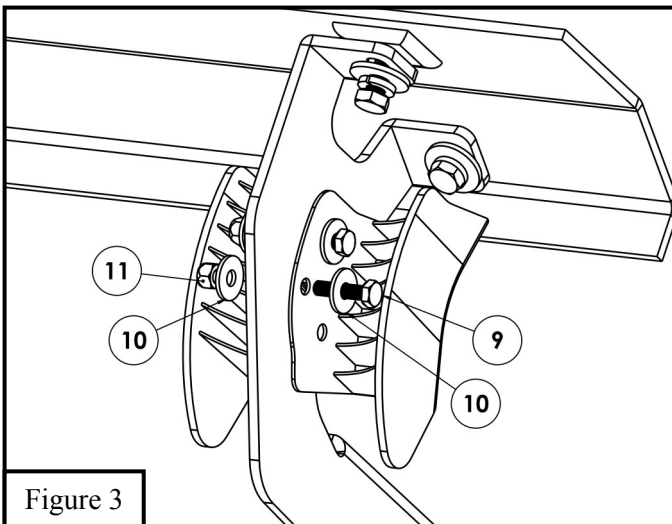


Figure 3

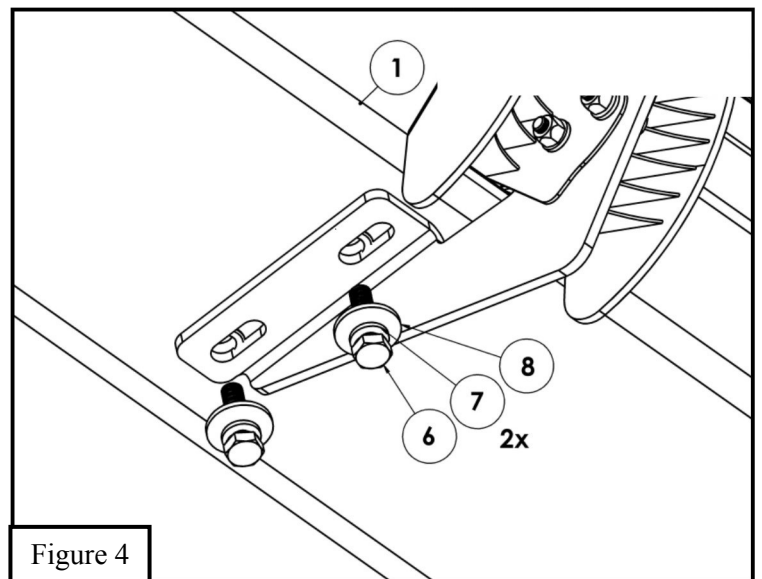


Figure 4



Westin Automotive Products, Inc.
320 W. Covina Blvd
San Dimas, Ca. 91773

Thank You for choosing Westin products
For Additional installation assistance please call
Customer service (800) 793-7846

INSTALLATION COMPLETE



Care Instructions

- REGULAR WAXING IS RECOMMENDED. DO NOT USE ANY TYPE OF POLISH OR WAX THAT MAY CONTAIN ABRASIVES.
- STAINLESS STEEL PRODUCTS CAN BE CLEANED WITH MILD SOAP AND WATER. STAINLESS STEEL POLISH SHOULD BE USED TO POLISH SMALL SCRATCHES..
- GLOSS BLACK FINISHES SHOULD BE CLEANED WITH MILD SOAP AND WATER.



Westin Automotive Products, Inc.
320 W. Covina Blvd
San Dimas, Ca. 91773

Thank You for choosing Westin products
For Additional installation assistance please call
Customer service (800) 793-7846
www.westinautomotive.com

Westin

SIGNATURE OF QUALITY

AUTOMOTIVE PRODUCTS, INC.



WARNING



Failure to follow these instructions could lead to death, personal injury, and / or property damage.

FASTENERS:

All Westin supplied fasteners must be utilized and installed in accordance with the installation instructions and apply torque to the specifications as defined. **DOUBLE CHECK ALL FASTENERS BEFORE INITIAL USE, AND PERIODICALLY IN THE FUTURE TO ENSURE PROPER FUNCTION AND SAFETY.**

DRILLING:

Most Westin products do not require drilling for installation. If drilling is defined as required, use caution when drilling a vehicle. **FAILURE TO REVIEW AN AREA TO BE DRILLED MAY RESULT IN PERSONAL INJURY AND/OR INJURY TO OTHERS AS WELL AS VEHICLE DAMAGE.**

EYE PROTECTION:

ALWAYS WEAR SAFETY GLASSES OR GOGGLES DURING THE INSTALLATION PROCESS TO AVOID PERSONAL INJURY.

MAXIMUM TOWING/CARRYING CAPACITY:

The Westin Receiver Hitches will have a visible tow rating label affixed directly on the product. User should never exceed the vehicle manufacturers maximum tow and weight rating regardless of the capacity of the hitch. **FAILURE TO FOLLOW THESE GUIDELINES WILL VOID THE WESTIN WARRANTY AND MAY RESULT IN PERSONAL INJURY AND/OR INJURY TO OTHERS AS WELL AS VEHICLE DAMAGE.**

Westin
SIGNATURE OF QUALITY

Westin Automotive Products, Inc.
320 W. Covina Blvd
San Dimas, Ca. 91773