

INSTALLATION INSTRUCTIONS



LED HOOD MOUNT

APPLICATION:

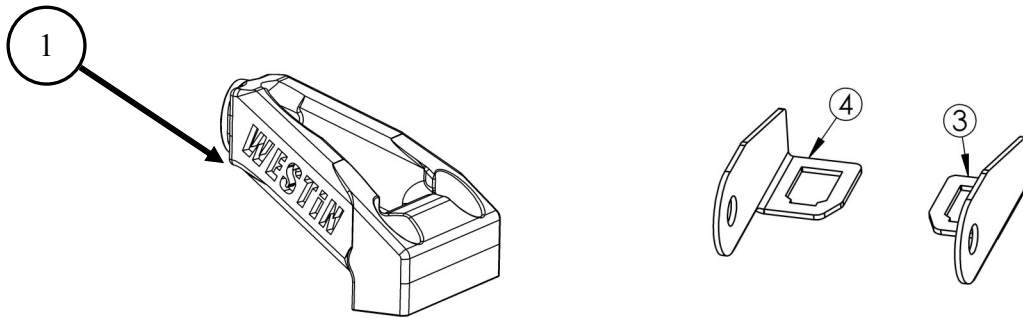
2007-2018 Jeep Wrangler JK (Excl. JL)

PART NUMBER:

62-41015

ITEM	QUANTITY	DESCRIPTION	TOOLS NEEDED
1,2	2	MOUNT BRACKET, DRIVER (1) AND PASSENGER (2)	T-50 TORX SOCKET
3,4	2	SQUIRTER MOUNTING BRACKET, DRIVER (3) AND PASSENGER (4)	ALLEN KEY
5	1	RUBBER HOSE	RATCHET
6	1	FOAM TAPE	TORQUE WRENCH
7	6	M8 SPLIT LOCK WASHER (RAW)	
8	2	SHORT M8 SOCKET HEAD CAP SCREW (RAW)	
9	4	LONG M8 SOCKET HEAD CAP SCREW (RAW)	
10	2	M5 FLAT WASHER (YELLOW ZINC)	
11	2	#10-24 KEPS NUT (BLUE ZINC)	
12	2	RUBBER BUMPER WITH #10-24 STUD	

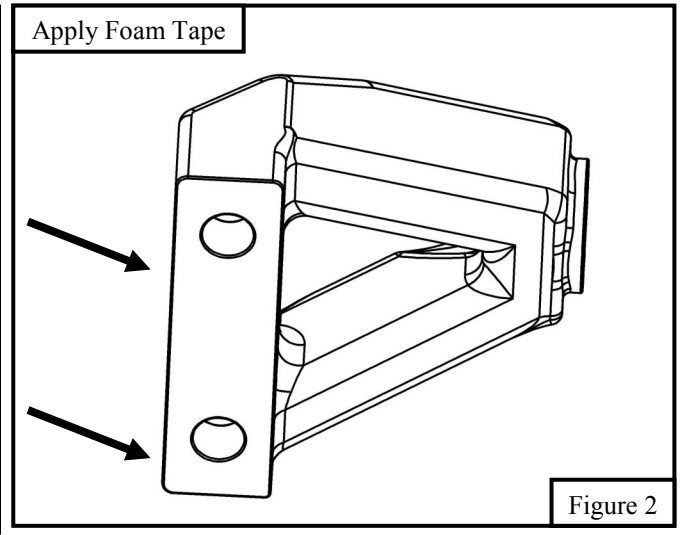
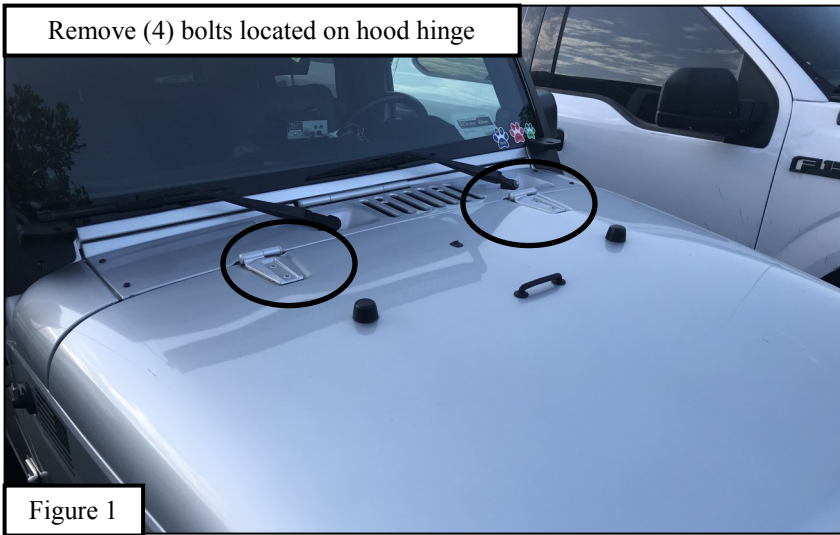
ANTI-SEIZE LUBRICANT MUST BE USED ON ALL STAINLESS STEEL FASTENERS TO PREVENT THREAD DAMAGE AND GALLING



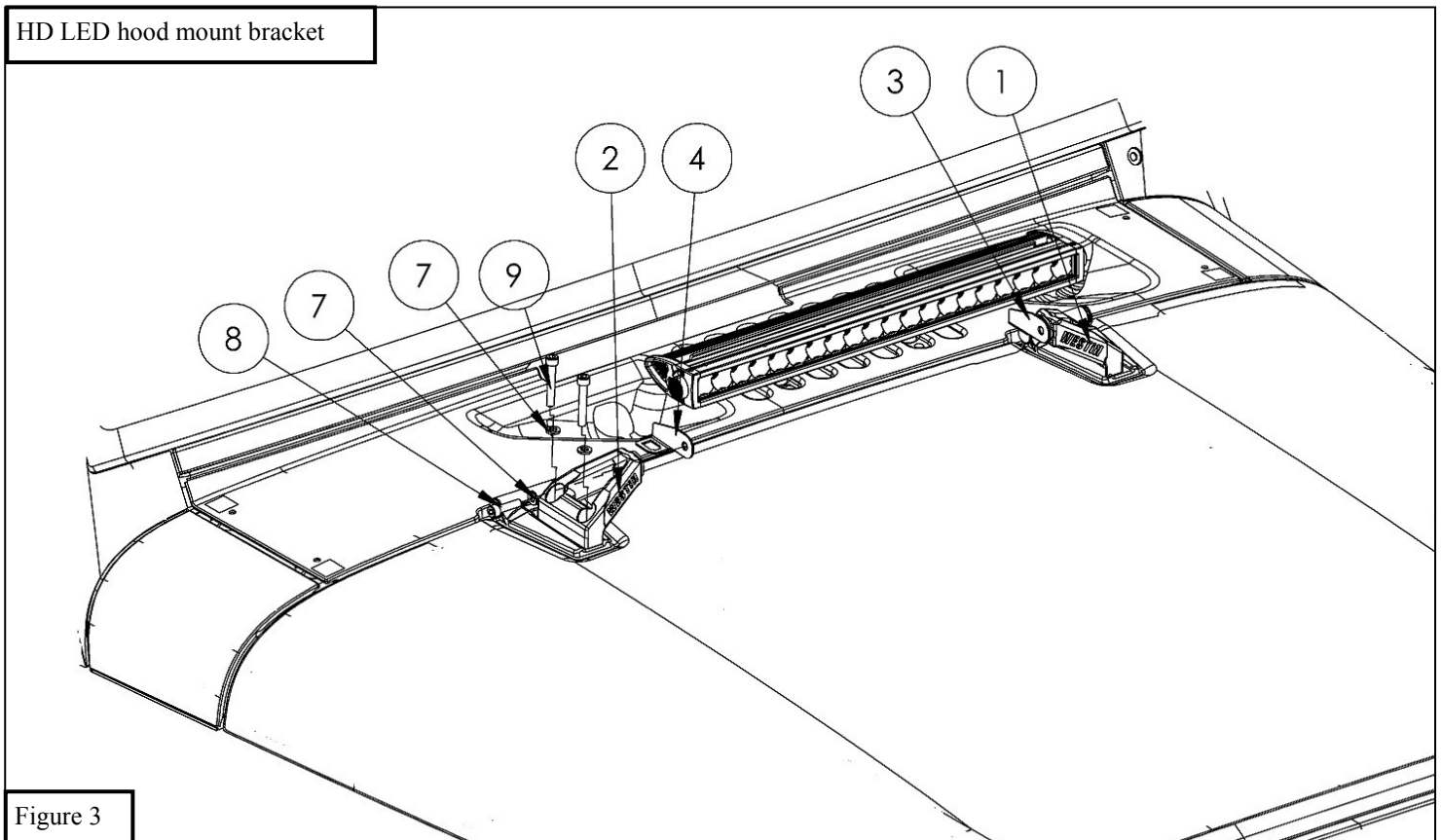
PROCEDURE

1. Remove contents from box, verify if all parts listed are present and free from damage.
Carefully read and understand all instructions before attempting installation.
Failure to identify damage before installation could lead to a rejection of any claim.

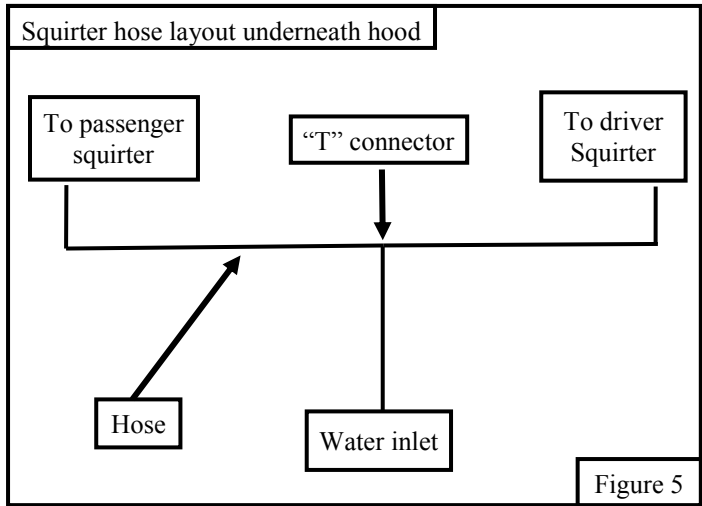
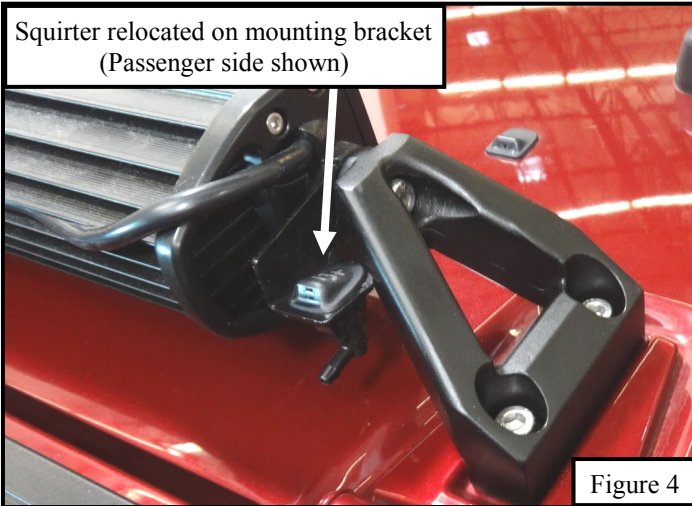
2. Starting on the driver's side of the vehicle, locate and remove the two bolts located on the hood hinge using a T50 torx driver. **Note:** Bolts will not be re-used. Refer to **Figure 1**.
3. Locate the supplied foam tape (Item 6) and trim enough to cover the bottom of the mounting bracket (Item 1/2). Place the trimmed tape on the bracket's mounting surface. Refer to **Figure 2**.



4. Position the mounting bracket on the hood hinge and align the two mounting holes with those of the hinge. Loosely install bracket using (2) long M8 socket head cap screw and (2) M8 split lock washers. **See Figure 3**.
5. Repeat steps 2-4 for passenger side.



6. **Note: (Steps 6 and 7 are optional.)** If windshield wiper squirter are not desired to be re-used, skip to Step 9. Locate the squirter relocating brackets (Items 3 & 4) and place them in between the mounting brackets and light bar mounting points as shown in **Figure 4**.
 - A. **2007-12 vehicles.** A separate purchase of (2) Mopar P/N 68164356AB windshield squirter and a windshield washer hose “T” connector is required in order to relocate squirter.
 - B. **2013-18 vehicles.** No separate purchases are required.
7. Install the factory squirter onto the squirter mounting brackets as shown in **Figure 4**. Using the provided hose, re-connect the factory squirter to the supplied water inlet hose at the “T” connector. Refer to **Figure 5**.
8. Using the rubber bumper with #10-24 stud, cover the holes where the stock squirter were located. Secure the bumper plugs to the hood by installing the keps nuts and M5 flat washers from beneath the hood.
9. **Note:** Light bar sold separately. To install the light bar, with the help of an assistant, carefully lift the light bar and position it between the two mounting brackets. Align the holes of both ends of the light bar with the holes of mounting brackets. Secure the light bar using two short M8 socket head cap screws (8), and two M8 split lock washers (7).
10. Torque all #10 fasteners to 25 in-lbs and M8 fasteners to 15-18 ft-lbs.



CARE INSTRUCTIONS

- REGULAR WAXING IS RECOMMENDED. DO NOT USE ANY TYPE OF POLISH OR WAX THAT MAY CONTAIN ABRASIVES.
- STAINLESS STEEL PRODUCTS CAN BE CLEANED WITH MILD SOAP AND WATER. STAINLESS STEEL POLISH SHOULD BE USED TO POLISH SMALL SCRATCHES.
- GLOSS BLACK FINISHES SHOULD BE CLEANED WITH MILD SOAP AND WATER.

WESTIN Westin Automotive Products, Inc.
320 W. Covina Blvd
San Dimas, Ca. 91773

Thank you for choosing Westin products
for additional installation assistance please call
Customer Service (800) 793-7846



WARNING



Failure to follow these instructions could lead to death, personal injury, and / or property damage.

FASTENERS:

All Westin supplied fasteners must be utilized and installed in accordance with the installation instructions and apply torque to the specifications as defined. **DOUBLE CHECK ALL FASTENERS BEFORE INITIAL USE, AND PERIODICALLY IN THE FUTURE TO ENSURE PROPER FUNCTION AND SAFETY.**

DRILLING:

Most Westin products do not require drilling for installation. If drilling is defined as required, use caution when drilling a vehicle. **FAILURE TO REVIEW AN AREA TO BE DRILLED MAY RESULT IN PERSONAL INJURY AND/OR INJURY TO OTHERS AS WELL AS VEHICLE DAMAGE.**

EYE PROTECTION:

ALWAYS WEAR SAFETY GLASSES OR GOGGLES DURING THE INSTALLATION PROCESS TO AVOID PERSONAL INJURY.

MAXIMUM TOWING/CARRYING CAPACITY:

The Westin Receiver Hitches will have a visible tow rating label affixed directly on the product. User should never exceed the vehicle manufacturers maximum tow and weight rating regardless of the capacity of the hitch. **FAILURE TO FOLLOW THESE GUIDELINES WILL VOID THE WESTIN WARRANTY AND MAY RESULT IN PERSONAL INJURY AND/OR INJURY TO OTHERS AS WELL AS VEHICLE DAMAGE.**