



SIGNATURE OF QUALITY

AUTOMOTIVE PRODUCTS, INC.

INSTALLATION INSTRUCTIONS

Platinum Oval Step Bar Set

APPLICATION: 2014+ Chevrolet Silverado 1500 & GMC Sierra 1500 Double & Crew Cab
2015+ Chevrolet Silverado 2500/3500 & GMC Sierra 2500/3500 Double & Crew Cab

Part Numbers: 21-3810, 21-3815, 21-3820, 21-3825, 21-3850, 21-3855, 21-3860, 21-3865

ITEM	QUANTITY	DESCRIPTION	TOOLS NEEDED
1	1	DRIVER SIDE STEP BAR (CLEAR WRAPPING)	RATCHET
2	1	PASSENGER SIDE STEP BAR (PINK WRAPPING)	3/4" SOCKET
3	2	FRONT MOUNTING BRACKET	21MM SOCKET
4	1	DRIVER SIDE CENTER MOUNTING BRACKET	5MM HEX KEY (INCLUDED)
5	1	PASSENGER SIDE CENTER MOUNTING BRACKET	
6	2	REAR MOUNTING BRACKET	TORQUE WRENCH
7	4	1/2" X 2" HEX CAP SCREW	
8	4	1/2" SPLIT LOCK WASHER	
9	4	1/2" FLAT WASHER	
10	4	M10 X 35MM BUTTOM HEAD CAP SCREW	
11	4	M10 INTERNAL TOOTHED LOCK WASHER	
12	4	M10 FLAT WASHER	

1. Remove contents from box, verify if all parts listed are present and free from damage. Carefully read and understand all instructions before attempting installation.
2. Start installation at the driver side. Locate the front cab mount. Remove the M14 body mount bolt from the cab mount. Install the front mounting bracket with the factory washer on the top side of the bracket. Do not fully tighten at this time. FIGURE 2
3. Repeat step 2 for the driver side center mounting bracket & the rear mounting bracket. Do not interchange the body mount bolts. They are sized specifically to each location.
4. Attach the driver side step bar assembly to the front mounting bracket using the provided 1/2" fasteners. Repeat the same for the rear mount.
5. The center mounting bracket is attached to the step bar using the provided (x2) M10 button head screws, (x2) lock washers, then (x2) flat washers.
6. Align the step bar as desired. The slots in the mounting brackets allow in & out adjustment.
7. The recommended torque values for each fastener type are as follows. M14 body mount bolts to 95 ft-lbs, 1/2" fasteners to 65 ft-lbs, and the M10 fasteners to 30 ft-lbs.

CARE INSTRUCTIONS

- REGULAR WAXING IS RECOMMENDED. DO NOT USE ANY TYPE OF POLISH OR WAX THAT MAY CONTAIN ABRASIVES
- STAINLESS STEEL PRODUCTS CAN BE CLEANED WITH MILD SOAP AND WATER. STAINLESS STEEL POLISH SHOULD BE USED TO POLISH SMALL SCRATCHES.
- GLOSS BLACK FINISHES SHOULD BE CLEANED WITH MILD SOAP AND WATER



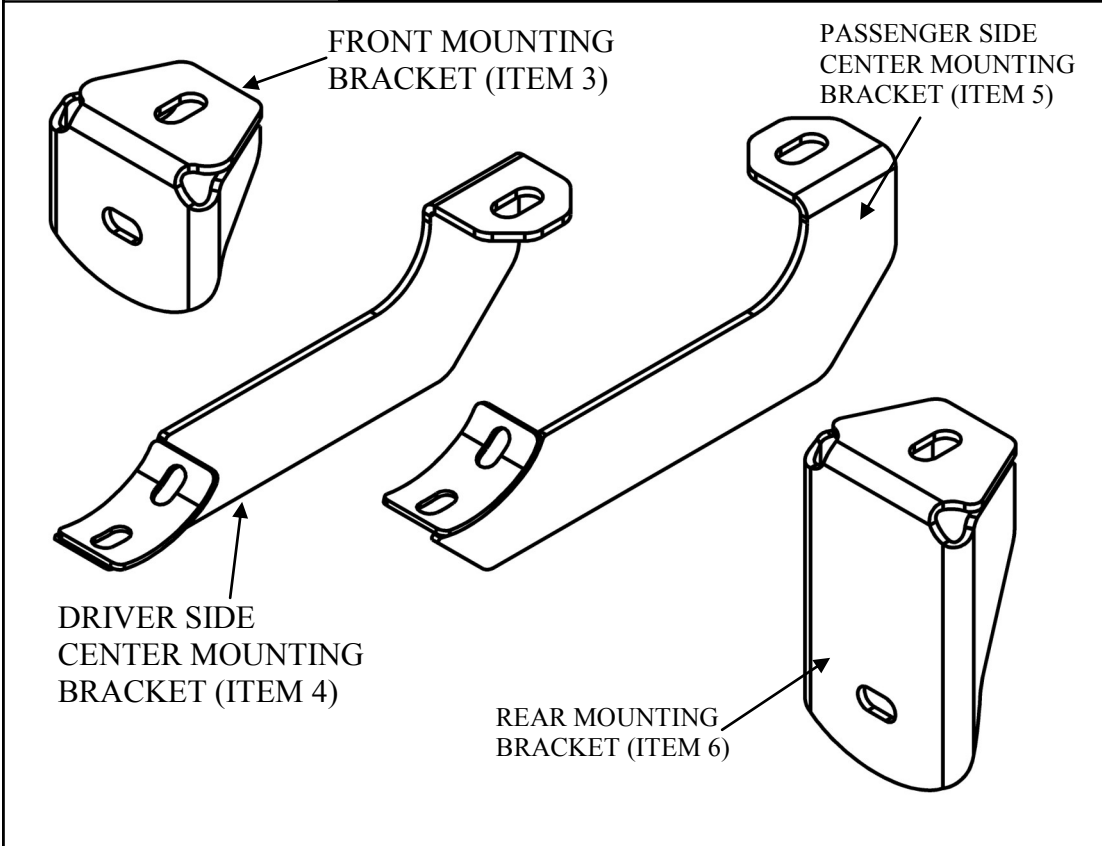
Westin Automotive Products, Inc.
320 Covina Blvd
San Dimas, Ca. 91773

Thank You for choosing Westin products
For Additional installation assistance please call
Customer service (800) 793-7846

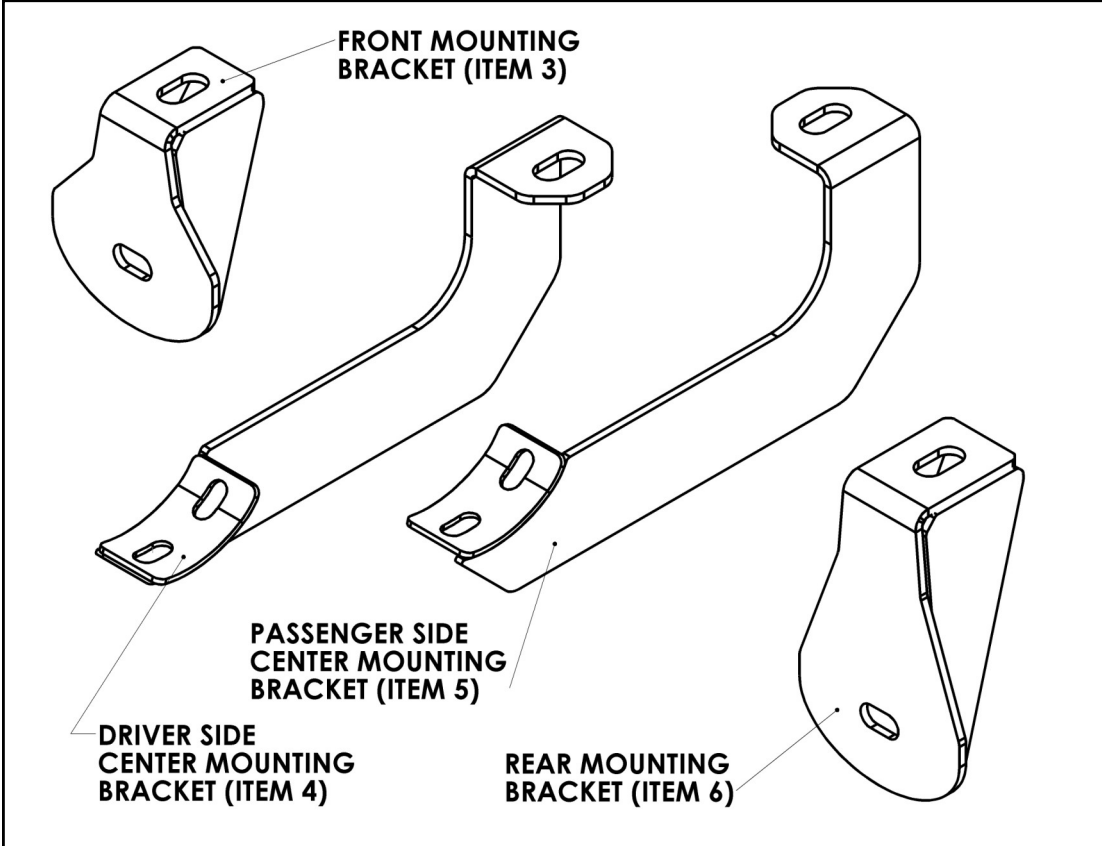
www.westinautomotive.com

1500 MODELS

FIGURE 1



2500/3500 MODELS



Westin Automotive Products, Inc.
 320 Covina Blvd
 San Dimas, Ca. 91773

Thank You for choosing Westin products
 For Additional installation assistance please call
 Customer service (800) 793-7846
www.westinautomotive.com

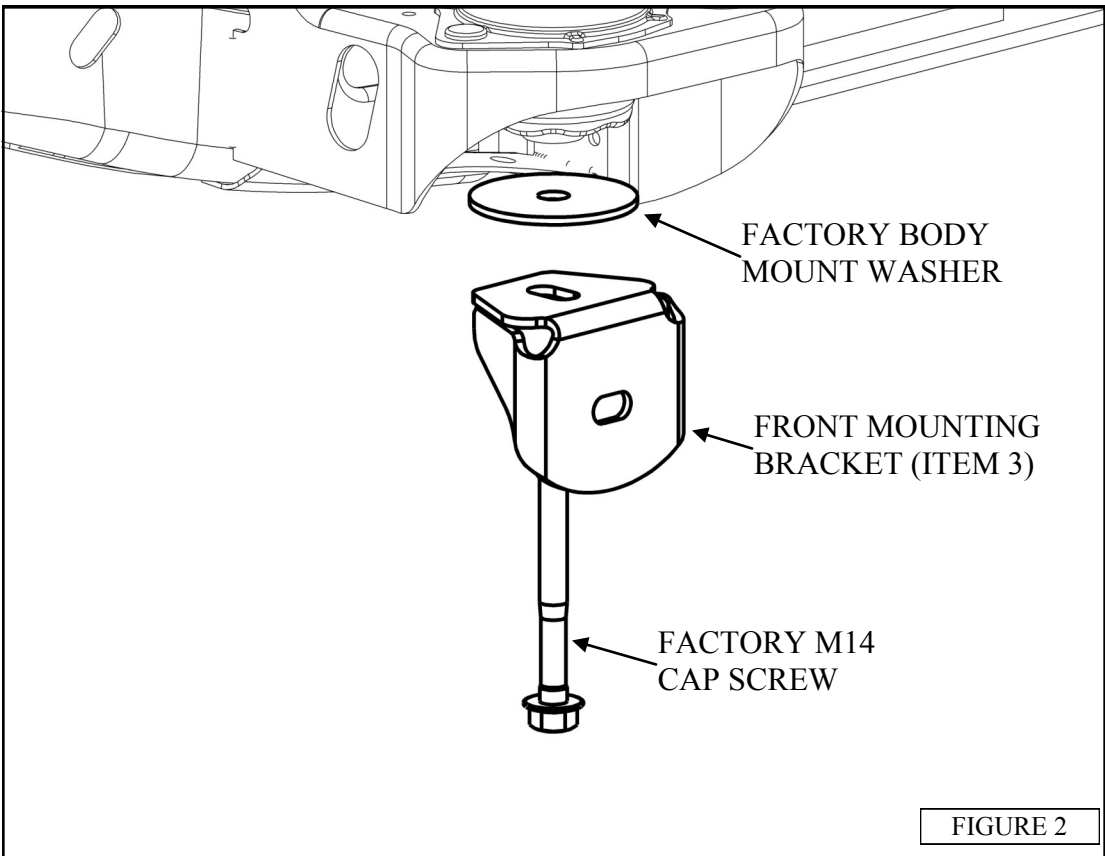


FIGURE 2

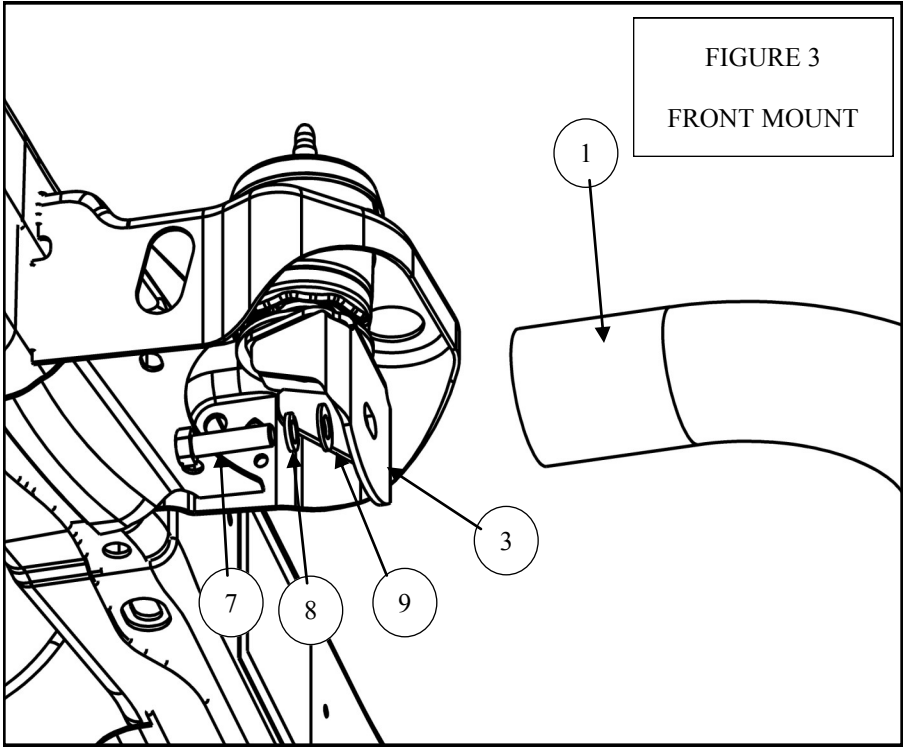
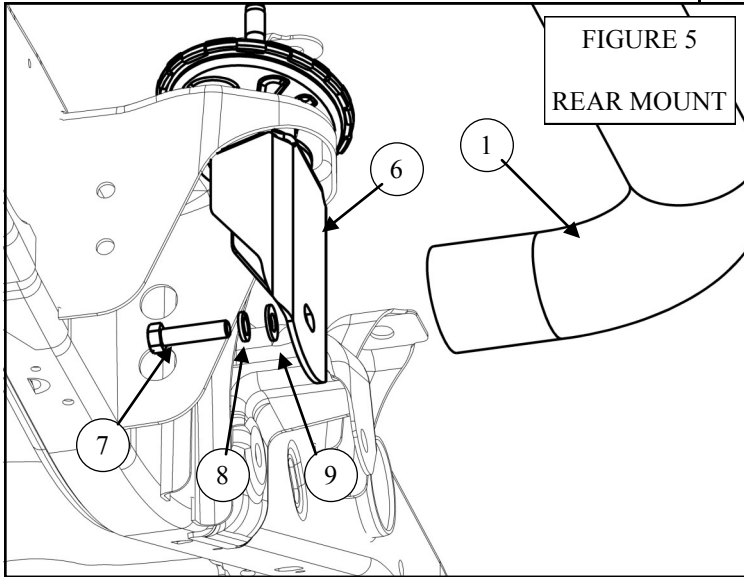
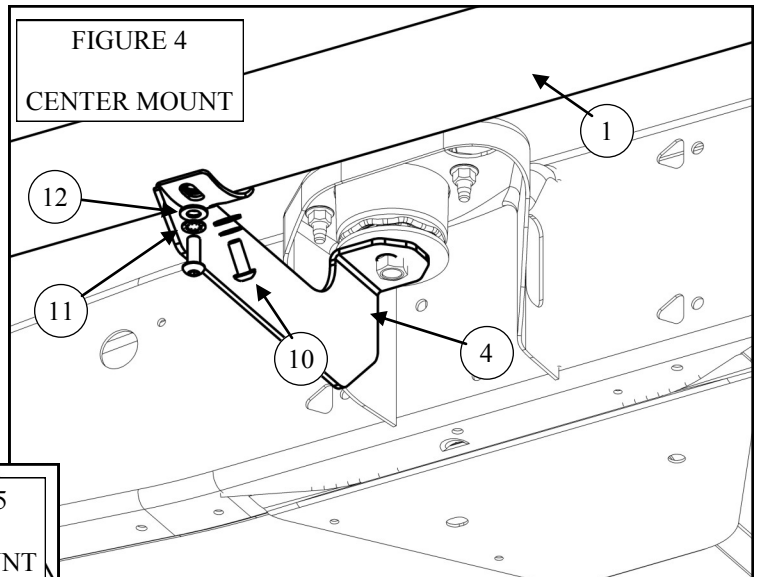


FIGURE 3
FRONT MOUNT



Westin Automotive Products, Inc.
320 Covina Blvd
San Dimas, Ca. 91773

Thank You for choosing Westin products
For Additional installation assistance please call
Customer service (800) 793-7846
www.westinautomotive.com



Westin Automotive Products, Inc.
 320 Covina Blvd
 San Dimas, Ca. 91773

Thank You for choosing Westin products
 For Additional installation assistance please call
 Customer service (800) 793-7846
www.westinautomotive.com