



SIGNATURE OF QUALITY

AUTOMOTIVE PRODUCTS, INC.

INSTALLATION INSTRUCTIONS

SIGNATURE & PLATINUM SERIES STEP BARS

APPLICATION: 2014+ CHEVROLET SILVERADO / GMC SIERRA 1500 REGULAR CAB
2015+ CHEVROLET SILVERADO / GMC SIERRA 2500HD/3500HD REGULAR CAB
APPLICATION PART #: 25-3800/05 & 26-3800
25-3840/45 & 26-3840

ITEM	QUANTITY	DESCRIPTION	TOOLS NEEDED
1	1	DRIVER SIDE STEP BAR	21MM SOCKET
2	1	PASSENGER SIDE STEP BAR	3/4" SOCKET
3	4	MOUNTING BRACKET	RATCHET
4	4	1/2" X 2" HEX CAP SCREW	TORQUE WRENCH
5	4	1/2" SPLIT LOCK WASHER	
6	4	1/2" FLAT WASHER	

ANTI-SEIZE LUBRICANT MUST BE USED ON ALL STAINLESS STEEL FASTENERS TO PREVENT THREAD DAMAGE AND GALLING

1. Remove contents from box, verify if all parts listed are present and free from damage. Carefully read and understand all instructions before attempting installation.
2. Remove the front driver side cab mount bolt. Assemble one mounting bracket at that location as is shown on figure 1. Do not fully tighten at this time. Repeat for rear cab mount.
3. Attach the driver side step bar to the installed mounting brackets using the supplied 1/2" hex cap screws, split lock washers, and flat washers at each end. Do not fully tighten at this time. Figure 2 & 3
4. Align the step bar and mounting brackets as desired. Tighten the M14 cab mount bolts to 75-80 lbs-ft. Tighten the 1/2" fasteners to 55-60 lbs-ft.
5. Repeat instructions 2-4 for passenger side.

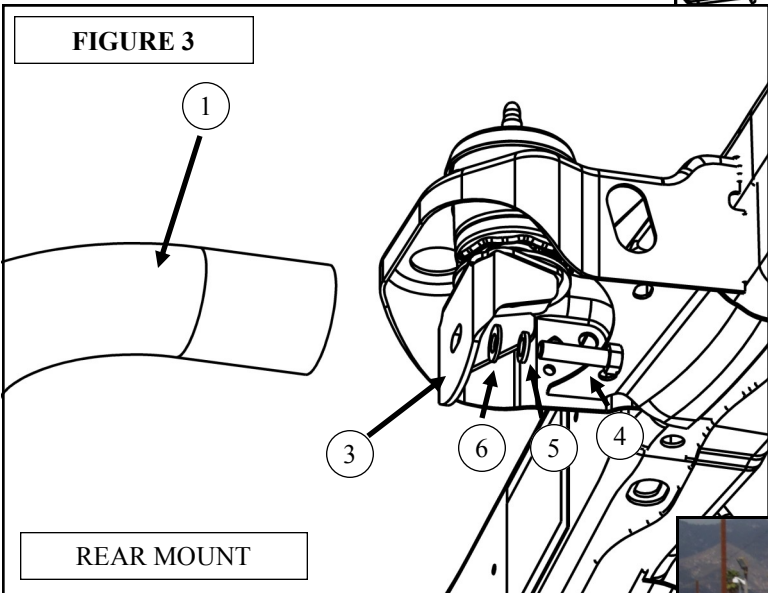
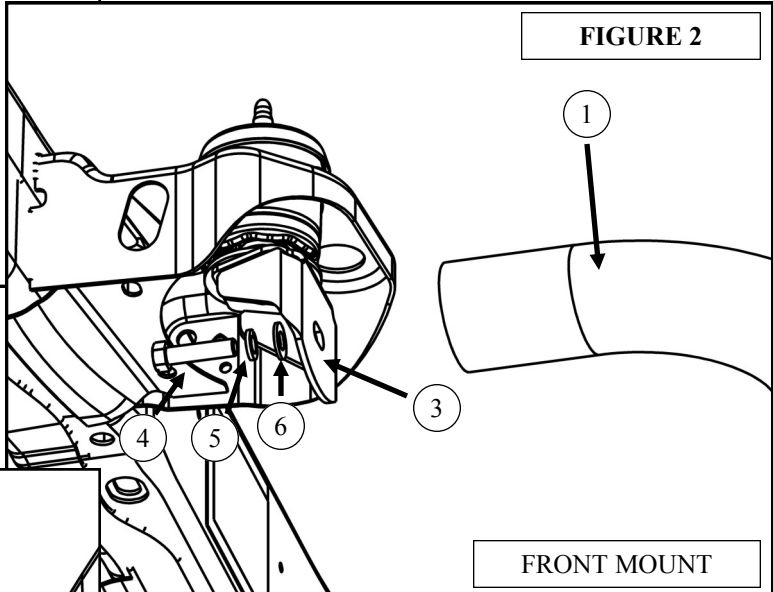
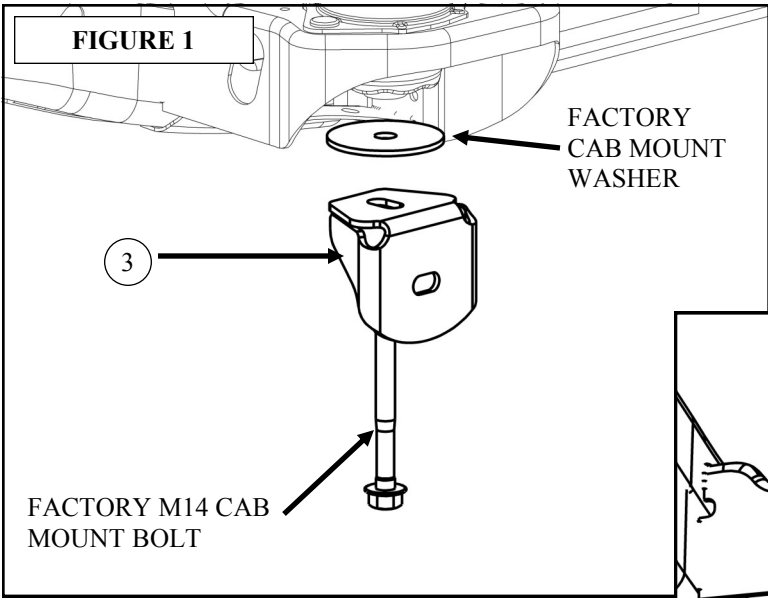
CARE INSTRUCTIONS

- REGULAR WAXING IS RECOMMENDED. DO NOT USE ANY TYPE OF POLISH OR WAX THAT MAY CONTAIN ABRASIVES
- STAINLESS STEEL PRODUCTS CAN BE CLEANED WITH MILD SOAP AND WATER. STAINLESS STEEL POLISH SHOULD BE USED TO POLISH SMALL SCRATCHES.
- GLOSS BLACK FINISHES SHOULD BE CLEANED WITH MILD SOAP AND WATER



Westin Automotive Products, Inc.
320 Covina Blvd
San Dimas, Ca. 91773

Thank You for choosing Westin products
For Additional installation assistance please call
Customer service (800) 793-7846
www.westinautomotive.com



Westin
 SIGNATURE OF QUALITY

Westin Automotive Products, Inc.
 320 Covina Blvd
 San Dimas, Ca. 91773

Thank You for choosing Westin products
 For Additional installation assistance please call
 Customer service (800) 793-7846
www.westinautomotive.com
 DATE: 4/9/2014