

INSTALLATION INSTRUCTIONS

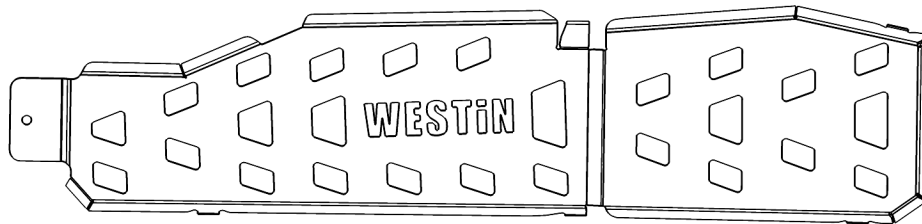
GAS TANK SKID PLATE



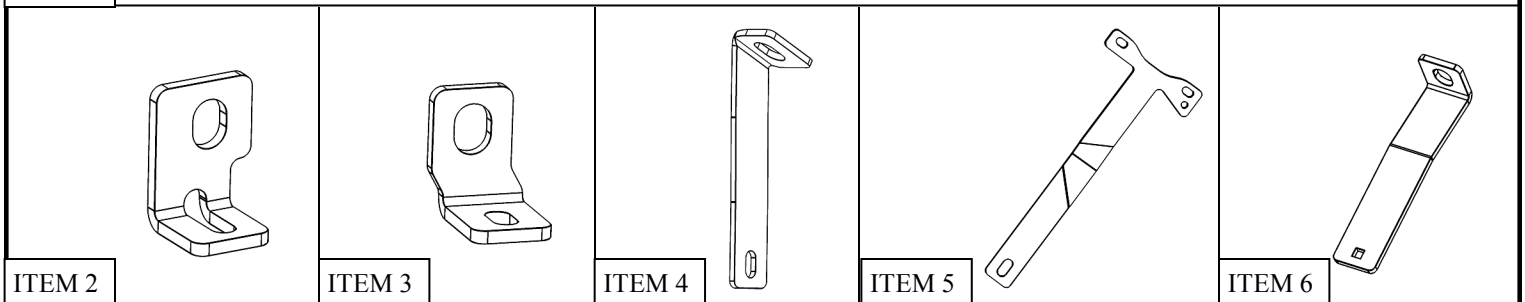
APPLICATION:
2018-2019 Jeep Wrangler JL Unlimited 4dr (Excl. 2018 JK)
PART NUMBER:
42-21115

CONTENT			
ITEM	QUANTITY	DESCRIPTION	TOOLS NEEDED
1	1	SKID PLATE	16MM SOCKET
2	1	BRACKET A	16MM WRENCH
3	1	BRACKET B	10MM SOCKET
4	1	BRACKET C	RATCHET
5	1	BRACKET D	TORQUE WRENCH
6	1	BRACKET E	
7	5	M8 PLASTIC RETAINER SQUARE	
8	5	M8 SPLIT LOCK WASHER	
9	5	M8 FLAT WASHER	
10	5	M8 HEX NUT	
11	5	M8 CARRIAGE BOLT	
12	2	M6 HEX HEAD CAP SCREW	
13	2	M6 FLAT WASHER	
14	2	M6 SPLIT LOCK WASHER	
15	2	M6 SERRATED FLANGE NUT	

ANTI-SEIZE LUBRICANT MUST BE USED ON ALL STAINLESS STEEL FASTENERS TO PREVENT THREAD DAMAGE AND GALLING

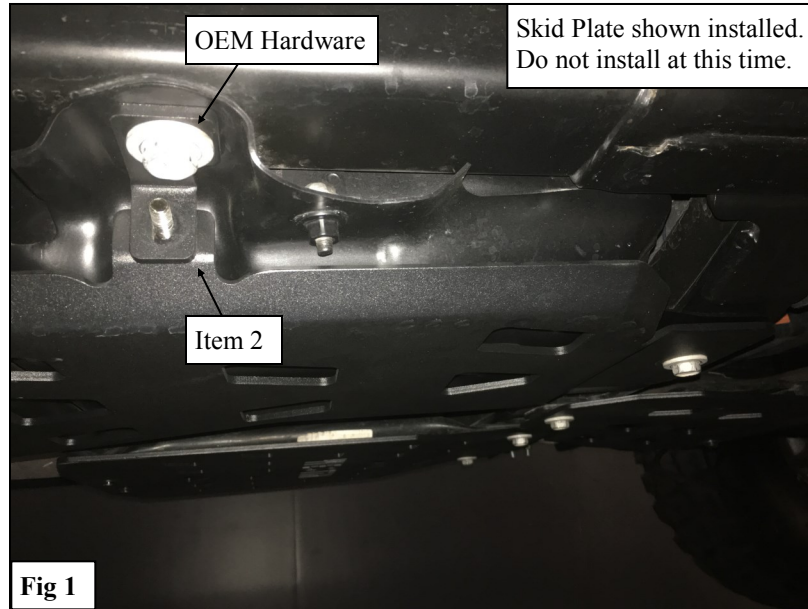


ITEM 1

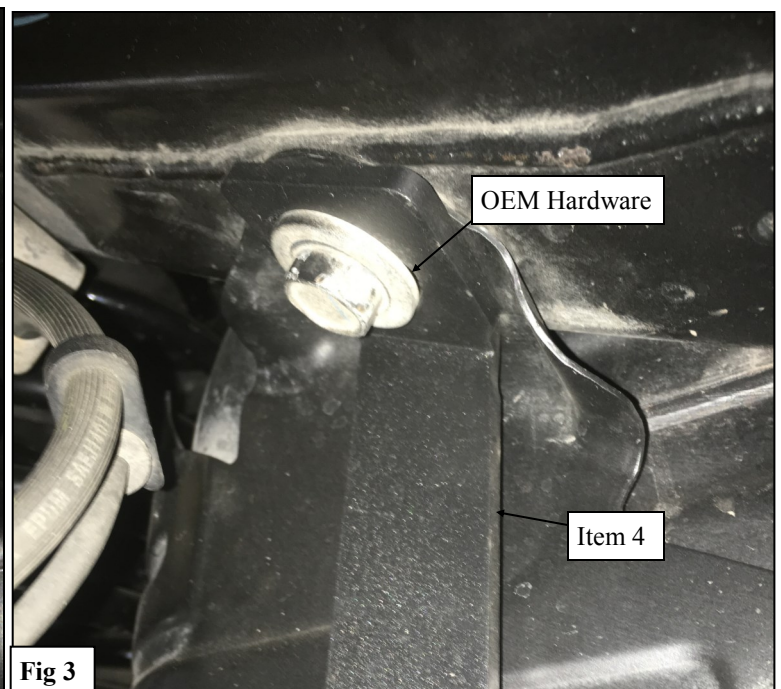
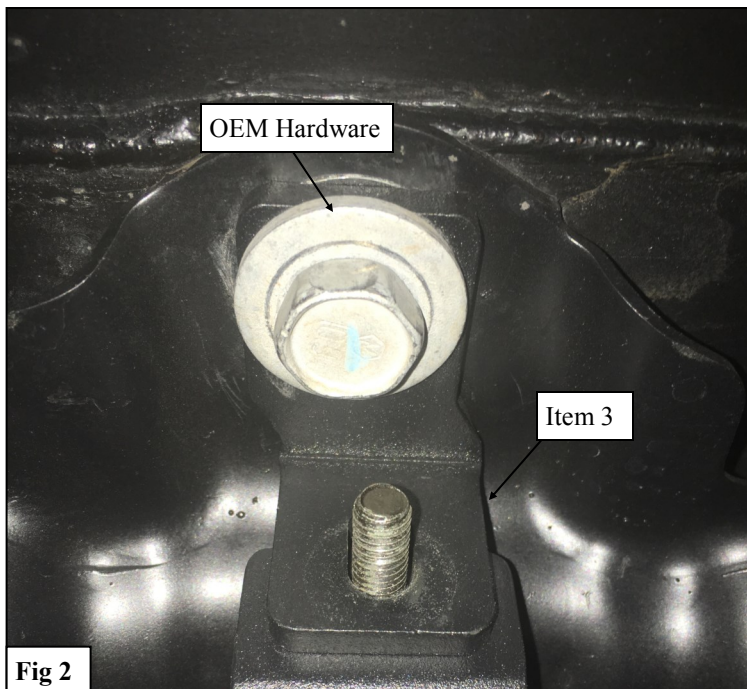


PROCEDURE

1. Remove contents from box, verify if all parts listed are present and free from damage. Carefully read and understand all instructions before attempting installation.
Failure to identify damage before installation could lead to a rejection of any claim.
2. Install Brackets (2-6) to vehicle before installing the Skid Plate (1) to the Brackets (2-6).
3. Loosely install Bracket A (2) to the vehicle using the factory hardware. This will be installed on the passenger side front area of the gas tank. See **Figure 1**.



4. Loosely install Bracket B (3) to the passenger middle section of the gas tank using the OEM Hardware. See **Figure 2**.
5. Loosely install Bracket C (4) to the passenger rear section of the gas tank using the OEM Hardware. See **Figure 3**.



6. Loosely install Bracket D (5) to the driver side rear section of the gas tank using the supplied M6 Hardware. See **Figure 4**.
Note: Remove plastic clip from gas tank and insert into the hole in the bracket. See **Figure 4**.
7. Loosely install Bracket E (6) to the driver side middle area of the gas tank using the OEM Hardware. See **Figure 5**.

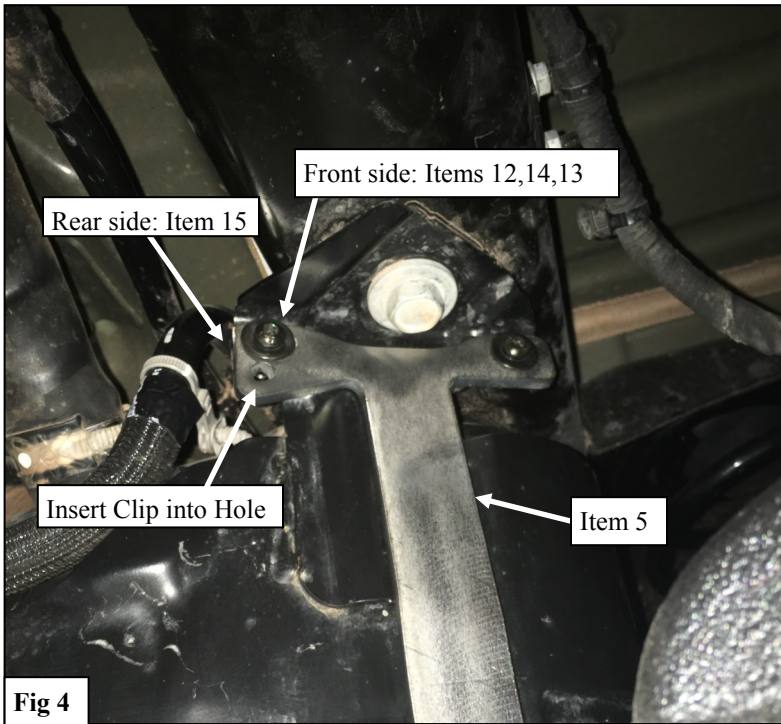
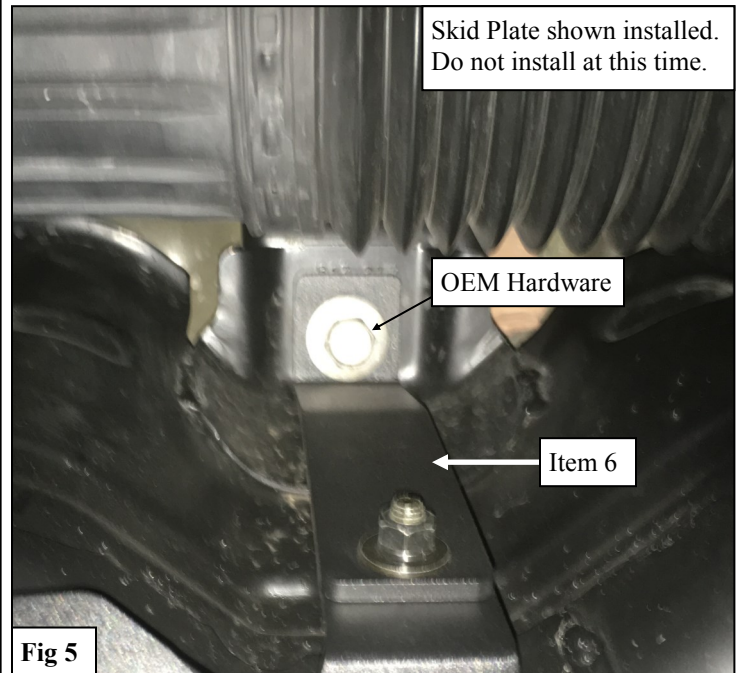


Fig 4



8. Use the OEM Hardware on the cross member located just in front of the gas tank to loosely attach the Skid Plate (1). See **Figure 6**.
9. Use the supplied M8 Hardware to attach the Skid Plate (1) to the Brackets (2-6) as shown in **Figures 7 & 8**.

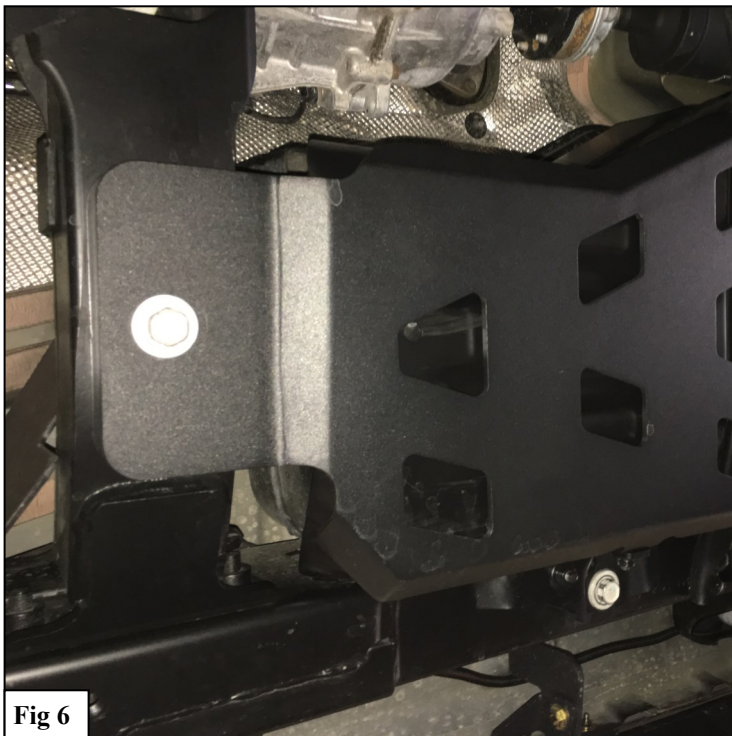
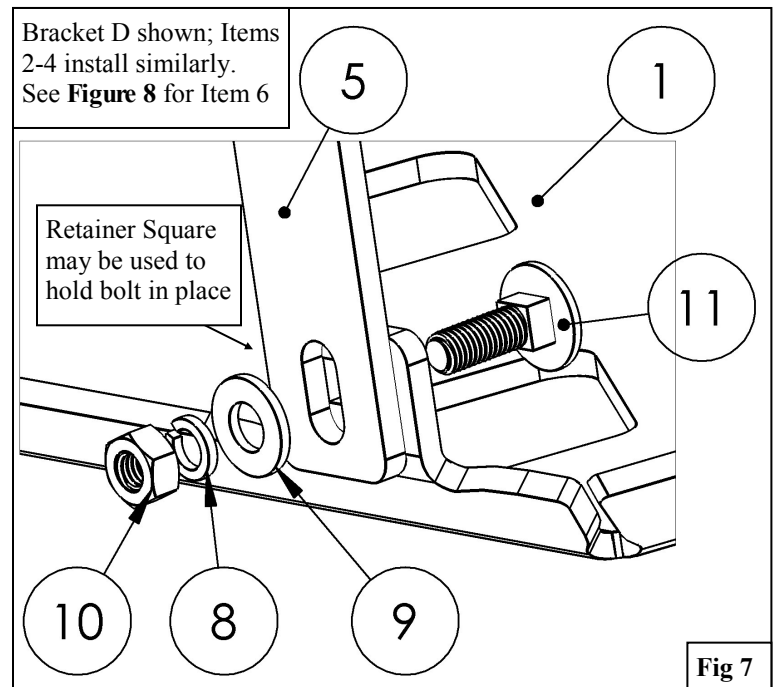
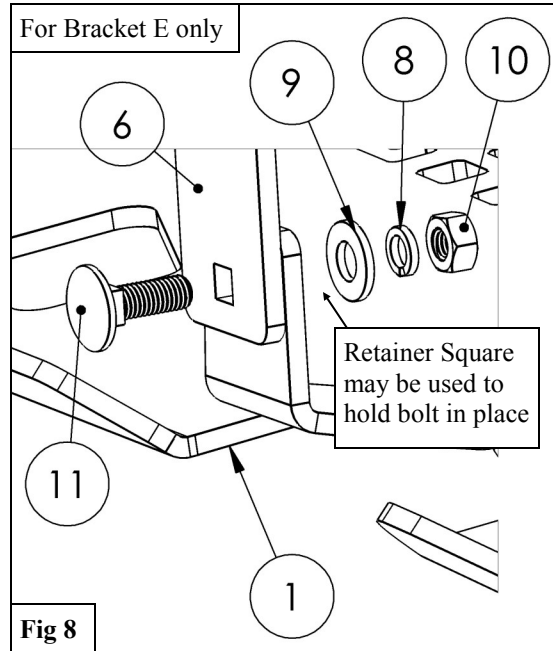


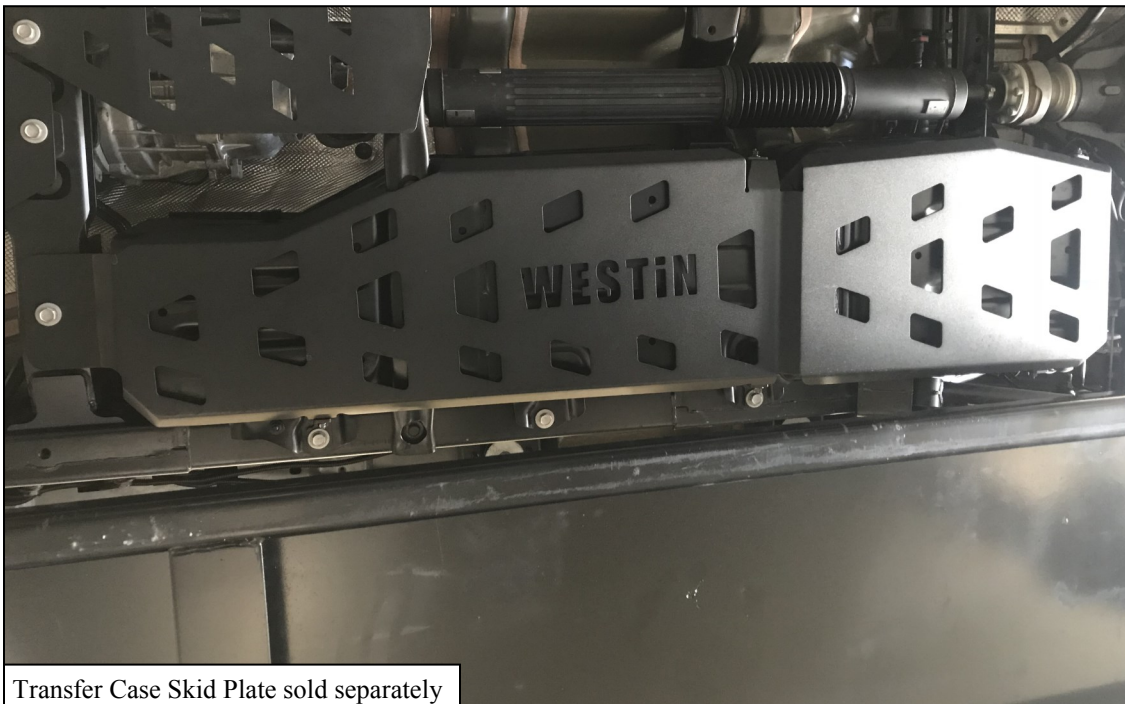
Fig 6



10. Torque all hardware: M6 to 8 ft-lbs, M8 to 18 ft-lbs.



INSTALLATION COMPLETE



CARE INSTRUCTIONS

- REGULAR WAXING IS RECOMMENDED. DO NOT USE ANY TYPE OF POLISH OR WAX THAT MAY CONTAIN ABRASIVES.
- STAINLESS STEEL PRODUCTS CAN BE CLEANED WITH MILD SOAP AND WATER. STAINLESS STEEL POLISH SHOULD BE USED TO POLISH SMALL SCRATCHES.
- GLOSS BLACK FINISHES SHOULD BE CLEANED WITH MILD SOAP AND WATER

WESTiN Westin Automotive Products, Inc.
320 W. Covina Blvd
San Dimas, Ca. 91773

Thank you for choosing Westin products
for additional installation assistance please call
Customer Service (800) 793-7846



WARNING



Failure to follow these instructions could lead to death, personal injury, and / or property damage.

Failure to follow these instructions could lead to death, personal injury, and / or property damage.

FASTENERS:

All Westin supplied fasteners must be utilized and installed in accordance with the installation instructions and apply torque to the specifications as defined. **DOUBLE CHECK ALL FASTENERS BEFORE INITIAL USE, AND PERIODICALLY IN THE FUTURE TO ENSURE PROPER FUNCTION AND SAFETY.**

DRILLING:

Most Westin products do not require drilling for installation. If drilling is defined as required, use caution when drilling a vehicle. **FAILURE TO REVIEW AN AREA TO BE DRILLED MAY RESULT IN PERSONAL INJURY AND/OR INJURY TO OTHERS AS WELL AS VEHICLE DAMAGE.**

EYE PROTECTION:

ALWAYS WEAR SAFETY GLASSES OR GOGGLES DURING THE INSTALLATION PROCESS TO AVOID PERSONAL INJURY.

MAXIMUM TOWING/CARRYING CAPACITY: (if applicable)

The Westin Receiver Hitches will have a visible tow rating label affixed directly on the product. User should never exceed the vehicle manufacturers maximum tow and weight rating regardless of the capacity of the hitch. **FAILURE TO FOLLOW THESE GUIDELINES WILL VOID THE WESTIN WARRANTY AND MAY RESULT IN PERSONAL INJURY AND/OR INJURY TO OTHERS AS WELL AS VEHICLE DAMAGE.**

FOR CALIFORNIA RESIDENTS ONLY-PROP 65 WARNING:

Some products may contain chemicals such as DEHP, which can cause cancer, birth defects or other reproductive harm. For more info go to www.p65warnings.ca.gov



Westin Automotive Products, Inc.
320 W. Covina Blvd
San Dimas, Ca. 91773