

INSTALLATION INSTRUCTIONS

HDX DEF SKID PLATE

APPLICATION:

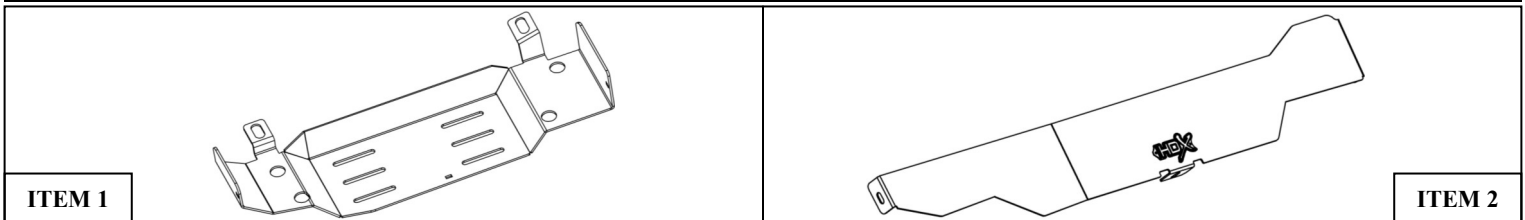
2017 Chevrolet Silverado / GMC Sierra 2500/3500 Diesel

PART NUMBER:

57-11005

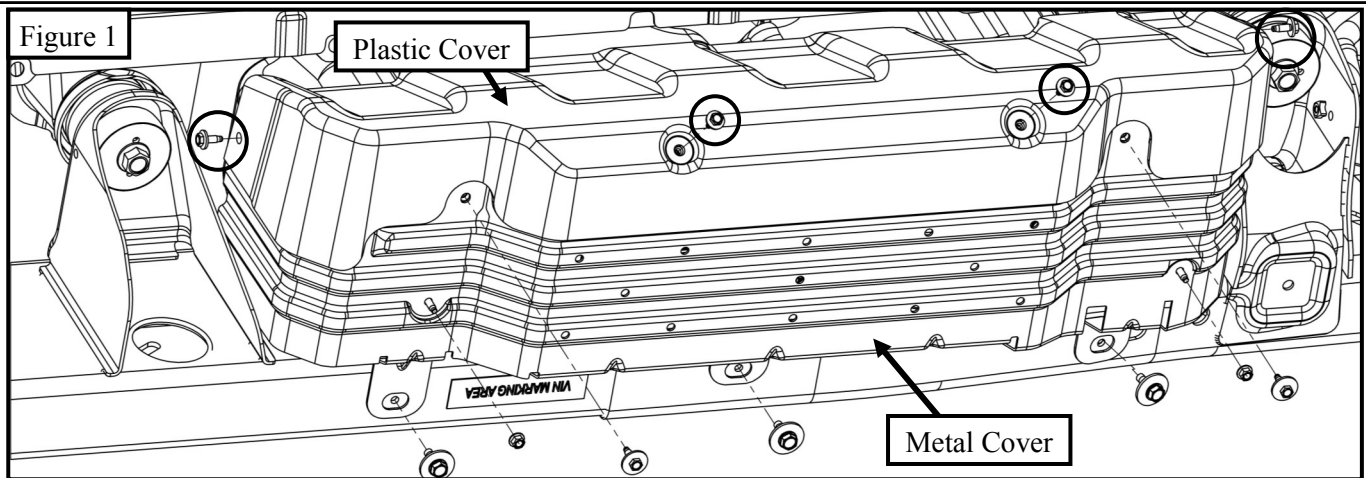
ITEM	QUANTITY	DESCRIPTION	TOOLS NEEDED
1	1	SKID PLATE	14MM WRENCH
2	1	FRONT SKID PLATE COVER	14MM SOCKET
3	3	M8 SPLIT LOCK WASHER (BLACK ZINC)	RATCHET EXT
4	3	M8 FLAT WASHER (BLACK ZINC)	RATCHET
5	3	M8 HEX NUT (BLACK ZINC)	TORQUE WRENCH
6	3	M8 ROUND HEAD SQUARE NECK (BLACK ZINC)	10 MM SOCKET
7	2	FLAT WASHER 16MM X 50MM X 3MM (BLACK ZINC)	
8	2	M6 HEX BOLT (BLACK ZINC)	
9	2	M6 SPLIT LOCK WASHER (BLACK ZINC)	
10	2	M6 FLAT WASHER (BLACK ZINC)	
11	2	RECTANGULAR PLATE (BLACK ZINC)	

ANTI-SEIZE LUBRICANT MUST BE USED ON ALL STAINLESS STEEL FASTENERS TO PREVENT THREAD DAMAGE AND GALLING



PROCEDURE

1. Remove contents from box, verify if all parts listed are present and free from damage. Carefully read and understand all instructions before attempting installation.
Failure to identify damage before installation could lead to a rejection of any claim.
2. Locate the DEF tank on the passenger side. Remove the factory DEF tank plastic cover first by removing circled hardware. Then remove rest of hardware to remove metal cover. Refer to **Figure 1**. **Note:** Factory hardware will be re-used.



3. Locate the Skid Plate (Item 1) and the Front Skid Plate Cover (Item 2) and secure using the provided M8 hardware (Items 3-6). Refer to **Figure 2**.
4. Align and adjust the skid plate with the front skid plate cover as necessary then torque the M8 hardware 15-18 ft-lbs.

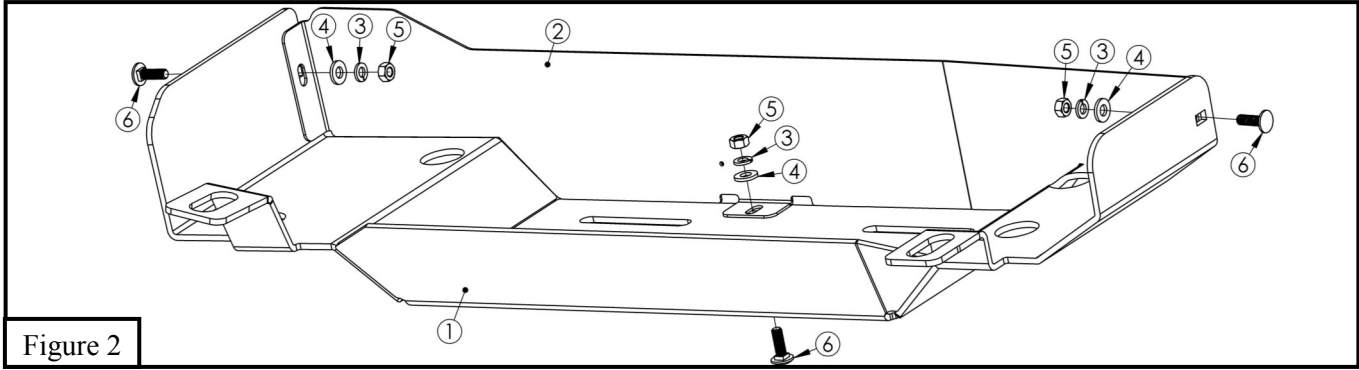


Figure 2

5. Loosely secure the skid plate onto the same location where the factory skid plate was removed using the factory M8 hardware along with the provided (2) flat washer (Item 7), M6 hardware (Items 8-10), and rect. spacer (Item 11) Refer to **Figure 3**.

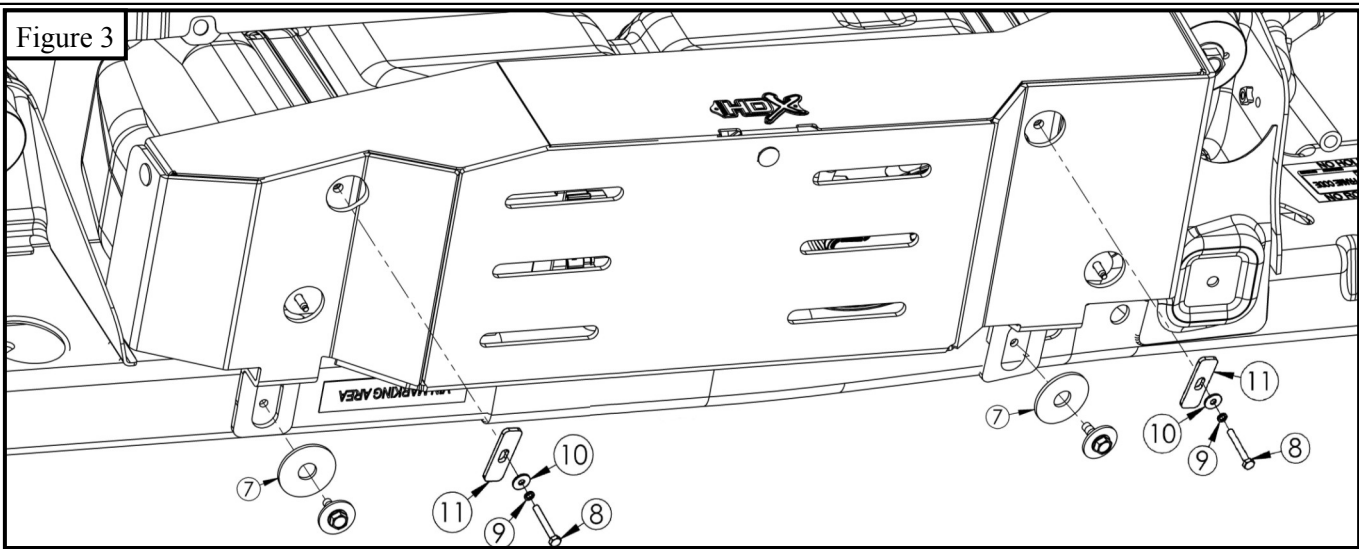


Figure 3

INSTALLATION COMPLETE



CARE INSTRUCTIONS

- REGULAR WAXING IS RECOMMENDED. DO NOT USE ANY TYPE OF POLISH OR WAX THAT MAY CONTAIN ABRASIVES.
- STAINLESS STEEL PRODUCTS CAN BE CLEANED WITH MILD SOAP AND WATER. STAINLESS STEEL POLISH SHOULD BE USED TO POLISH SMALL SCRATCHES.
- GLOSS BLACK FINISHES SHOULD BE CLEANED WITH MILD SOAP AND WATER.

WESTIN Westin Automotive Products, Inc.
320 W. Covina Blvd
San Dimas, Ca. 91773

Thank you for choosing Westin products
for additional installation assistance please call
Customer Service (800) 793-7846
www.westinautomotive.com



WARNING



Failure to follow these instructions could lead to death, personal injury, and / or property damage.

FASTENERS:

All Westin supplied fasteners must be utilized and installed in accordance with the installation instructions and apply torque to the specifications as defined. **DOUBLE CHECK ALL FASTENERS BEFORE INITIAL USE, AND PERIODICALLY IN THE FUTURE TO ENSURE PROPER FUNCTION AND SAFETY.**

DRILLING:

Most Westin products do not require drilling for installation. If drilling is defined as required, use caution when drilling a vehicle. **FAILURE TO REVIEW AN AREA TO BE DRILLED MAY RESULT IN PERSONAL INJURY AND/OR INJURY TO OTHERS AS WELL AS VEHICLE DAMAGE.**

EYE PROTECTION:

ALWAYS WEAR SAFETY GLASSES OR GOGGLES DURING THE INSTALLATION PROCESS TO AVOID PERSONAL INJURY.

MAXIMUM TOWING/CARRYING CAPACITY:

The Westin Receiver Hitches will have a visible tow rating label affixed directly on the product. User should never exceed the vehicle manufacturers maximum tow and weight rating regardless of the capacity of the hitch. **FAILURE TO FOLLOW THESE GUIDELINES WILL VOID THE WESTIN WARRANTY AND MAY RESULT IN PERSONAL INJURY AND/OR INJURY TO OTHERS AS WELL AS VEHICLE DAMAGE.**