

# INSTALLATION INSTRUCTIONS

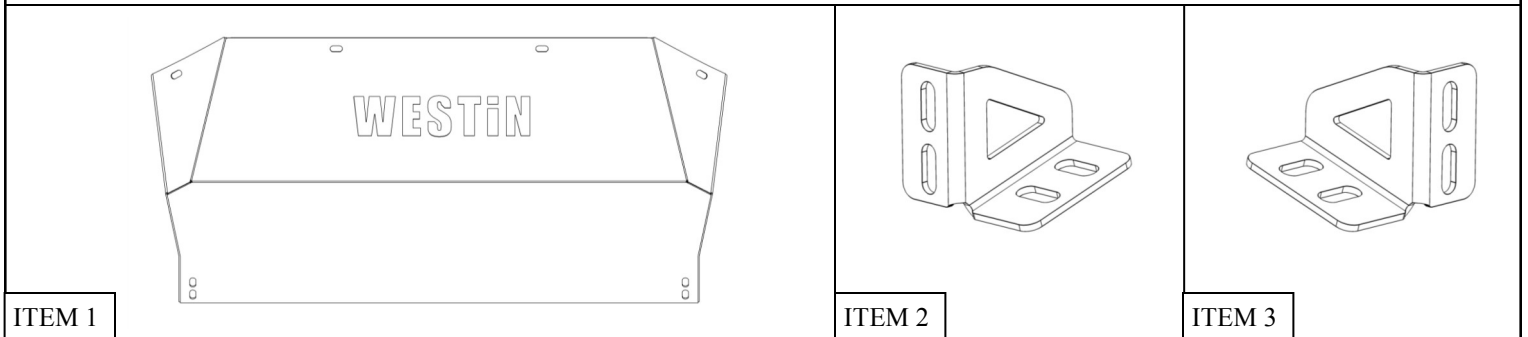
## OUTLAW BUMPER SKID PLATE



**APPLICATION:**  
2019 Ram 1500 (Excl. 2019 Ram 1500 Classic; Rebel)  
**PART NUMBER:**  
58-71075

| CONTENT |          |                         |               |
|---------|----------|-------------------------|---------------|
| ITEM    | QUANTITY | DESCRIPTION             | TOOLS NEEDED  |
| 1       | 1        | SKID PLATE              | 13MM SOCKET   |
| 2       | 1        | DRIVER FRAME BRACKET    | 13MM WRENCH   |
| 3       | 1        | PASSENGER FRAME BRACKET | 16MM SOCKET   |
| 4       | 4        | M8 U-CLIP               | 16MM WRENCH   |
| 5       | 4        | M8 BUTTON HEAD BOLT     | RATCHET       |
| 6       | 8        | M8 FLAT WASHER          | TORQUE WRENCH |
| 7       | 8        | M8 SPLIT LOCK WASHER    |               |
| 8       | 4        | M8 HEX NUT              |               |
| 9       | 4        | M10 BUTTON HEAD BOLT    |               |
| 10      | 4        | M10 FLAT WASHER         |               |
| 11      | 4        | M10 SPLIT LOCK WASHER   |               |
| 12      | 4        | M10 SERRATED FLANGE NUT |               |
|         |          |                         |               |

**ANTI-SEIZE LUBRICANT MUST BE USED ON ALL STAINLESS STEEL FASTENERS TO PREVENT THREAD DAMAGE AND GALLING**



## PROCEDURE

1. Remove contents from box, verify if all parts listed are present and free from damage.  
Carefully read and understand all instructions before attempting installation.  
**Failure to identify damage before installation could lead to a rejection of any claim.**
2. Attach the M8 U-Clips (4) to the pre-installed Outlaw Bumper (sold separately) in the locations shown in **Figure 1**.

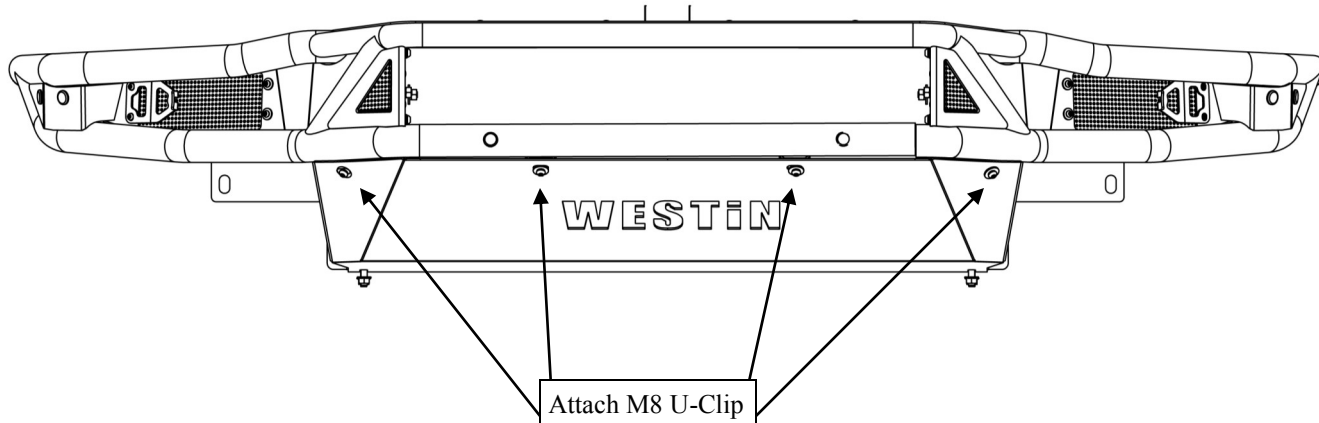


Fig 1

3. Install the Frame Brackets (2,3) to the studs that originally held the active valence using the supplied M8 flat washer, lock washer, and hex nut. See **Figure 2**.
4. Lift the Skid Plate (1) into place and secure it using the supplied M8 and M10 Hardware. See **Figures 3-5**.

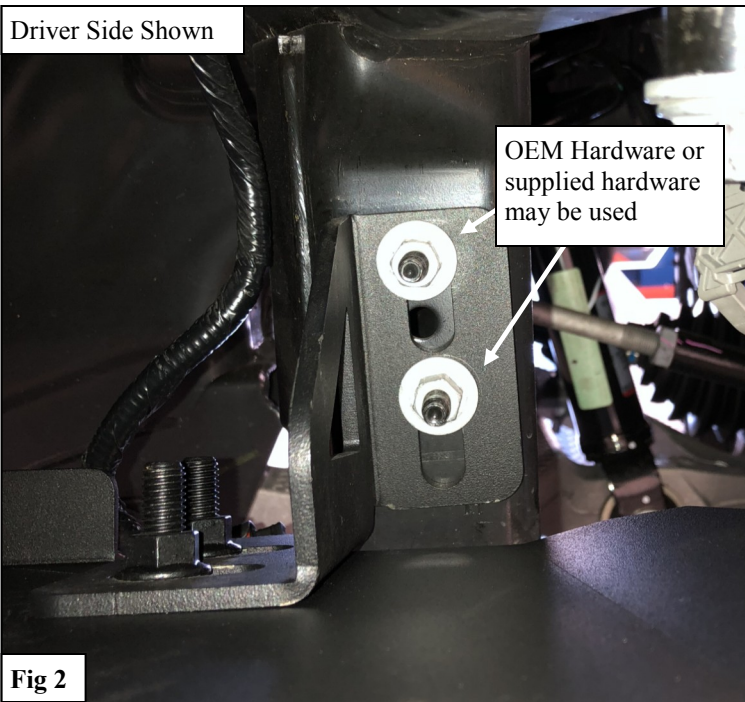


Fig 2

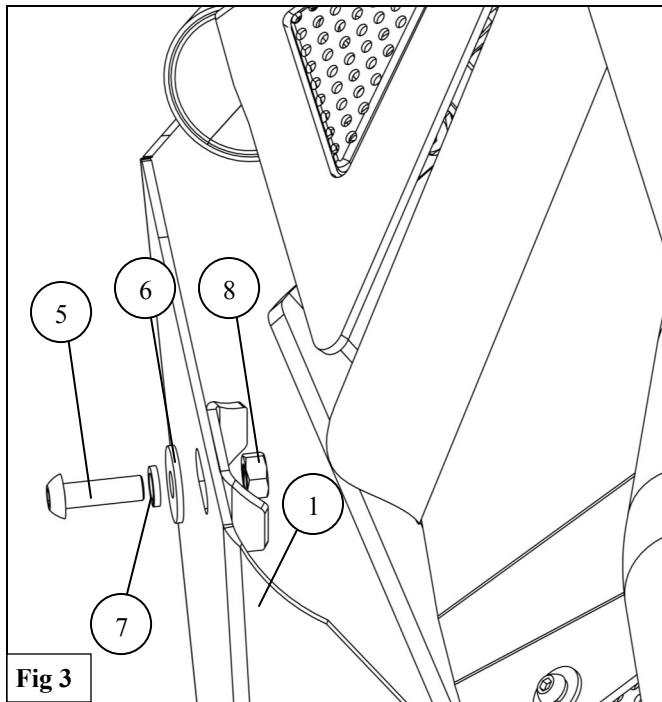


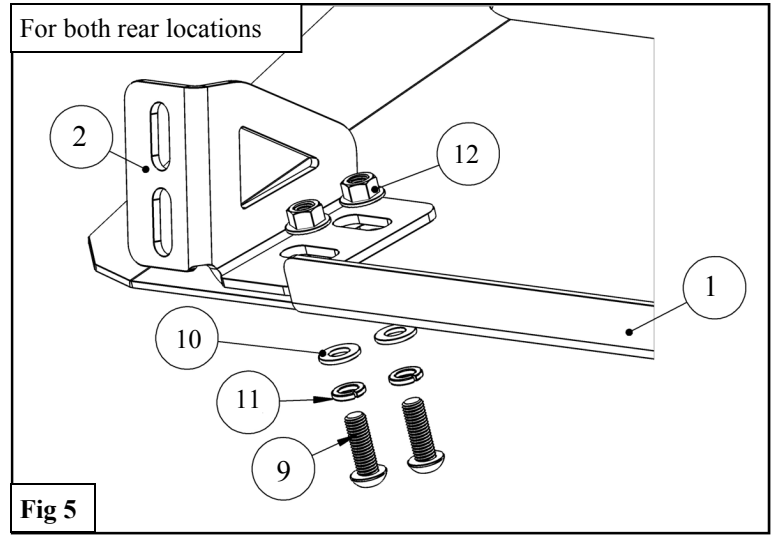
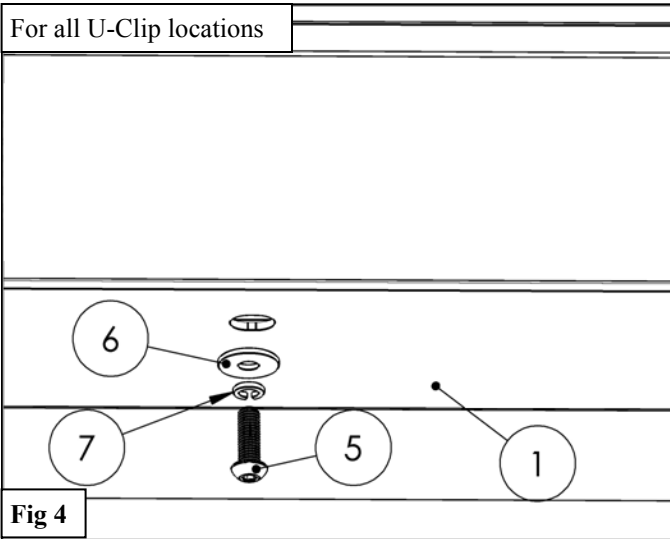
Fig 3

**WESTIN**

Westin Automotive Products, Inc.  
320 W. Covina Blvd  
San Dimas, Ca. 91773

Thank you for choosing Westin products  
for additional installation assistance please call  
Customer Service (800) 793-7846

[www.westinautomotive.com](http://www.westinautomotive.com)



5. Align and tighten all hardware as specified: M8 to 18 ft-lbs, M10 to 38 ft-lbs.

**INSTALLATION COMPLETE**



**CARE INSTRUCTIONS**

- REGULAR WAXING IS RECOMMENDED. DO NOT USE ANY TYPE OF POLISH OR WAX THAT MAY CONTAIN ABRASIVES.
- STAINLESS STEEL PRODUCTS CAN BE CLEANED WITH MILD SOAP AND WATER. STAINLESS STEEL POLISH SHOULD BE USED TO POLISH SMALL SCRATCHES.
- GLOSS BLACK FINISHES SHOULD BE CLEANED WITH MILD SOAP AND WATER

**WESTIN** Westin Automotive Products, Inc.  
320 W. Covina Blvd  
San Dimas, Ca. 91773

Thank you for choosing Westin products  
for additional installation assistance please call  
Customer Service (800) 793-7846  
www.westinautomotive.com  
DATE: 05/20/19



## WARNING



Failure to follow these instructions could lead to death, personal injury, and / or property damage.

Failure to follow these instructions could lead to death, personal injury, and / or property damage.

### FASTENERS:

All Westin supplied fasteners must be utilized and installed in accordance with the installation instructions and apply torque to the specifications as defined. **DOUBLE CHECK ALL FASTENERS BEFORE INITIAL USE, AND PERIODICALLY IN THE FUTURE TO ENSURE PROPER FUNCTION AND SAFETY.**

### DRILLING:

Most Westin products do not require drilling for installation. If drilling is defined as required, use caution when drilling a vehicle. **FAILURE TO REVIEW AN AREA TO BE DRILLED MAY RESULT IN PERSONAL INJURY AND/OR INJURY TO OTHERS AS WELL AS VEHICLE DAMAGE.**

### EYE PROTECTION:

**ALWAYS WEAR SAFETY GLASSES OR GOGGLES DURING THE INSTALLATION PROCESS TO AVOID PERSONAL INJURY.**

### MAXIMUM TOWING/CARRYING CAPACITY: (if applicable)

The Westin Receiver Hitches will have a visible tow rating label affixed directly on the product. User should never exceed the vehicle manufacturers maximum tow and weight rating regardless of the capacity of the hitch. **FAILURE TO FOLLOW THESE GUIDELINES WILL VOID THE WESTIN WARRANTY AND MAY RESULT IN PERSONAL INJURY AND/OR INJURY TO OTHERS AS WELL AS VEHICLE DAMAGE.**

### FOR CALIFORNIA RESIDENTS ONLY-PROP 65 WARNING:

Some products may contain chemicals such as DEHP, which can cause cancer, birth defects or other reproductive harm. For more info go to [www.p65warnings.ca.gov](http://www.p65warnings.ca.gov)



Westin Automotive Products, Inc.  
320 W. Covina Blvd  
San Dimas, Ca. 91773