

REAR FENDER FLARES INSTALLATION INSTRUCTIONS

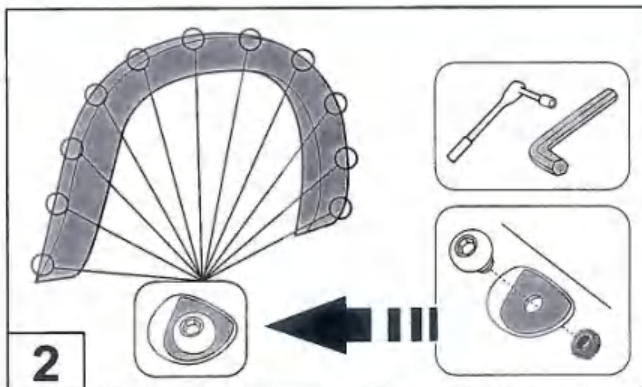


1

Ensure that both left and right hand Fender Flares suit the profile of the vehicle. Note the areas where the Fender Flares come in contact with the vehicle. **NOTE:** Before fitting Fender Flares remove any mouldings, strips or existing flares from the wheel arch. If there is a body side moulding, mark where the moulding is to be cut, alternatively the Fender Flares can be cut to go around the moulding. Be sure to allow enough room for the extrusion.

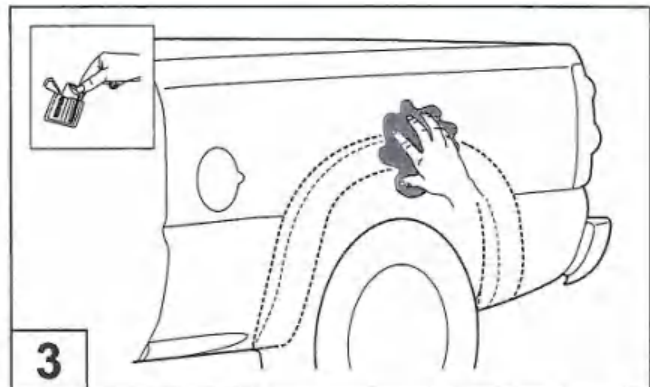
PAINTING INSTRUCTIONS – If Fender Flares are being painted, do not install edge extrusion until painting is complete. Prior to painting, clean all surfaces to be painted using clean water and a mild detergent, do not use lacquer thinner or any solvent based products. Wipe completely dry. Best results will be achieved by wiping the areas to be painted with a tack rag just prior to painting. Most automotive paints can be applied directly to the Fender Flares, however some may require a primer (check paint manufacturer specifications). Good adhesion will be achieved without sanding. Select a paint (and primer if necessary) that is suitable for rigid plastics PMMA (Acrylic). If using a paint system which requires baking, do not expose the product to temperatures above 70°C (158°F). Do not fit the extrusion or any of the hardware to the Fender Flares until the paint is completely dry.

IMPORTANT: For bolt-on Fender Flares proceed to **Step 2**. For rugged Fender Flares proceed to **Step 3**.



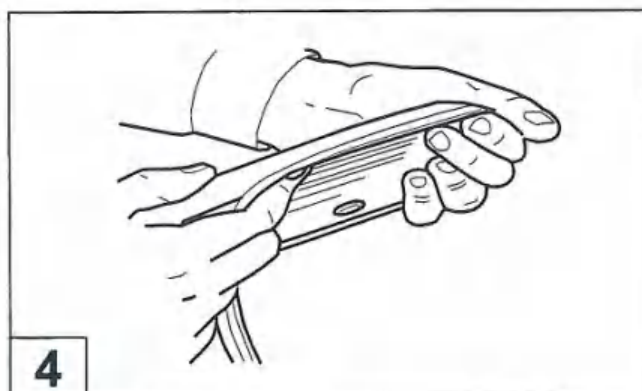
2

Attach 11 bolts to each Fender Flare using a 3/16" Allen key and a 1/2" wrench/socket. (wrench/socket and Allen key not supplied)



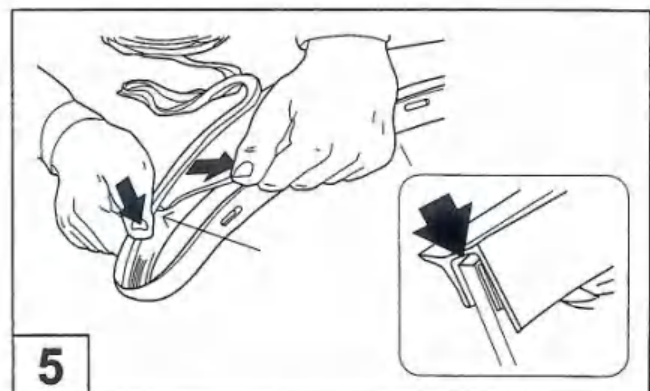
3

Wash the areas of contact on the vehicle and wipe dry both the vehicle and the Fender Flares with a clean cloth. Ensure inside of Fender Flares where extrusion is attached is clean, use alcohol wipe supplied to clean surface.



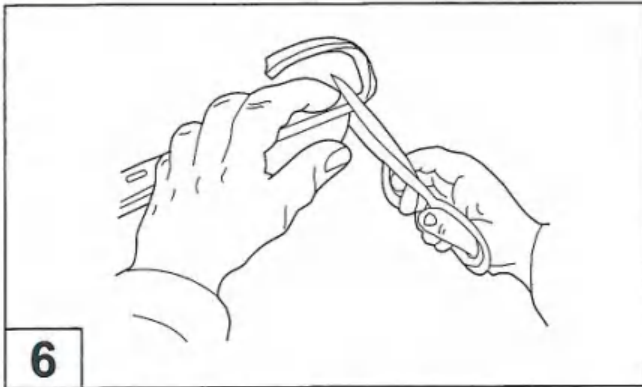
4

Remove approximately 2" (50mm) of the protective liner from the extrusion. Fit the extrusion to the Fender Flare along the edge that comes in contact with the vehicle's body panel.



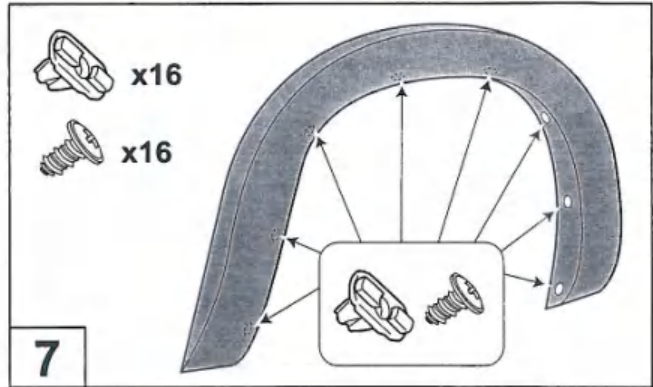
5

Pulling at right angles to the extrusion, remove the liner from the extrusion in small portions and apply thumb pressure to ensure that it adheres to the Fender Flares.



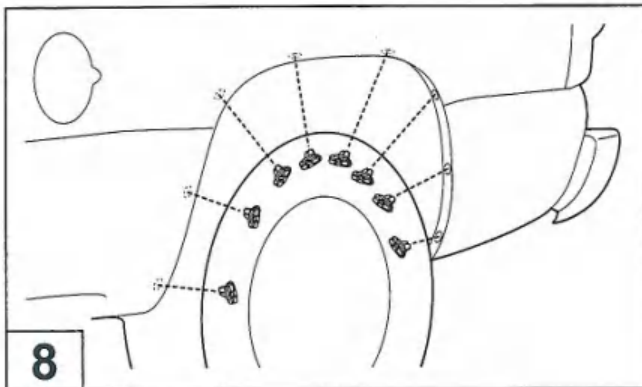
6

Trim any unnecessary extrusion and discard.



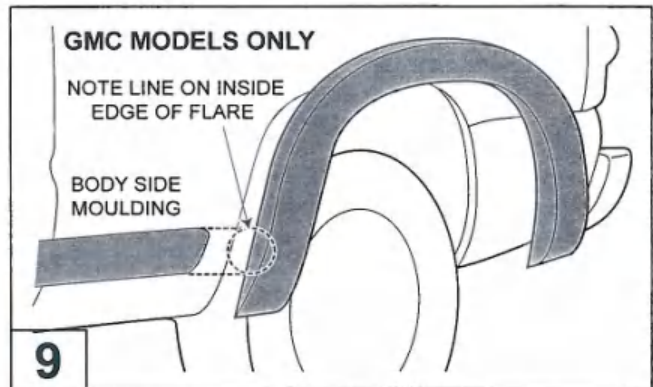
7

Ensure that all of the correct hardware is in the hardware kit. Note correct hardware positions.



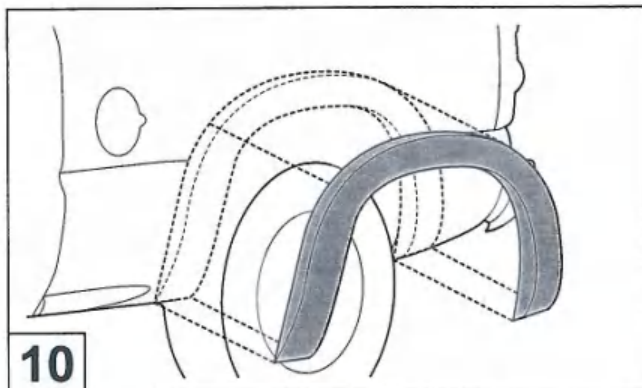
8

Install the supplied screw plugs into the existing slots as shown.



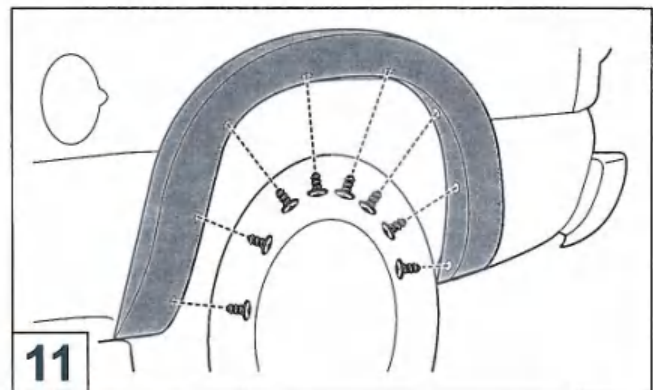
9

GMC MODELS ONLY
NOTE LINE ON INSIDE EDGE OF FLARE
BODY SIDE MOULDING
Note the moulded line on the inside edge of the Flender Flare corresponding to the body side moulding. Trim the Fender Flare to this line prior to installing. This is only necessary for GMC Yukon XL models.



10

Place the Fender Flare into the position of best fit.



11

Install the supplied screws through the Fender Flare into the previously installed screw plugs.

