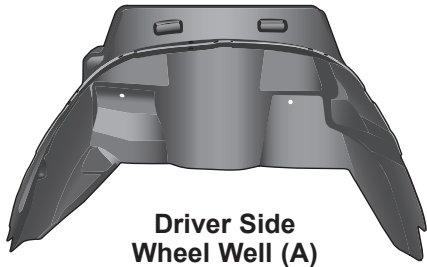
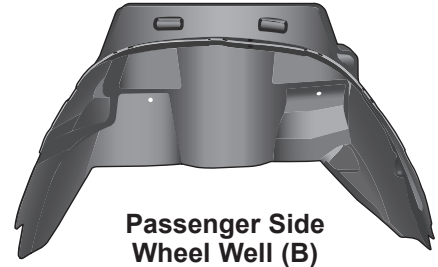


WHEEL WELL LINERS
RAM TRUCK
(With Sectional OEM Wheel Well Liners)



- LIST OF CONTENTS:**
(A) 1 - Driver Side Wheel Well
(B) 1 - Passenger Side Wheel Well

- LIK73 KIT:**
(C) 2 - Push Lock Pins



TOOLS REQUIRED:

- 5/16" socket / driver in steps 3-5 & 10.

TOOLS RECOMMENDED:

- Adhesive tape in step 4.

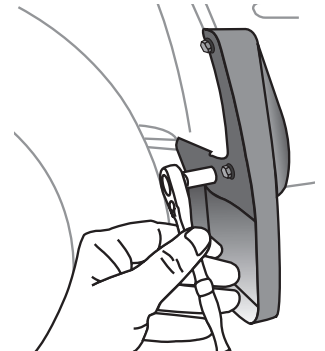
INSTALLATION INSTRUCTIONS

Installation Video available @ huskyliners.com/79211

1 PLEASE READ INSTRUCTIONS CAREFULLY BEFORE STARTING THE INSTALLATION. One person can perform the installation.

2 **VEHICLE PREPARATION:** It is important that all areas where the wheel wells mount are clean and free of debris prior to installing.

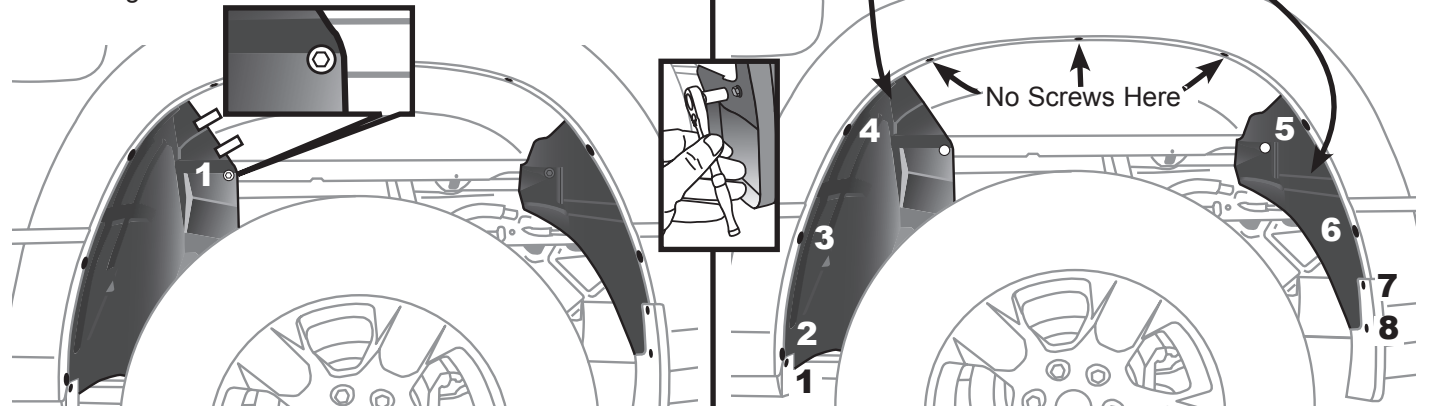
3 For Trucks with Mud Flaps: Remove mud flaps before installing wheel well liners. Then follow steps 4-11. After step 11, re-install mud flaps.



4 Start on the driver's side and locate factory Screw 1 that hold the front molding brackets to the sheet metal. (Remove and save the screw).

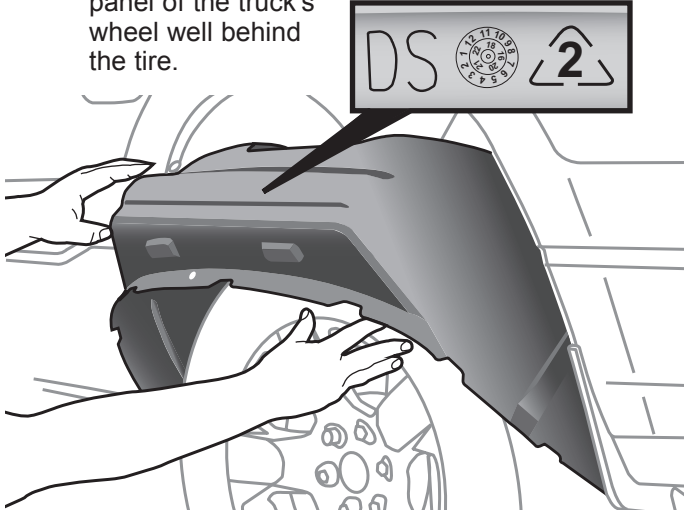
Tip: A piece of adhesive tape can be used to hold the plastic molding in place and keep holes aligned.

5 Sectional wheel well liners (shown below). Loosen factory fasteners 1-8 with a 5/16" socket and driver. (Loosen fasteners - do NOT remove). (Do NOT remove sections).

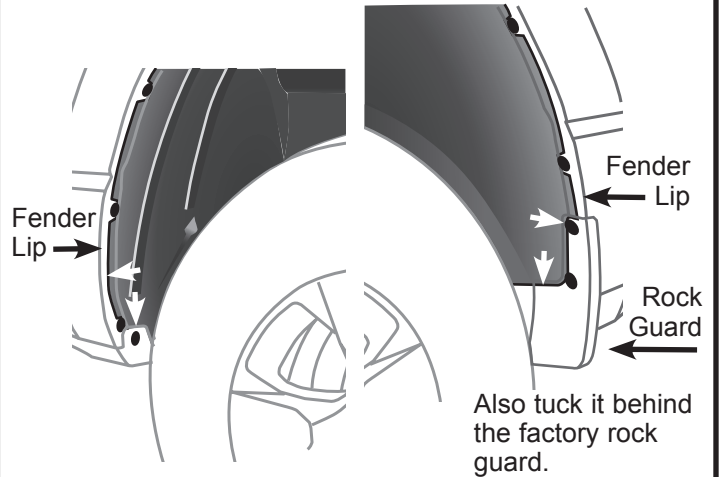


WHEEL WELL LINERS
RAM TRUCK
(With Sectional OEM Wheel Well Liners)

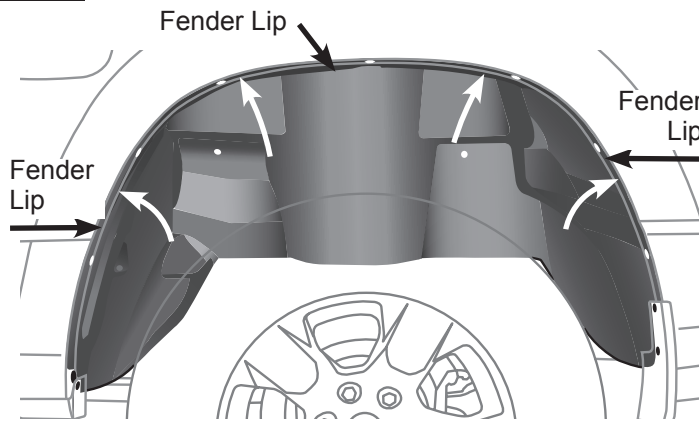
6 Start on the driver side by setting the driver side wheel well (A) marked as (DS) inside the inner panel of the truck's wheel well behind the tire.



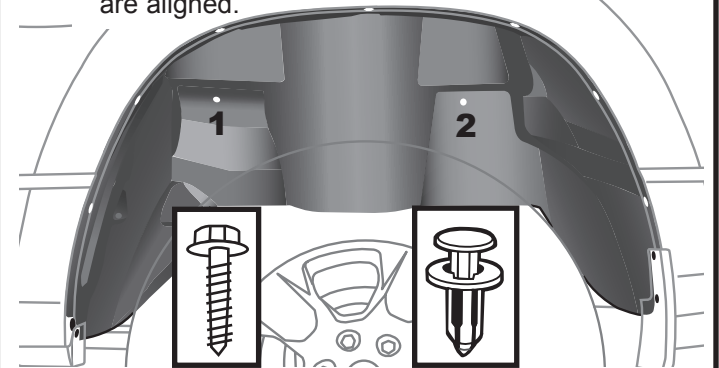
7 Tuck the lower cab and tail part of the wheel well liner behind the metal lip of truck's fender.



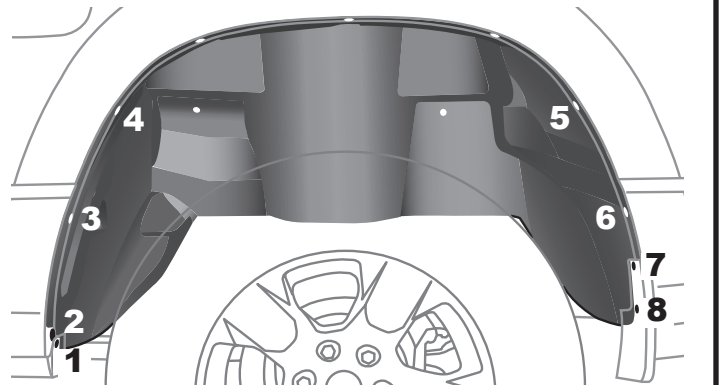
8 Tuck the upper part of the wheel well liner behind the rest of the metal lip of the truck's fender.



9 Locate the (2) pre-drilled holes 1 & 2 in the plastic liner. Install the screw saved in step 4 in front hole 1. Install one of the push lock pins (C) provided in rear hole 2. **Note:** Make sure all holes are aligned.



10 Tighten the factory fasteners 1-8 that you loosened in step 5 with a 5/16" socket and driver.



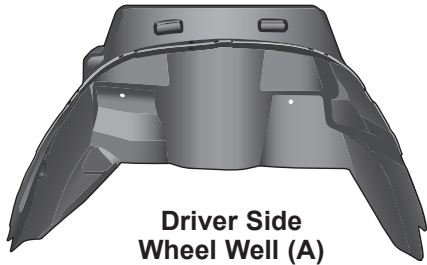
11 Repeat steps 3-10 on the passenger side when installing the passenger side wheel well (B).



GUARANTEED...FOR LIFE.

PART# 79211

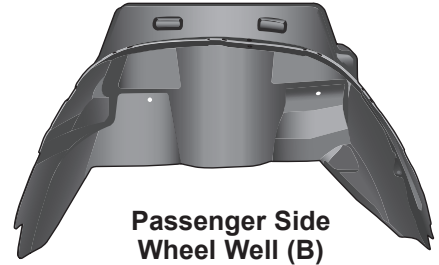
WHEEL WELL LINERS RAM TRUCK (With full OEM Wheel Well Liners)



Driver Side
Wheel Well (A)

LIST OF CONTENTS:
(A) 1 - Driver Side Wheel Well
(B) 1 - Passenger Side Wheel Well

LIK73 KIT:
(C) 2 - Push Lock Pins



Passenger Side
Wheel Well (B)

TOOLS REQUIRED:

- 5/16" socket / driver in steps 3-5 & 10.

TOOLS RECOMMENDED:

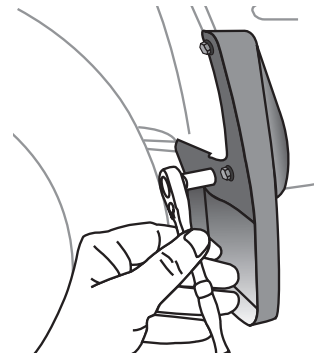
- Adhesive tape in step 4.

INSTALLATION INSTRUCTIONS

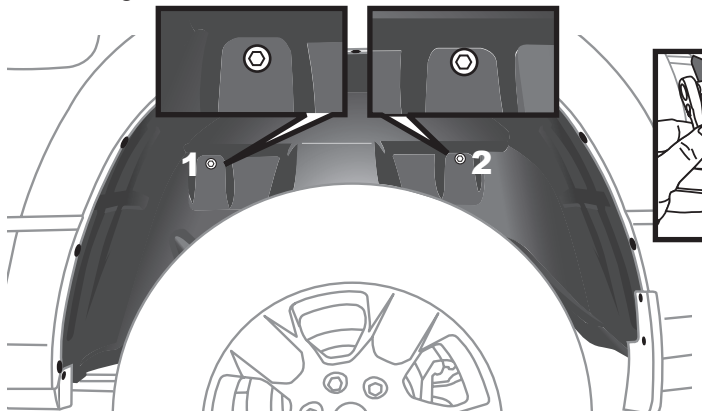
1 PLEASE READ INSTRUCTIONS CAREFULLY BEFORE STARTING THE INSTALLATION. One person can perform the installation.

2 **VEHICLE PREPARATION:** It is important that all areas where the wheel wells mount are clean and free of debris prior to installing.

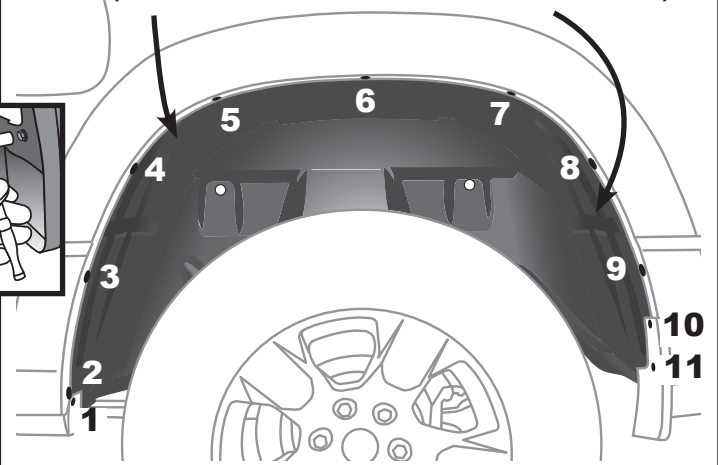
3 For Trucks with Mud Flaps: Remove mud flaps before installing wheel well liners. Then follow steps 4-11. After step 11, re-install mud flaps.



4 Start on the driver's side and locate factory fasteners 1 & 2 that hold the front and rear molding brackets to the sheet metal. **(Remove and save fasteners).** **Tip:** A piece of adhesive tape can be used to hold the plastic molding in place and keep holes aligned.



5 Full wheel well liners (shown below). Remove factory fasteners 1-11 with a 5/16" socket and driver. Remove the factory liners. **(Remove and save fasteners).** **(Do NOT remove sections behind the liners).**



Installation Video available @ huskyliners.com/79211

View the Husky Liner Lifetime Warranty at www.huskyliners.com/lifetime-warranty

P#79211 Installation Instructions 6_21_2021

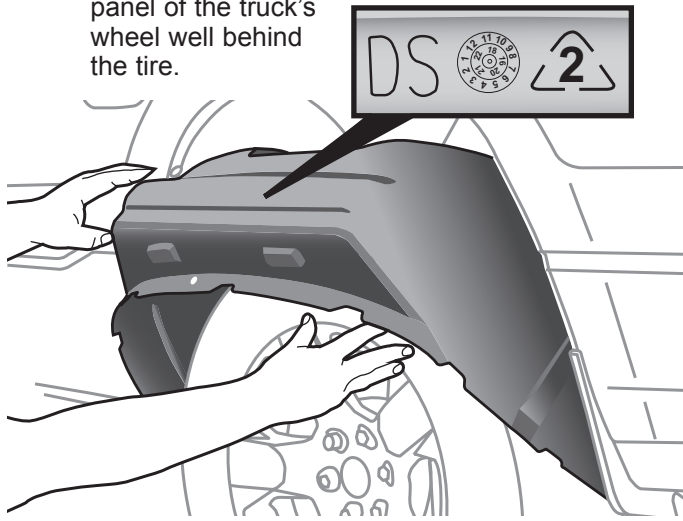


GUARANTEED...FOR LIFE.

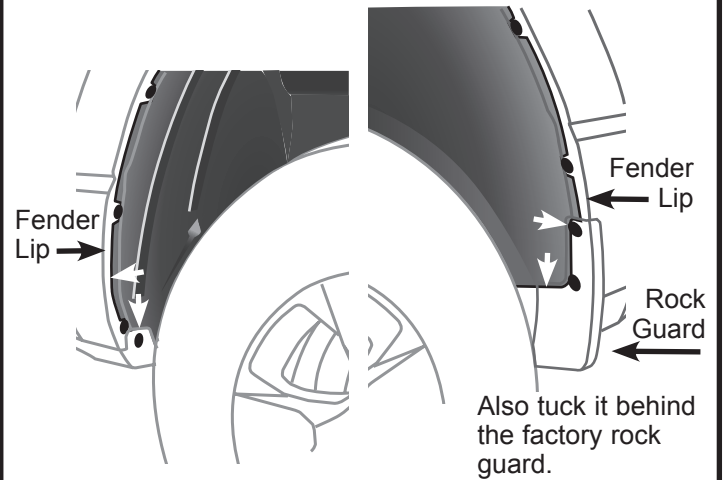
PART# 79211

WHEEL WELL LINERS RAM TRUCK (With Sectional OEM Wheel Well Liners)

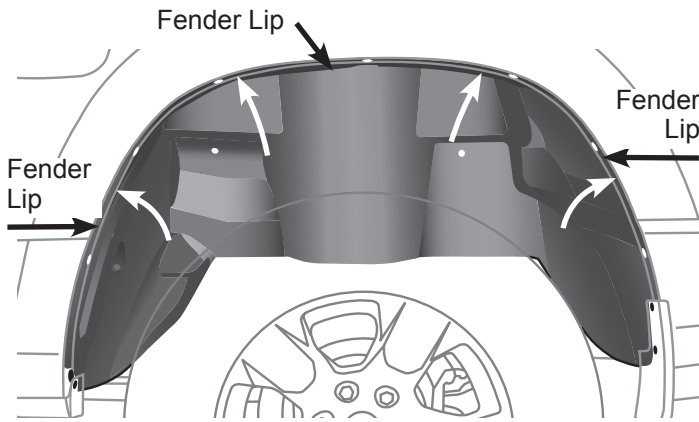
6 Start on the driver side by setting the driver side wheel well (A) marked as (DS) inside the inner panel of the truck's wheel well behind the tire.



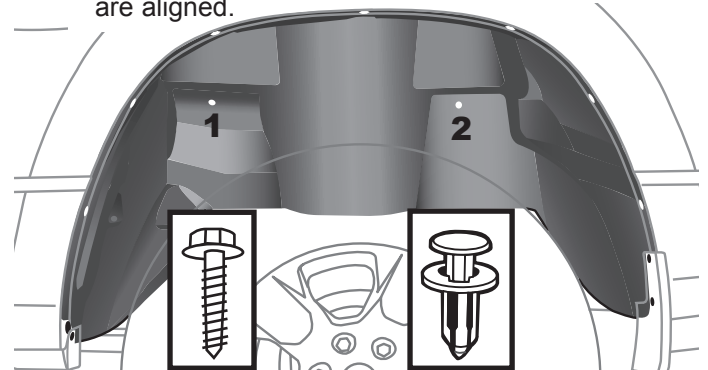
7 Tuck the lower cab and tail part of the wheel well liner behind the metal lip of truck's fender.



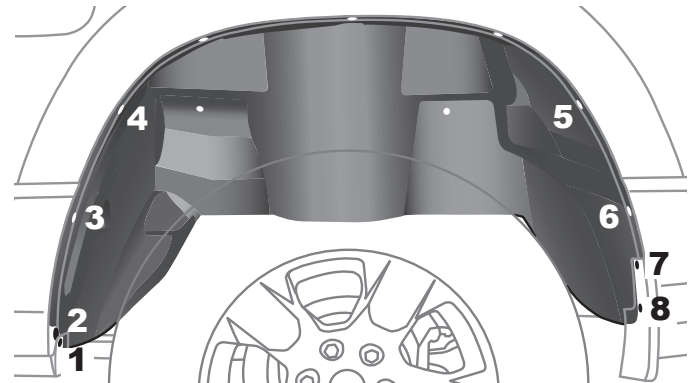
8 Tuck the upper part of the wheel well liner behind the rest of the metal lip of the truck's fender.



9 Locate the (2) pre-drilled holes 1 & 2 in the plastic liner. Install the screw saved in step 4 in front hole 1. Install one of the push lock pins (C) provided in rear hole 2. **Note:** Make sure all holes are aligned.



10 Tighten the factory fasteners 1-8 that you loosened in step 5 with a 5/16" socket and driver.



11 Repeat steps 3-10 on the passenger side when installing the passenger side wheel well (B).

Installation Video available @ huskyliners.com/79211

View the Husky Liner Lifetime Warranty at www.huskyliners.com/lifetime-warranty

P#79211 Installation Instructions 6_21_2021