

2019-2020 Chevrolet & GMC Silverado/Sierra Light Duty (NEW BODY STYLE)

Fits DU-HA Part Numbers

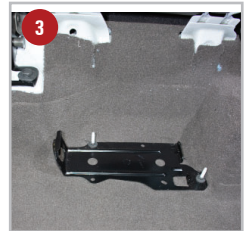
10400 10401 10410

Crew Cab and 2020 Silverado/Sierra Heavy Duty Crew Cab

Installation Instructions:

- 1 Lift up the bottoms of both sides of the back seat. If you do not have the factory storage tray proceed to step 3.
- 2 Remove the factory storage tray, use a 10mm socket to remove the 2 nuts holding the jack mounting plate on the passenger side and remove jack. Next remove the jack tools by loosening the knob holding them in place. Use a 10mm socket to remove the plastic screw holding the driver's side of the factory storage tray. Remove the factory storage tray from the vehicle. Re-install the jack mount plate.
- 3 Remove the Jack from its holder by turning the red or yellow knob on the jack to make the jack retract.
- 4 Position the DU-HA (A) under the back seat, with the hole for the jack tools facing to the rear of the truck, slide the hole over the threaded post for the jack tools. Next position the holes on the passenger side over the threaded posts for the jack mount and over the jack mount plate. **NOTE:** Some floor mats may need to be trimmed for DU-HA to fit properly.
- 5 Secure in place by re-installing the jack into the jack holder plate, make sure the holes in the bottom of the jack get seated into the tabs on the jack mount plate.
- 6 Install the jack tools back from where they were removed.
- 7 Install the Foam Organizer / Gun Rack (B) and Plastic Stiffeners (C) by sliding them into the channel slots inside the DU-HA (A), as shown. Use the provided Velcro straps (D) to secure guns to the gun racks to help to keep them from moving around. Slide the Velcro strap through the hole under each gun rack slot and wrap around gun and onto itself to secure gun.
- 8 Lower the bottoms of both sides of the back seat to their original position.

Factory Storage Tray



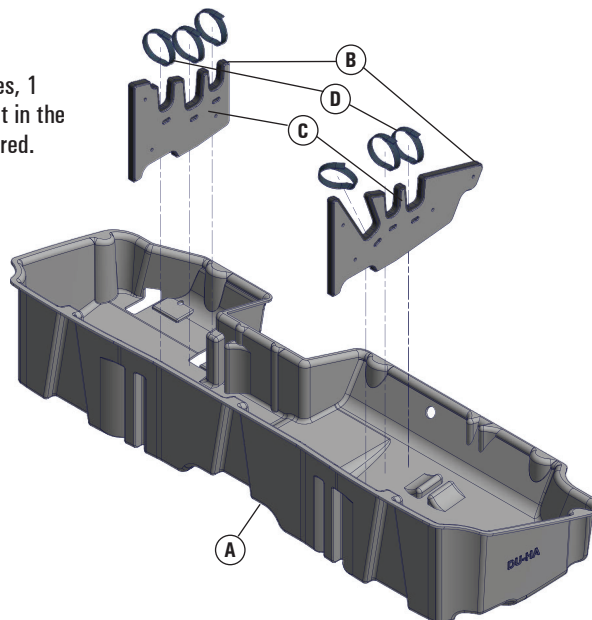
Safety Instructions:

Warning: Seat bottom must be down at all times while vehicle is moving. Make sure the DU-HA is secured in the vehicle according to installation instructions. Do not store explosives or hazardous materials in the DU-HA. Do not place loaded guns in the DU-HA. For further instructions refer to truck owners manual or contact DU-HA, Inc.

NOTE: Some floor mats may need to be trimmed for DU-HA to fit properly.



3 shotguns or rifles, 1 with scope, will fit in the gun rack, as pictured.



Part	Description	Qty
A	DU-HA Storage Unit	1
B	Foam Organizer / Gun Rack	2
C	Plastic Stiffener	2
D	Velcro Strap	6