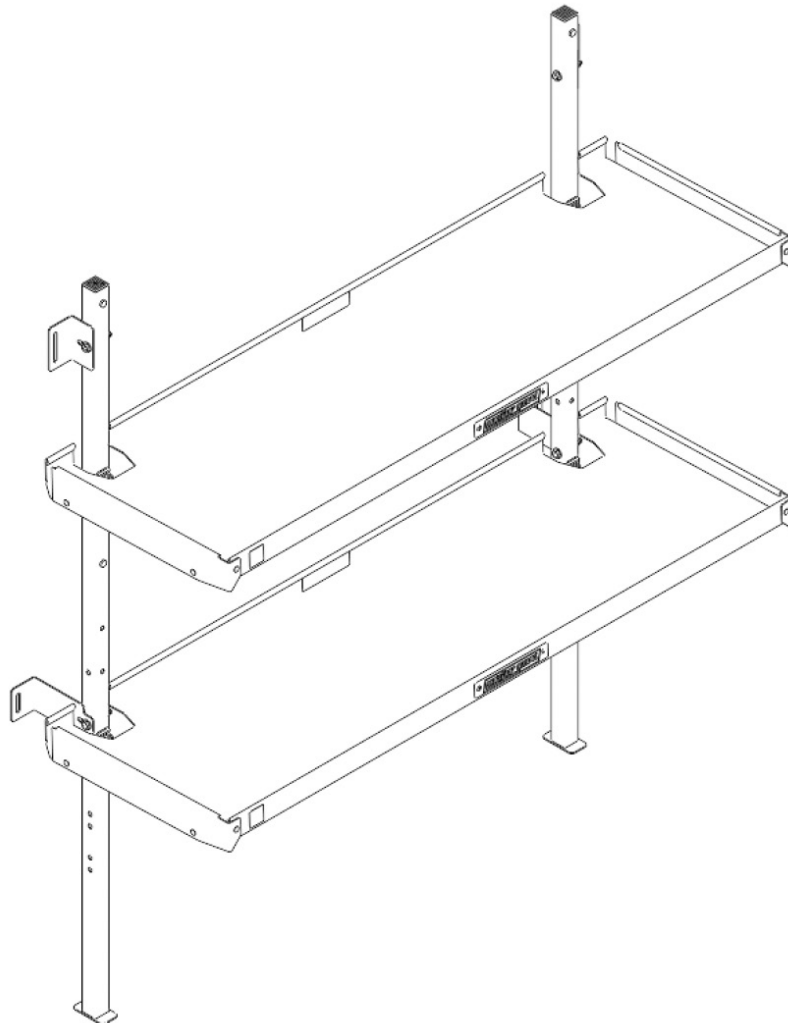


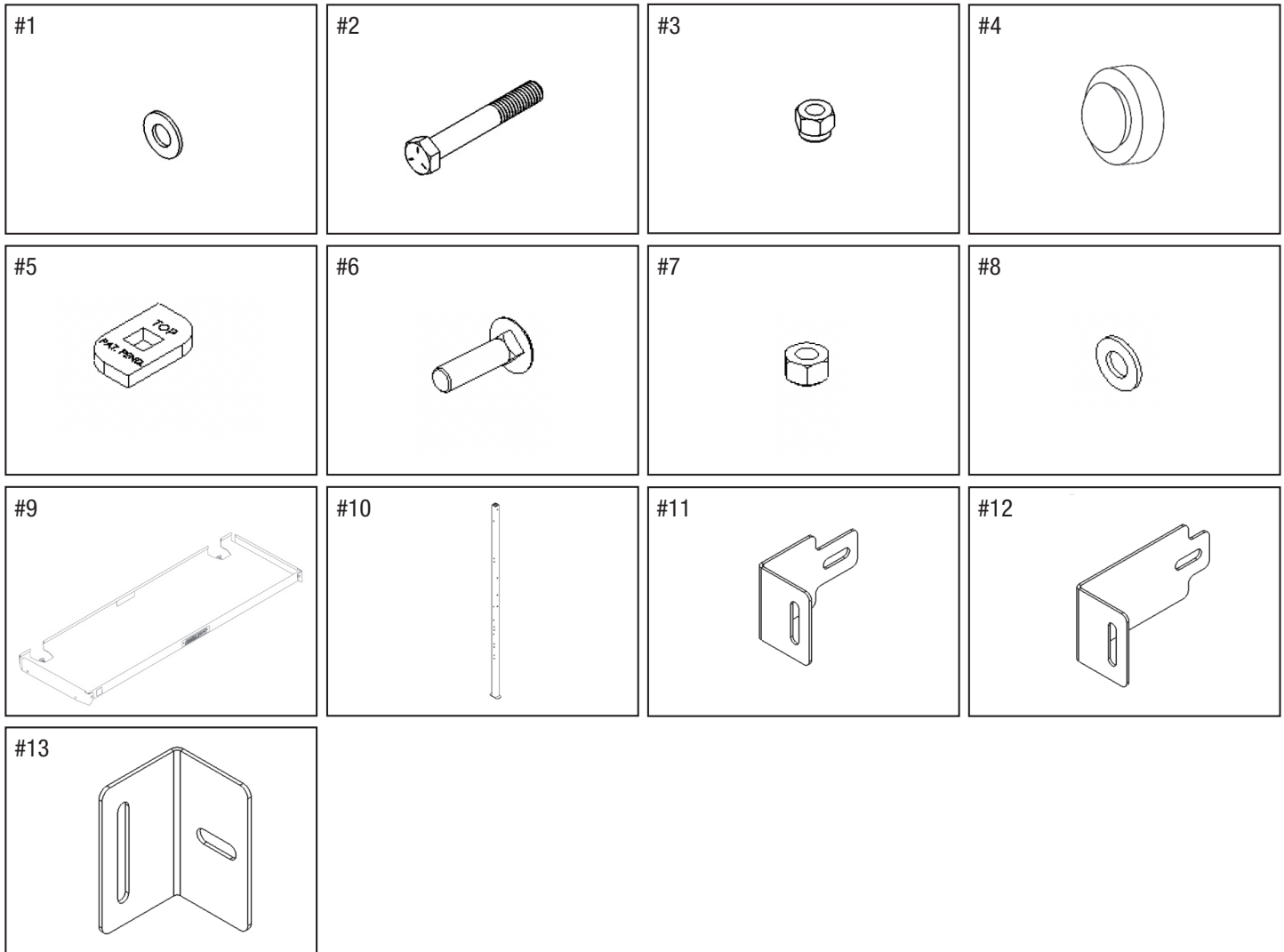


VAN STORAGE SOLUTIONS
**INSTALLATION INSTRUCTIONS
FOR FOLDING SHELVES**



MODELS 9560-3-01, 9548-3-01, 9536-3-01

TOOLS REQUIRED	HARDWARE LIST	PARTS LIST																																													
5/16" Socket 3/8" Socket 1/2" Socket 9/16" Socket Ratchet Level Torque Wrench	<table border="1"> <thead> <tr> <th>Item</th> <th>Description</th> <th>Quantity</th> </tr> </thead> <tbody> <tr> <td>1</td> <td>3/8 Washer</td> <td>16</td> </tr> <tr> <td>2</td> <td>3/8-16 Hex Head Bolt 2.25"</td> <td>8</td> </tr> <tr> <td>3</td> <td>3/8-16 Nylon Lock Nut</td> <td>8</td> </tr> <tr> <td>4</td> <td>Rubber Bumper</td> <td>4</td> </tr> <tr> <td>5</td> <td>Mounting Plate</td> <td>4</td> </tr> <tr> <td>6</td> <td>5/16-18 Carrage Bolt 1"</td> <td>4</td> </tr> <tr> <td>7</td> <td>5/16-18 Nylon Lock Nut</td> <td>4</td> </tr> <tr> <td>8</td> <td>5/16 Washer</td> <td>4</td> </tr> </tbody> </table>	Item	Description	Quantity	1	3/8 Washer	16	2	3/8-16 Hex Head Bolt 2.25"	8	3	3/8-16 Nylon Lock Nut	8	4	Rubber Bumper	4	5	Mounting Plate	4	6	5/16-18 Carrage Bolt 1"	4	7	5/16-18 Nylon Lock Nut	4	8	5/16 Washer	4	<table border="1"> <thead> <tr> <th>Item</th> <th>Description</th> <th>Quantity</th> </tr> </thead> <tbody> <tr> <td>9</td> <td>Shelf Assembly</td> <td>2</td> </tr> <tr> <td>10</td> <td>Leg Assembly</td> <td>2</td> </tr> <tr> <td>11</td> <td>Bottom Bracket 1</td> <td>2</td> </tr> <tr> <td>12</td> <td>Bottom Bracket 2</td> <td>2</td> </tr> <tr> <td>13</td> <td>Top Bracket 3</td> <td>2</td> </tr> </tbody> </table>	Item	Description	Quantity	9	Shelf Assembly	2	10	Leg Assembly	2	11	Bottom Bracket 1	2	12	Bottom Bracket 2	2	13	Top Bracket 3	2
Item	Description	Quantity																																													
1	3/8 Washer	16																																													
2	3/8-16 Hex Head Bolt 2.25"	8																																													
3	3/8-16 Nylon Lock Nut	8																																													
4	Rubber Bumper	4																																													
5	Mounting Plate	4																																													
6	5/16-18 Carrage Bolt 1"	4																																													
7	5/16-18 Nylon Lock Nut	4																																													
8	5/16 Washer	4																																													
Item	Description	Quantity																																													
9	Shelf Assembly	2																																													
10	Leg Assembly	2																																													
11	Bottom Bracket 1	2																																													
12	Bottom Bracket 2	2																																													
13	Top Bracket 3	2																																													



NOTICE

There may be left over components depending on up-fit. Any modification or unintended use of this product shall immediately void all manufacturer's warranties. Manufacturer disclaims all liability for injuries to persons or property resulting from any modification to, or unintended use of this product.

CAUTION

To keep debris out of your eyes when checking the underside of the vehicle, or when drilling, always wear protective eye wear. Never load your rack to exceed the safe rated capacity of your vehicle. Heavy loads carried high can dangerously alter the center of gravity.

DANGER

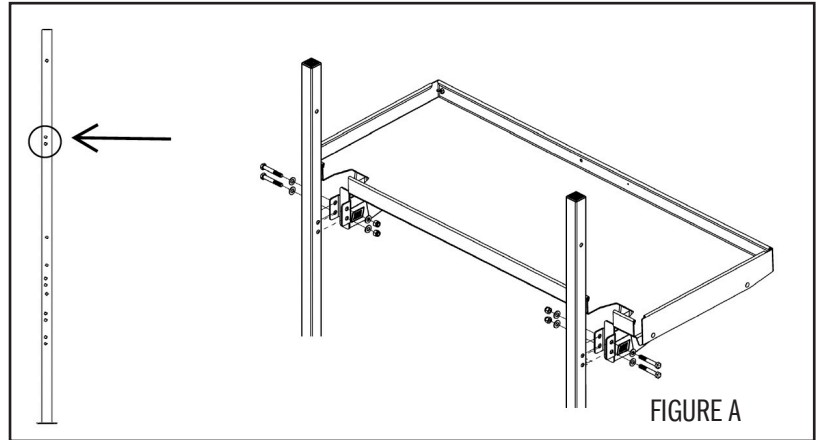
Danger of explosion. Do not use this product for storing or transporting flammables, explosives, hazardous materials, or hazardous waste, such as containers of gasoline, solvents, gun powder, dynamite, propane tanks, acetylene tanks and cutting torches.

INSTALLATION INSTRUCTIONS

Before you begin, Weather Guard folding shelves require the use of dual mounting rail kit. If you have not already, please ensure you have the appropriate mounting location and mounting kit for your vehicle. See chart on page 7 for the appropriate mounting kit.

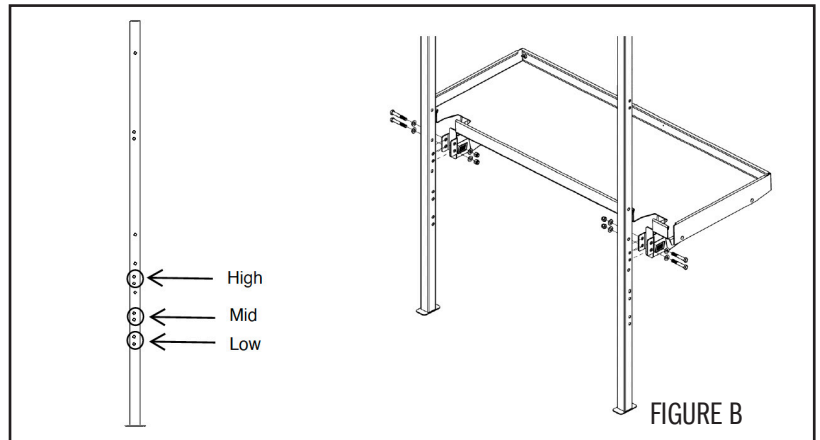
Step 1: Mount Top Shelf to the 2 Legs

The shelf mounts to the the legs at the pivot bracket. Mount the top shelf in the second and third hole from the top of the leg. Use four 3/8-16 Hex Head Bolts, eight 3/8 washer, and four 3/8-16 nylon lock nuts. Torque down hardware to 24 ft.-lbs. FIGURE A



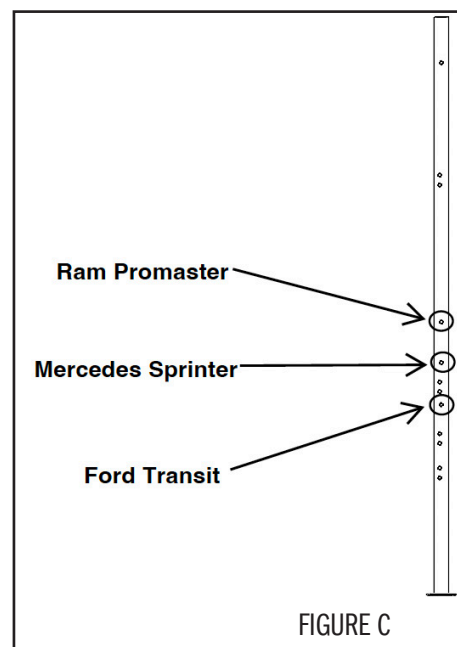
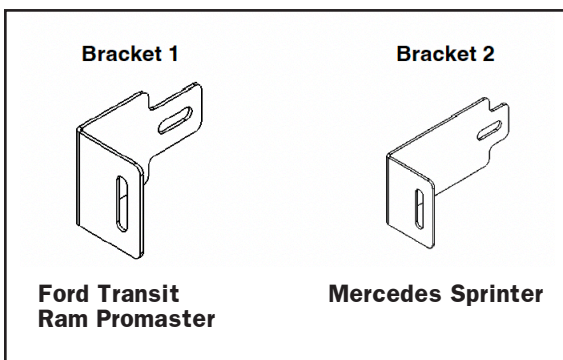
Step 2: Mount Bottom Shelf to Legs

The bottom shelf can be mounted in 3 different positions. Choose a position based on the vehicle wheel well height and the spacing desired between the top and bottom shelf. **If installing over the wheel well in the RAM Promaster do not install on the lowest setting.** The shelf mounts to the legs at the pivot bracket. Use four 3/8-16 hex head bolts, eight 3/8 washers, and four 3/8-16 nylon lock nuts. Torque down hardware to 24 ft.-lbs. FIGURE B

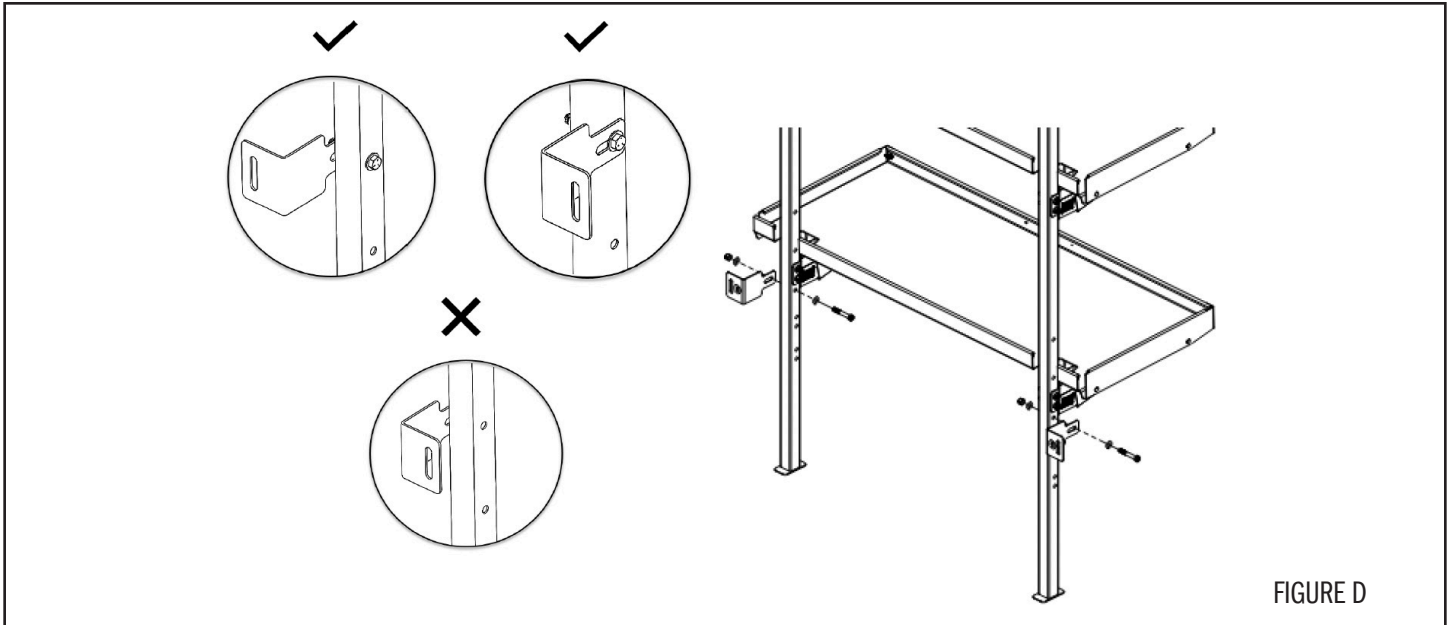


Step 3: Attach Bottom Mounting Brackets to Legs

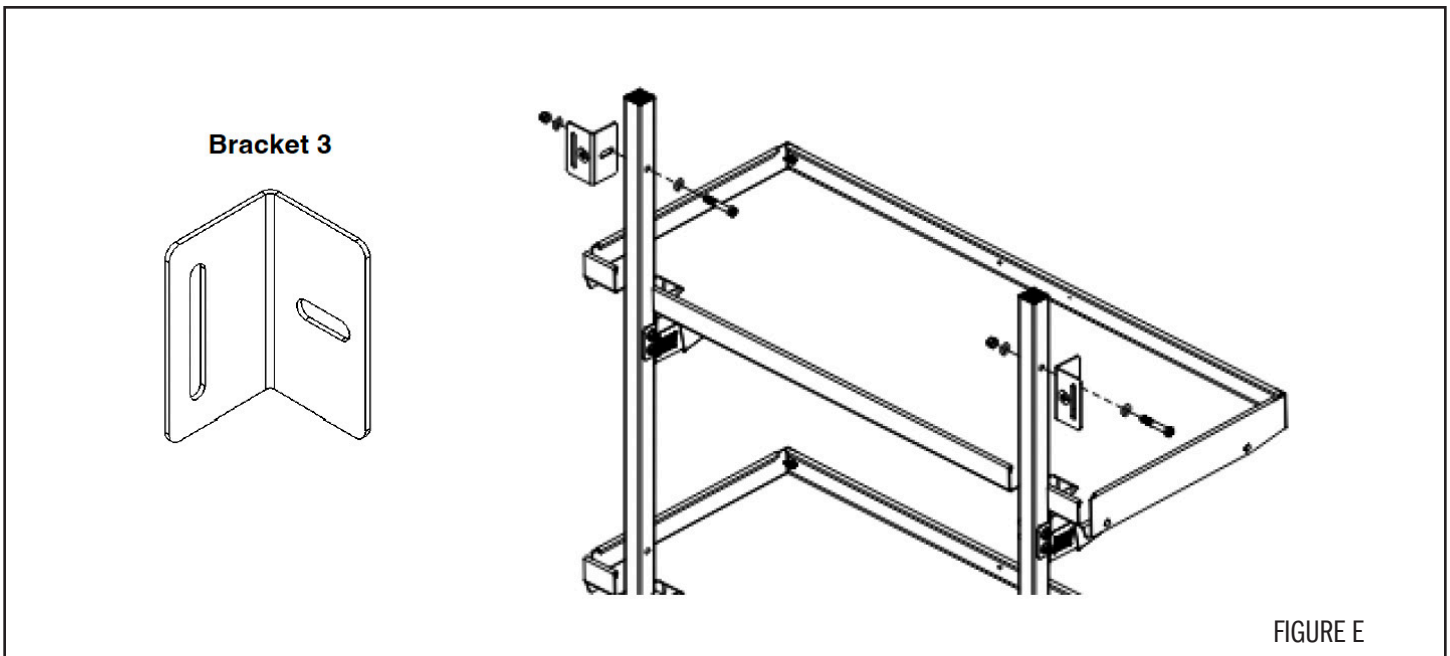
Based on the vehicle, select either bracket 1 or 2. Bracket mounting location is vehicle specific. FIGURE C



INSTALLATION INSTRUCTIONS



The brackets can be mounted to the exterior or interior of the legs. The L shape of the bracket must point away from the leg so that it does not tuck behind the leg. Doing so will block the ability to tighten mounting hardware. Use two 3/8-16 hex head bolts, four 3/8 washers, and two 3/8-16 nylon lock nuts per bracket. Do not tighten all the way down. FIGURE D



Step 4: Attach Top Mounting Brackets to Legs

Top bracket is not vehicle specific. Mount bracket 3 to the top location indicated in FIGURE E. Use two 3/8-16 hex head bolts, four 3/8 washers, and two 3/8-16 nylon lock nuts per bracket. Do not tighten all the way down.

INSTALLATION INSTRUCTIONS

Step 5: Mount Shelves in Vehicle

If you have not done so already, install the dual rail mounting kit into the vehicle now. Position the carriage bolt plate such that you can read the word "TOP" and insert 5/16-18 carriage bolt from the bottom of the plate. Note: using a piece of masking tape (or equivalent) on back of the plate to lightly hold the carriage bolt to the plate may allow easier installation. You will need four plates per shelving unit. FIGURE F



FIGURE F

Two will be inserted in the top rail and two to be inserted in the middle rail. Insert the carriage bolt/plate assemblies through the mounting rail and rotate 90 degrees clockwise. FIGURE G



FIGURE G

Position the shelves and carriage bolts/plates in desired location and fasten the shelves to the carriage bolt/plate using 5/16-18 nylon lock nuts and washers with 1/2" socket. Use a level to fine tune the position and alignment of the shelves in desired location. Torque all bracket hardware down to 24 ft-lbs. FIGURE H

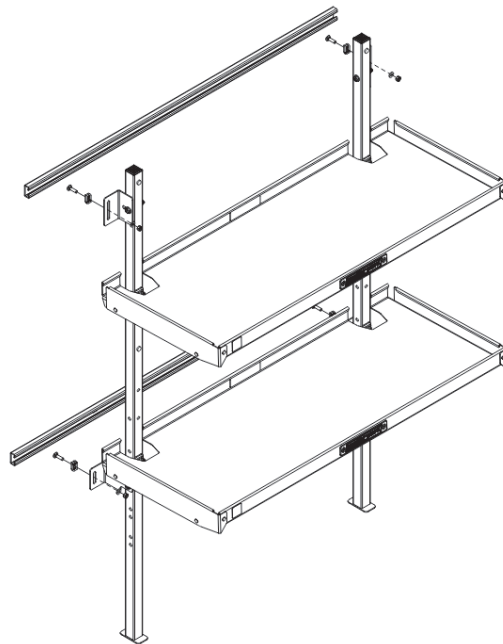


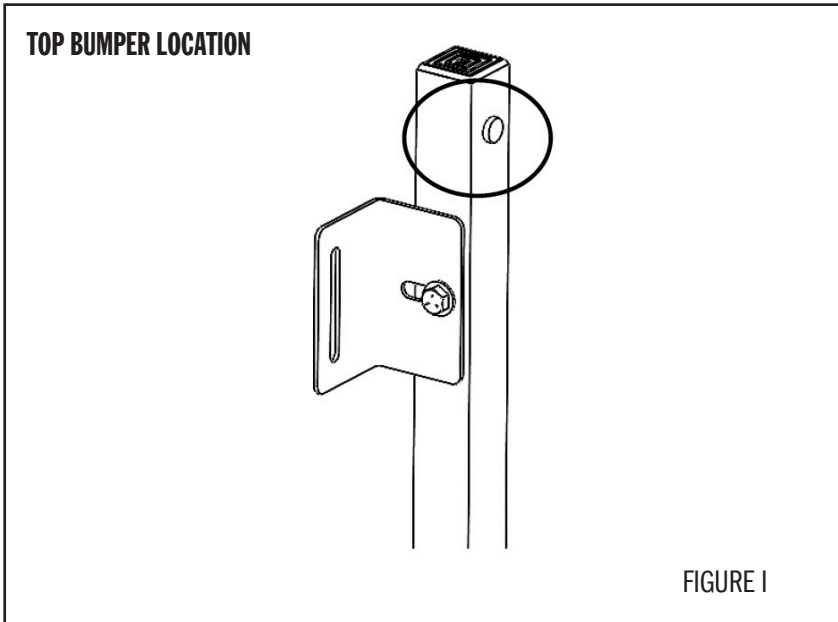
FIGURE H

INSTALLATION INSTRUCTIONS

Step 6: Add Protective Bumpers

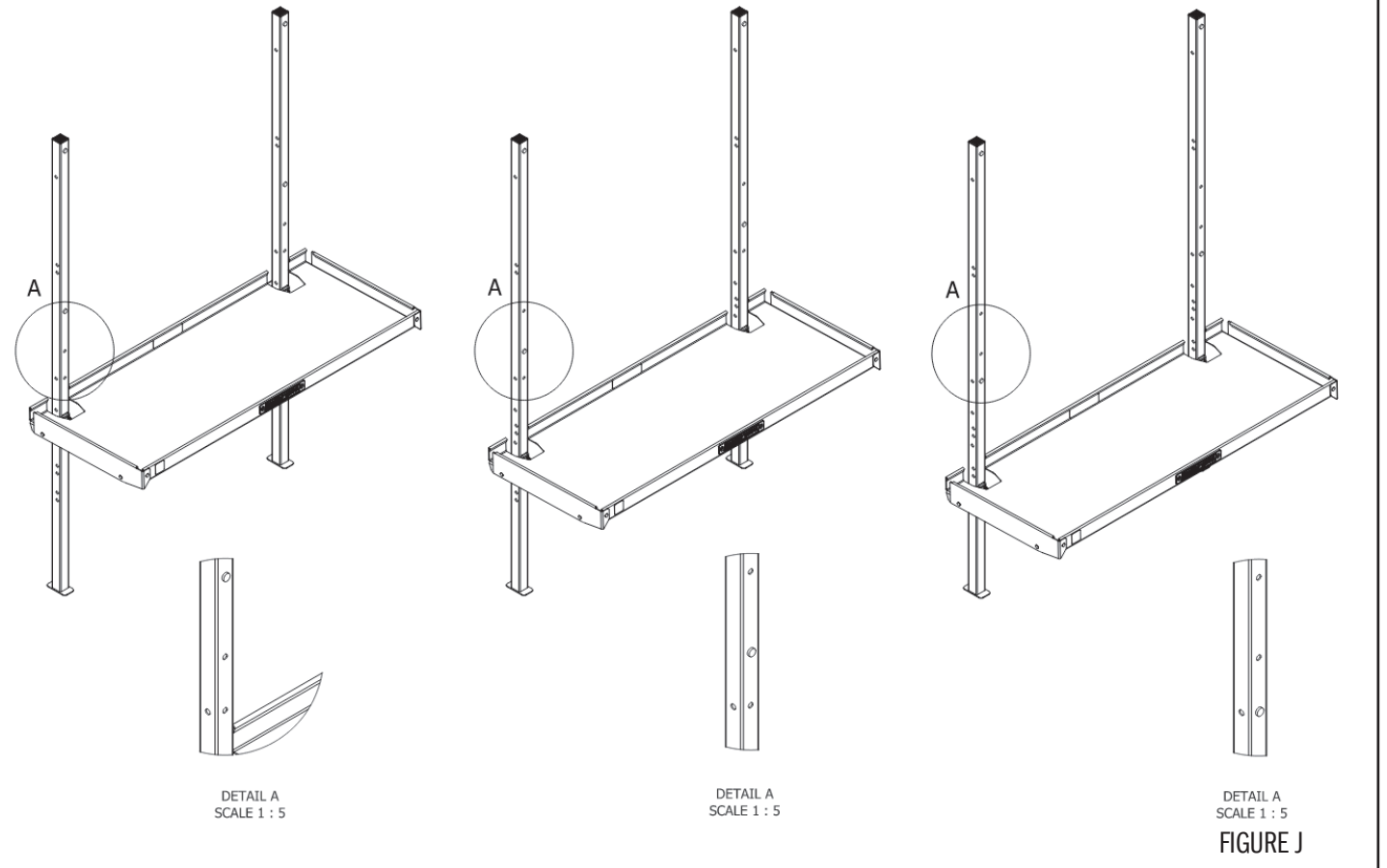
Insert the 4 protective rubber bumpers. Two per each leg. Bumpers should line up to where the lip of the shelf meets the legs when folded up.

FIGURE I & J



BOTTOM BUMPER LOCATIONS

Dependant on bottom shelf mounting location



INSTALLATION INSTRUCTIONS

Information: End Cap Removal

End caps can be flipped down to allow for two shelves mounted next to each other to have an uninterrupted surface. Remove wing nuts and bolts. Flip end cap over. Insert bolts and tighten wing nuts. FIGURE K

Pro Tip: The back wing nut and bolt will not re-attach to the shelf. Re-install hardware so that it does not get lost.

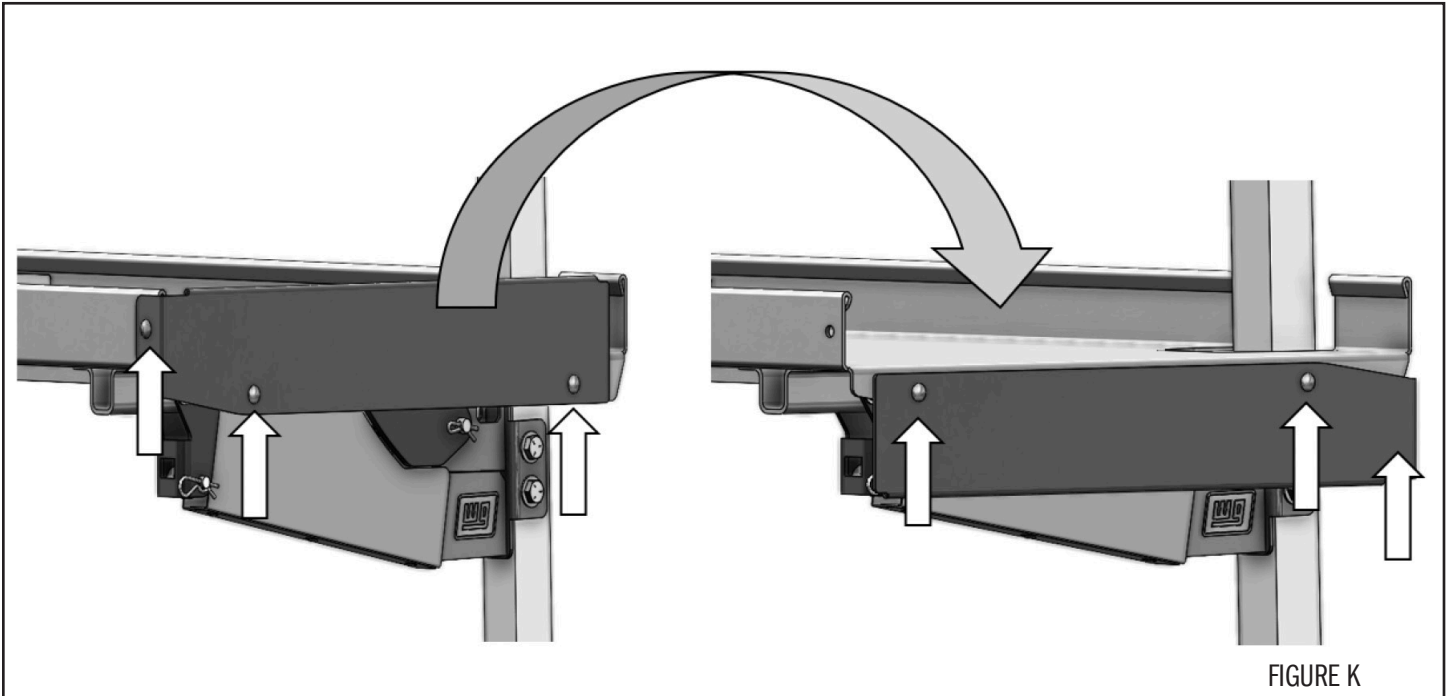


FIGURE K

DUAL RAIL MOUNTING KITS

	Driver Side Front	Driver Side Rear	Passenger Side
Ford Transit 130" WB	DRFTAF	DRFT30RP	DRFT30RP
Ford Transit 148" WB	DRFTAF	DRFT48RP	DRFT48RP
Ford Transit 148" Extended WB	DRFTAF	DRFT48XRP	DRFT48XRP
RAM ProMaster 136" WB	DRRPAF	DRRP36RP	DRRP36RP
RAM ProMaster 159" WB	DRRPAF	DRRP59RP	DRRP59RP
RAM ProMaster 159" Ext WB	DRRPAF	DRRP59XRP	DRRP59XRP
Mercedes Sprinter 144" WB	DRMSAF	DRMS44RP	DRMS44RP
Mercedes Sprinter 170" & 170" Ext WB	DRMSAF	DRMS70RP	DRMS70RP

WERNER CO. LIMITED LIFETIME WARRANTY FOR WEATHER GUARD® PRODUCTS

WEATHER GUARD® Products – Limited Lifetime Warranty

(Purchased on or after 1/1/2009)

WERNER CO. (the “Manufacturer”) warrants to the original purchaser only that WEATHER GUARD® Truck and Van Products (the “WEATHER GUARD® Product”) will be free from defects in material and workmanship from the date of purchase and continuing for the expected lifetime of the WEATHER GUARD® Product. A copy of the original sales receipt must be supplied to the Manufacturer at the time a warranty claim is made. This warranty terminates if the original purchaser transfers the WEATHER GUARD® Product to any other person.

What is Covered

All WEATHER GUARD® Products identified above that are purchased on or after January 1, 2009.

What We Will Do To Correct Problems

Subject to the limitations and exclusions described in this limited warranty, the Manufacturer will remedy defects in materials or workmanship by providing one of the following remedies at its option and without charge to the original purchaser for parts or labor: (a) repairing the defective portion of the WEATHER GUARD® Product or (b) replacing the entire WEATHER GUARD® Product. In addition, the Manufacturer may elect at its option, not to repair or replace the WEATHER GUARD® Product, but rather issue to the original purchaser a refund equal to the purchase price paid for the WEATHER GUARD® Product or a credit to be used toward the purchase of a new WEATHER GUARD® Product.

What is Not Covered

This limited warranty expressly excludes:

- Defects caused by normal wear and tear, cosmetic rust, scratches, accidents, unlawful vehicle operation, or modification to the product, or any types or repair of a WEATHER GUARD® Product other than those authorized or provided by the Manufacturer.
- Defects resulting from conditions beyond the Manufacturer’s control including, but not limited to misuse, overloading, or failure to assemble, mount or use the WEATHER GUARD® Product in accordance with the Manufacturer’s written instructions or guidelines included with the WEATHER GUARD® Product or made available to the original purchaser.
- Damage to the contents of the box or vehicle.
- TO THE EXTENT PERMITTED BY LAW, IN NO EVENT SHALL THE MANUFACTURER BE LIABLE FOR ANY INCIDENTAL, SPECIAL, INDIRECT, OR CONSEQUENTIAL DAMAGES, INCLUDING ANY ECONOMIC LOSS, WHETHER RESULTING FROM NONPERFORMANCE, USE, MISUSE OR INABILITY TO USE THE WEATHER GUARD® PRODUCT OR THE MANUFACTURER’S NEGLIGENCE.

No Other Express Warranty Applies

This Limited Lifetime Warranty is the sole and exclusive warranty for WEATHER GUARD® Products. No employee, agent, dealer, or other person is authorized to alter this warranty or make any other warranty on behalf of WERNER CO.

Notification Procedures

If the WEATHER GUARD® Product does not conform with the terms of this limited warranty, the original owner must promptly notify the Manufacturer in writing upon discovery of the nonconformity. In order to receive the remedies under this limited warranty, the warranty claim must describe the nature of the nonconformity, and a copy of the original sales receipt, invoice, bill or other proof of purchase must accompany the claim. Repairs or modifications made to the WEATHER GUARD® Product by other than the Manufacturer or its authorized agent will nullify this limited warranty. Coverage under this limited warranty is conditioned at all times upon the owner’s compliance with these required notification and repair procedures. Warranty claims must include reciprocal contact information and may be made via certified mail to:

WERNER CO.



ATTN: Weather Guard® Warranty Claims
555 Pierce Road, STE 300 • Itasca, IL 60143
weatherguard.com

If you have any questions, please call toll free at 1-800-456-7865

Part No. 24-00171DIG REV. B