

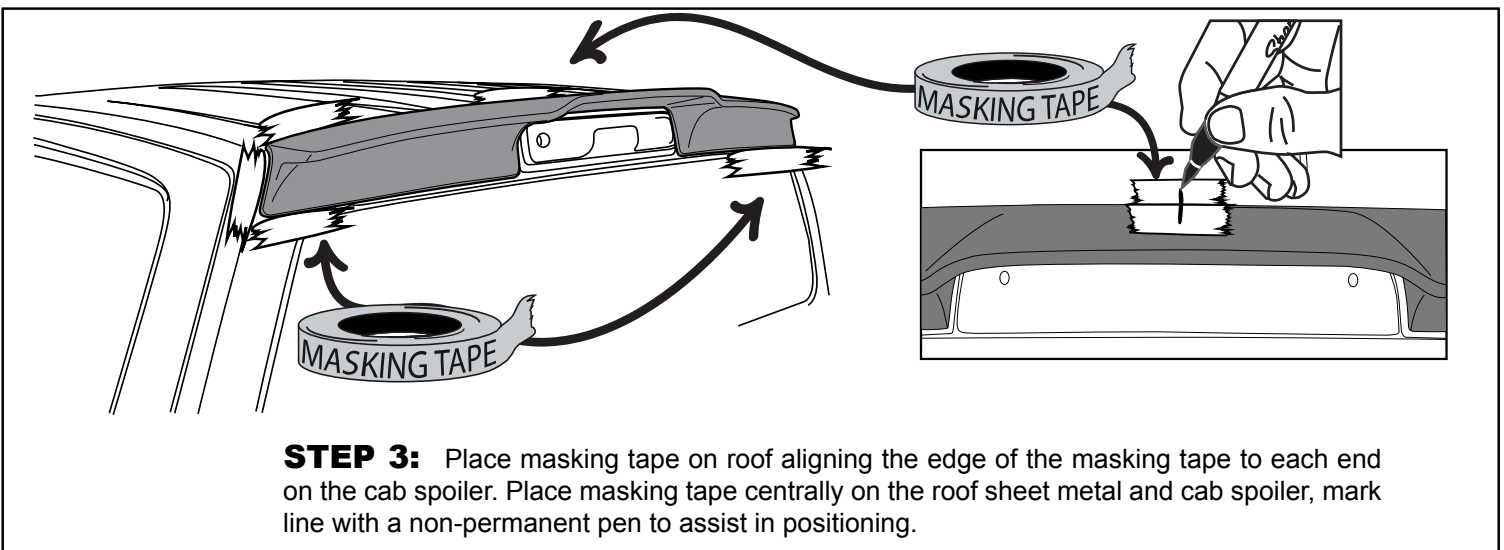
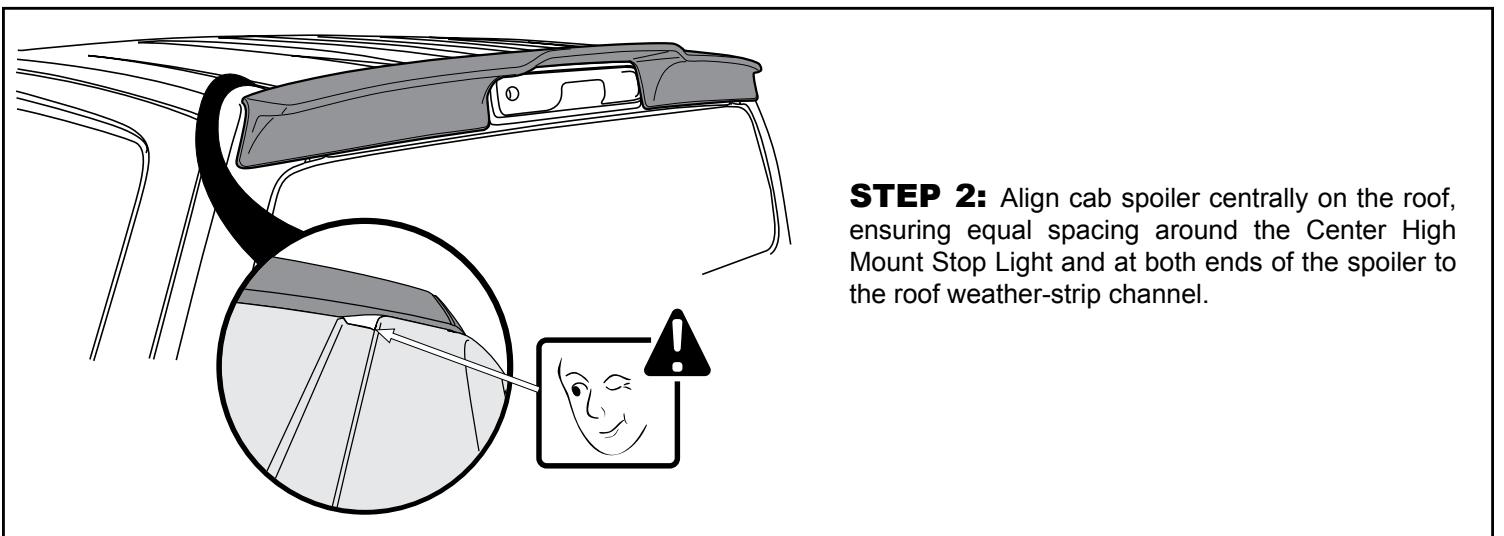
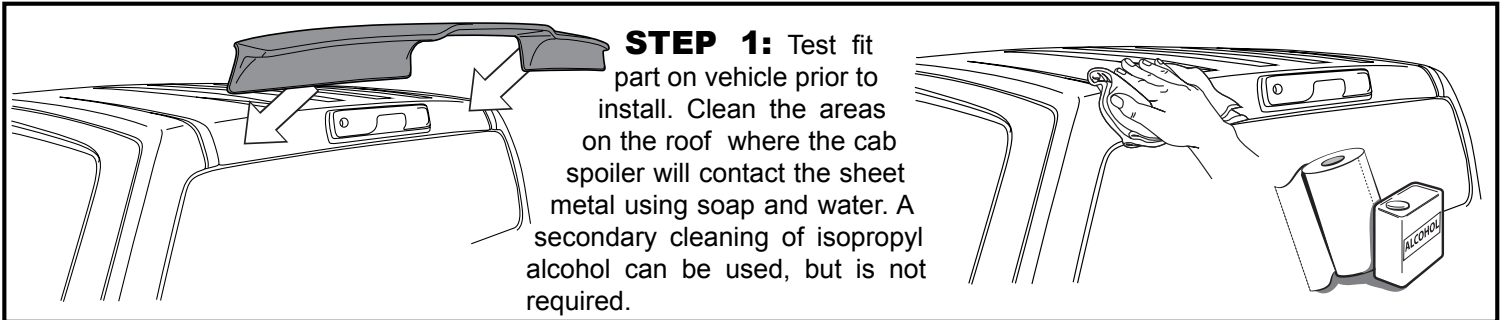


Installation Instructions

Cab Spoiler
CHEVROLET
2015-On COLORADO
981399 / 033231

Important: Please read instructions entirely before installing product. Tape on product only no drilling required

- Do not drive for four hours after install
- Do not install in weather conditions below 60 (°F)
- Do not use petroleum based solvents or abrasives
- Wash with water, detergent and soft cloth or sponge



For Technical Support/Warranty Information please call 800-757-7075

EGR Inc., 4000 East Greystone Drive, Ontario, CA 91761



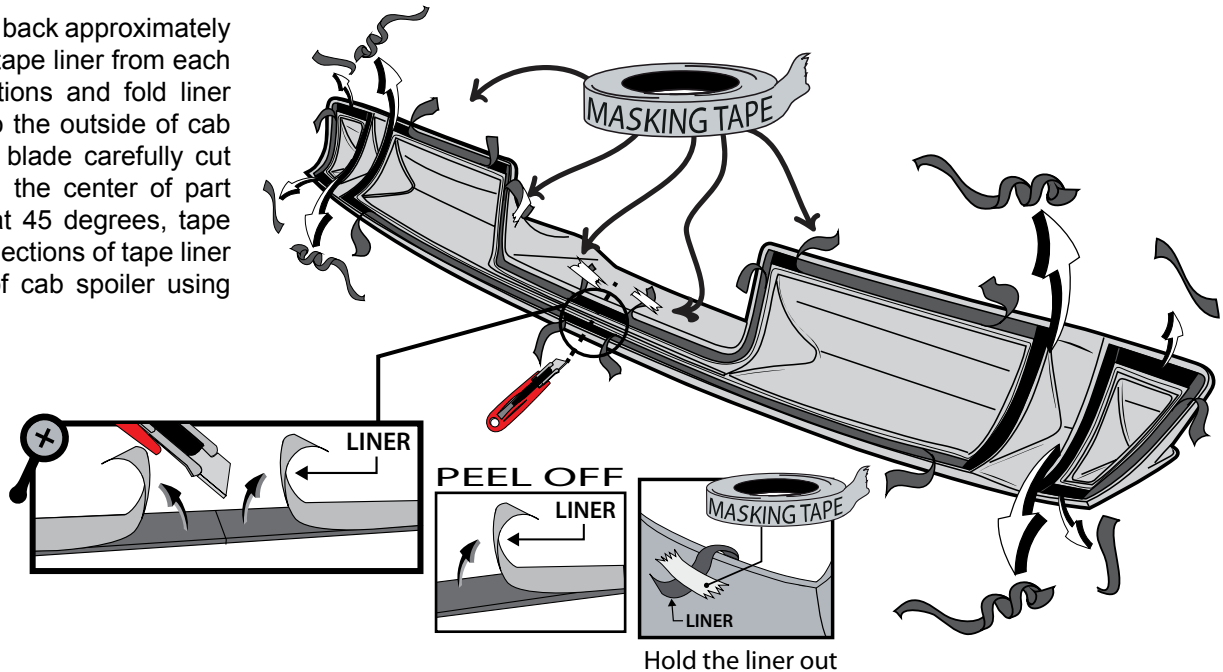
Installation Instructions

Cab Spoiler
CHEVROLET
2015-On COLORADO
981399 / 033231

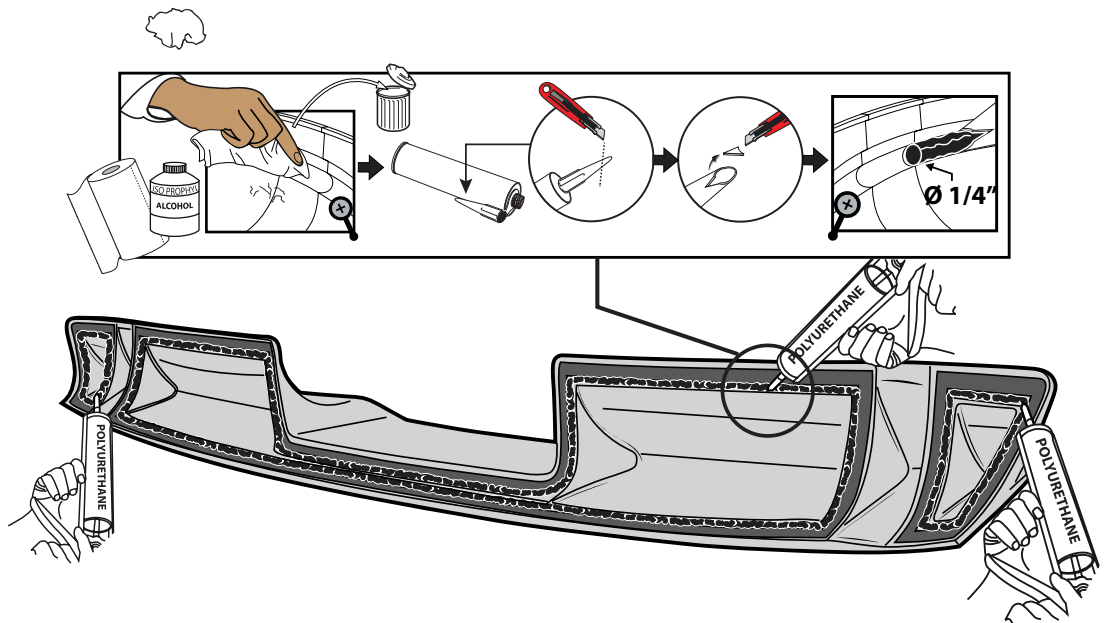
Important: Please read instructions entirely before installing product. Tape on product only no drilling required

- Do not drive for four hours after install
- Do not install in weather conditions below 60 (°F)
- Do not use petroleum based solvents or abrasives
- Wash with water, detergent and soft cloth or sponge

STEP 4: Peel back approximately 50mm (2" in) of tape liner from each of the tape sections and fold liner at 45 degrees to the outside of cab spoiler. Using a blade carefully cut the tape liner in the center of part and peel back at 45 degrees, tape all peeled back sections of tape liner to the outside of cab spoiler using masking tape.



STEP 5: Clean the channel running along the inside edge of part with isopropyl alcohol, wipe dry with a clean cloth. Insert the nozzle to the adhesive tube. Cut the top of nozzle and place in dispensing gun, carefully apply a 1/4" wide bead of the adhesive into the channel along inside edge of the entire part. Ensure adhesive does not come into contact with the tape.



For Technical Support/Warranty Information please call 800-757-7075

EGR Inc., 4000 East Greystone Drive, Ontario, CA 91761

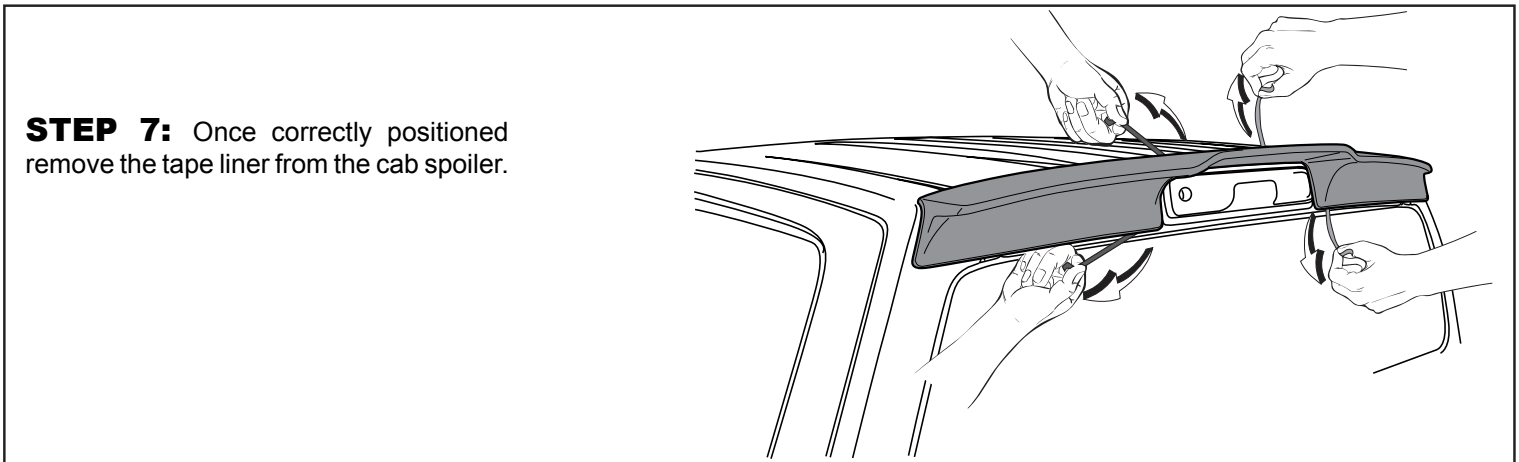
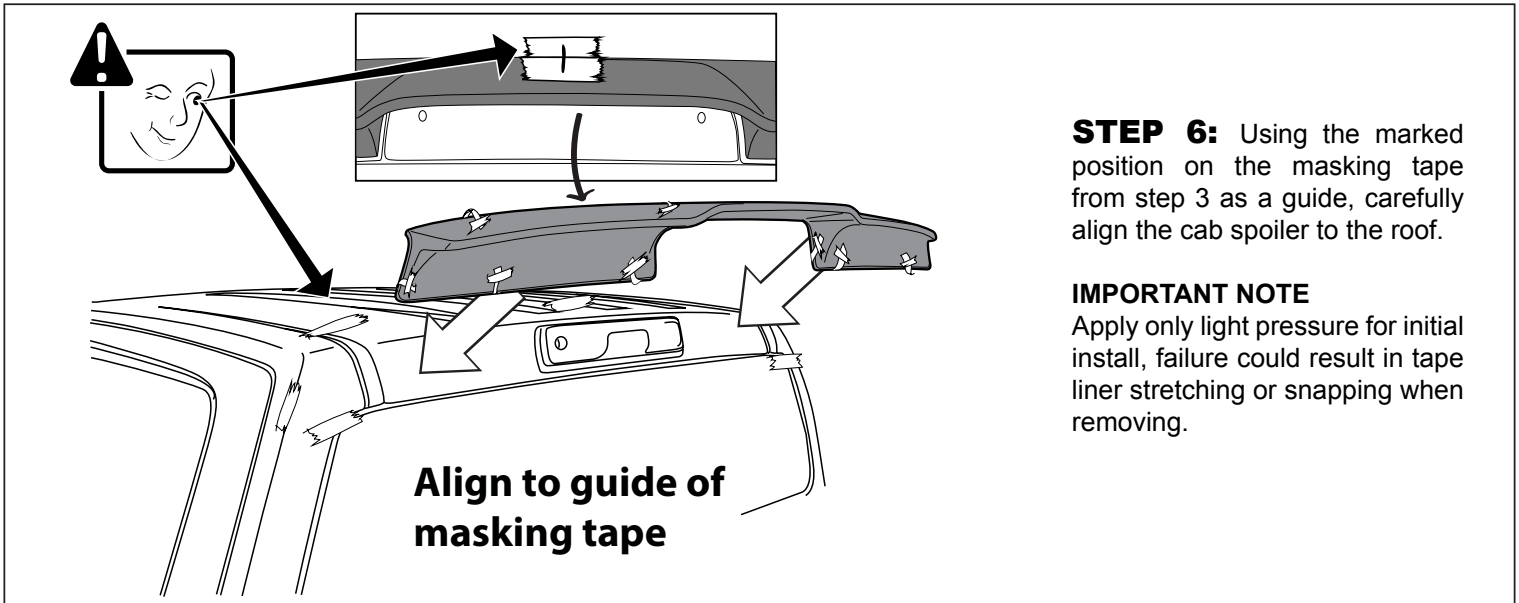


Installation Instructions

Cab Spoiler
CHEVROLET
2015-On COLORADO
981399 / 033231

Important: Please read instructions entirely before installing product. Tape on product only no drilling required

- Do not drive for four hours after install
- Do not install in weather conditions below 60 (°F)
- Do not use petroleum based solvents or abrasives
- Wash with water, detergent and soft cloth or sponge



For Technical Support/Warranty Information please call 800-757-7075

EGR Inc., 4000 East Greystone Drive, Ontario, CA 91761