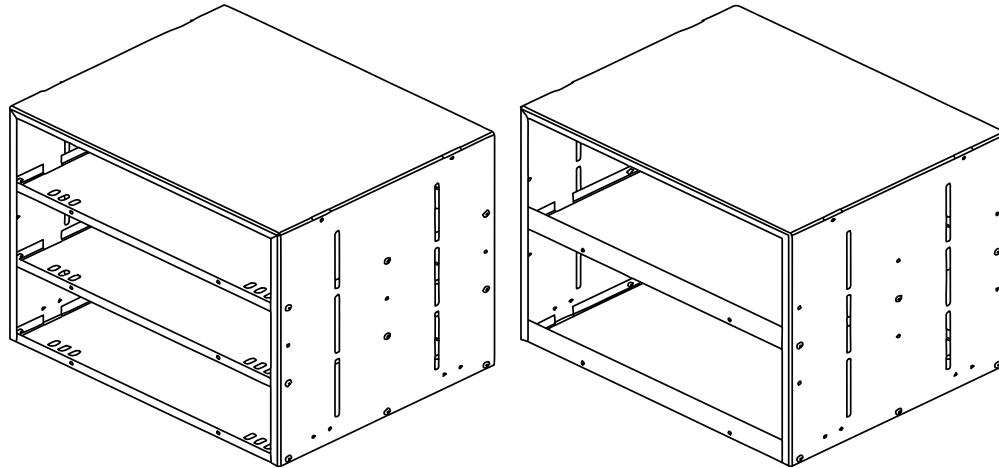




VAN STORAGE SOLUTIONS

INSTALLATION INSTRUCTIONS for
PARTS CASE & SMALL PARTS CABINETS



MODELS 9960-3-01 & 9962-3-01

Weather Guard / WERNER CO.
420 E. Terra Cotta Ave.
Crystal Lake, IL 60014 USA

800-456-7865 (Toll Free)
800-334-2981 (Fax)

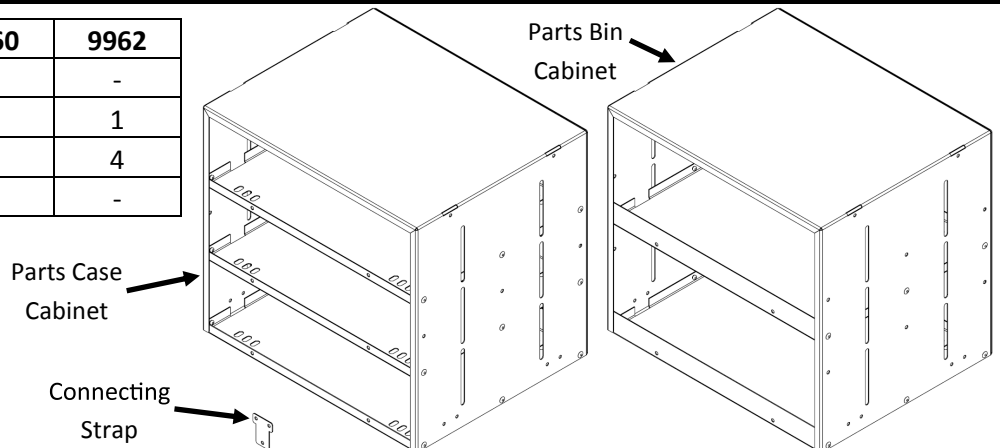
Weather Guard / WERNER CO.
9133 Leslie St. Unit 105
Richmond Hill, ON L4B4N1

888-562-2251 (Toll Free)
888-456-8460 (Fax)

PARTS LIST

DESCRIPTION	9960	9962
Parts Case Cabinet	1	-
Parts Bin Cabinet	-	1
Connecting Strap	4	4
Parts Case*	3	-

*Not Shown



ATTENTION: PLEASE READ AND UNDERSTAND ALL INSTRUCTIONS AND WARNINGS

FOR ELECTRIC VEHICLES – Drilling into electrical wiring may damage vehicle systems and may cause bodily harm. This equipment should be installed by qualified personnel familiar with this type of vehicle and the hazards involved. To prevent damage to components underneath the floor, mainly the battery and high voltage system components, refer to your vehicle manufacturer’s instructions or the manufacturer’s website for more information.



PLAN YOUR VAN (TIPS FOR FASTER INSTALLATION)

- Plan the placement of your accessories before installing them, some accessories may be easier to install before mounting the shelving into the van.
- Always wear protective eyewear to keep debris out of your eyes when installing WEATHER GUARD® Van Products.
- Install REDZONE end panel mounted accessories before shelf mounted accessories.
- WEATHER GUARD® van shelves and accessory cabinets have pre-punched mounting holes for quick installation.
- Use power tools to speed up the installation process
- Before drilling for the blind fasteners, check for electrical wiring and air-bag system components.
- Parts Case & Parts Bin Cabinets can be mounted on the shelf with the shelf installed right-side up or upside down depending on your needs.
- Parts Case & Parts Bin Cabinets can also be stacked and mounted to each other with the bottom unit floor mounted.

HARDWARE KIT FOR SHELF MOUNT

DESCRIPTION	QTY.
Shelf Divider Cover	2
1/4"-20 Whiz-nut	4
1-4"-20 x 3/4" Bolt	4
1-4"-20 x 3" Bolt	4
Retainer washer	4
Spacers	4

HARDWARE KIT FOR FLOOR MOUNT

DESCRIPTION	QTY.
1/4"-20 Blind Fastener	4
1/4"-20 Nylon Lock Nut	4
1/4" Flat Washer	6
1/4"-20 x 2-1/4" Bolt	1
1/4"-20 x 1-1/4" Bolt	4
Blind Fastener Install Tool	1

HARDWARE KIT FOR STACK MOUNT

DESCRIPTION	QTY.
0.187 X 0.250 Drive Pin Rivet	10
1/4" ID x 1" OD Fender Washer	4
1/4-20 Nylon Lock Nut	2
1/4-20 x 5/8" Bolt	2

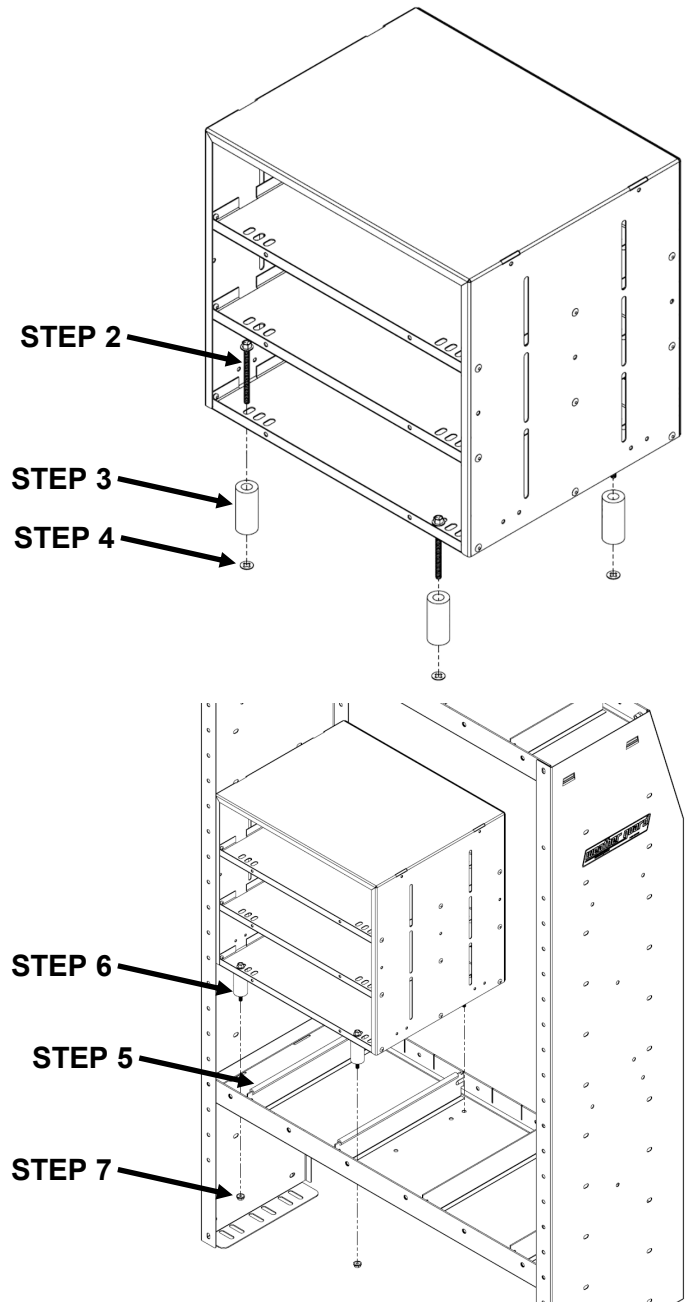
TOOLS

7/16" Socket	Ratchet
7/16" Wrench	1/8" Drill Bit
9/16" Wrench	3/8" Drill Bit
Impact Driver	1" Hole Saw
Drill	Hand Sledge or Hammer

INSTALLATION INSTRUCTIONS FOR SHELF MOUNTING

- Flip the shelf upside-down and directly mount the accessories to the shelf when dedicating a shelf for cabinets and/or drawers using 1/4"-20 x 3/4" bolts and 1/4"-20 whiz-nuts.
- Install the cabinets and/or drawers following the instructions below when unoccupied shelf space is needed for additional storage.
- Cabinets will require removal of the bottom case or the bins that are directly above the pre-punched mounting holes.

- STEP 1.** Determine where you will locate your accessory cabinets on the shelf and identify the four mounting holes needed to attach it to the shelf. Make sure you have enough vertical clearance for the cabinet.
- STEP 2.** Insert four 1/4"-20 x 3" bolts down through the holes in the cabinet.
- STEP 3.** Slip the four Nylon Spacers over the bolts from underneath the cabinet.
- STEP 4.** Place the four retaining washers on the bolts to hold the Nylon Spacers in place against the bottom of the cabinet.
- STEP 5.** Insert two shelf dividers (included with the Weather Guard shelf unit) into slots underneath where the cabinet accessory will be installed. Cut the Edge Guard to fit the two dividers and press in place.
- The dividers will prevent parts, tools, or debris from getting stuck under the cabinet.*
- STEP 6.** Place the cabinet on to the shelf and dividers and push the bolts through the mounting holes in the bottom of the shelf.
- STEP 7.** Thread the Whiz-nuts on to the bolts and securely tighten to 76 in-lbs.
- STEP 8.** Replace the bottom case or bins in the cabinet.



The hardware kit includes mounting spacers and hardware to attach cabinets to 13-1/2" deep or 16" deep Weather Guard van shelving as shown. Cabinets can also be mounted directly to an inverted shelf when dedicating a shelf for cabinets and drawers.

INSTALLATION INSTRUCTIONS FOR STACK MOUNTING

- Cabinets will require removal of the bottom case or the bins that are directly above the pre-punched mounting holes.
- Up to four cabinets can be stacked vertically when used with 60" tall shelves and 3 when used with 44" tall shelves.

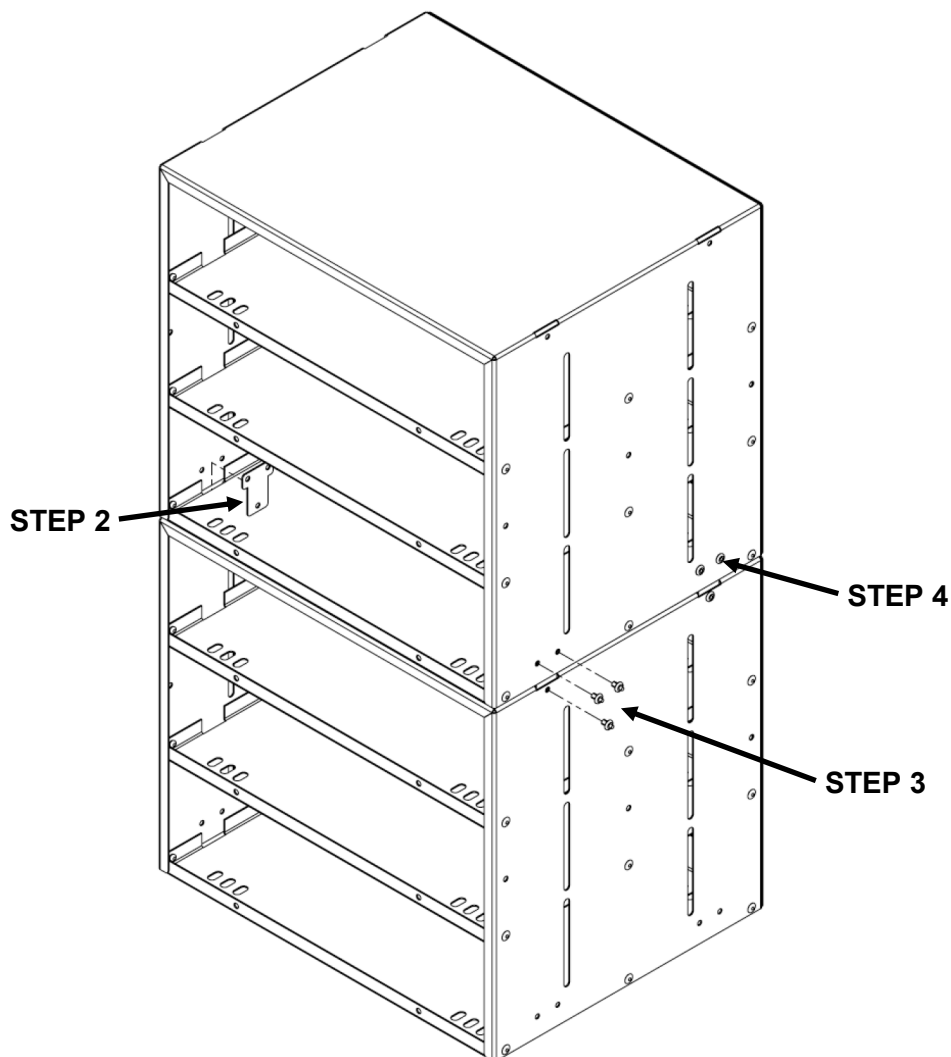
STEP 1. Place one cabinet on top of the other.

STEP 2. Insert four connecting straps into the notches on the base of the upper cabinet and through the corresponding notches of the lower cabinet.

STEP 3. Place 3 drive pin rivets in through the cabinet walls and each connecting strap.

STEP 4. Strike the pin in the end of each rivet to fasten the connecting strap to the cabinet walls. Repeat Steps 1 through 4 for the remaining cabinets getting stacked. Note: Using a hand sledge provides more control compared to a normal hammer, drastically reducing the chance of cosmetic damages.

STEP 5. Fasten the bottom-most cabinet to the van floor in the desired position and orientation (see page 5).



INSTALLATION INSTRUCTIONS FOR FLOOR MOUNTING

- Check the fit of floor mounted accessories and shelf units in the van before drilling holes in the floor.
- Review the vehicle manufacturer's body builder guide to make sure your desired mounting location is in accordance.
- It is always better to through-bolt when possible.
- If stacking units, it is recommended to secure the upper unit to the side wall of the vehicle as well as the shelves.
- Use the widest possible mounting holes to maximize stability.
- Cabinets will require removal of the bottom case or the bins that are directly above the pre-punched mounting holes.

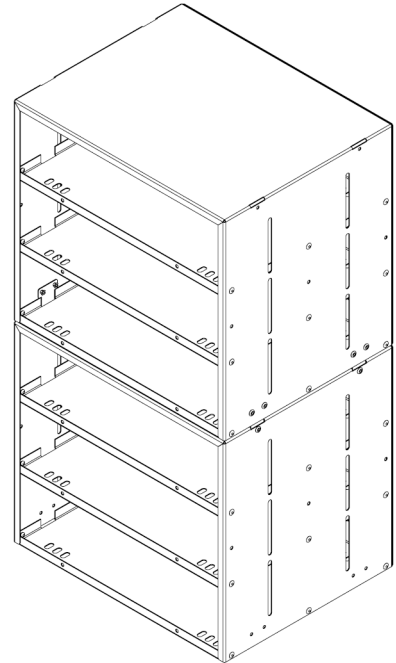
STEP 1. Place the cabinet in position and mark through the holes in the floor of the cabinet.

STEP 2. Remove the cabinet and drill the locations with a 3/8" drill bit. It will help to drill a pilot hole using a 1/8" drill bit.

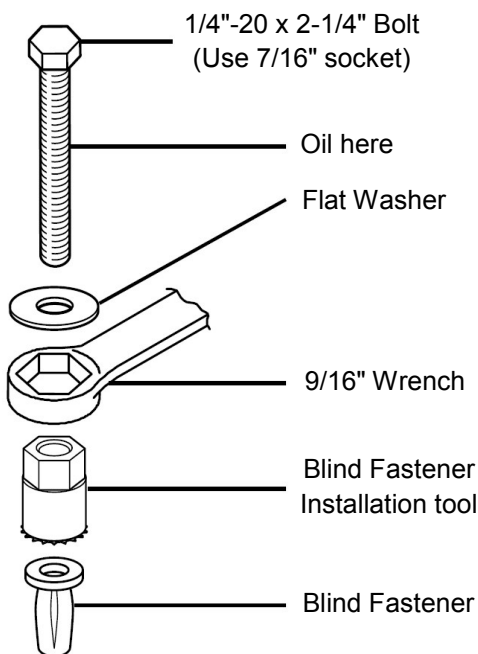
STEP 3. Mount the cabinet using the provided hardware. ***Through-bolting the drawer unit will provide the most stable installation.*** Install the blind fasteners when through-bolting is not an option.

STEP 4. Tighten the hardware to 76 in-lbs.

STEP 5. Re-install the bottom case or bins.



INSTALLATION INSTRUCTIONS FOR BLIND FASTENERS



- It will help keeping the assembly cooler by placing a drop of oil on the 1/4"-20 x 2-1/4" bolt before assembling as shown.
- Place the blind fastener in the hole and use a 7/16" socket and driver to tighten the bolt until the blind fastener is fully seated.
- When setting the bolt, it will start out tight and will get easier as the blind fastener "bulbs" out until it bottoms out.
- Make sure the blind fastener and the installation tool do not slip during the process.

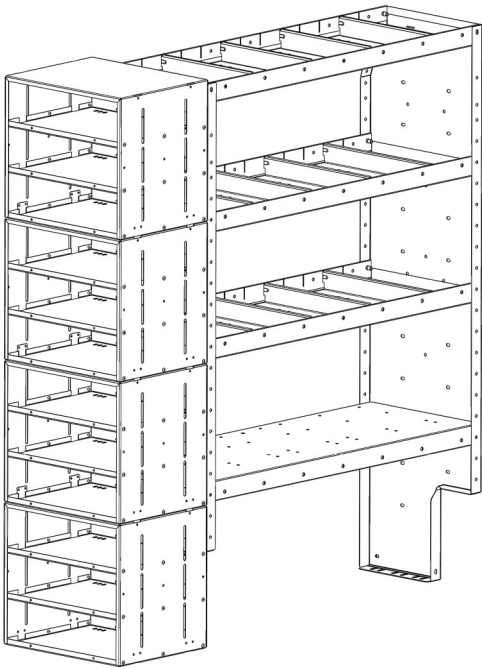
ATTACHING TO THE SHELF END PANELS AND MOUNTING CHANNEL

- Cabinets require to be fastened to the end panels.
- Cabinets can be attached inline with the shelves or perpendicular to the end panel when installed by the doors.
- It works best when used with 13.5" deep shelves for in-line configuration and 16" deep shelves for the perpendicular door side configuration.

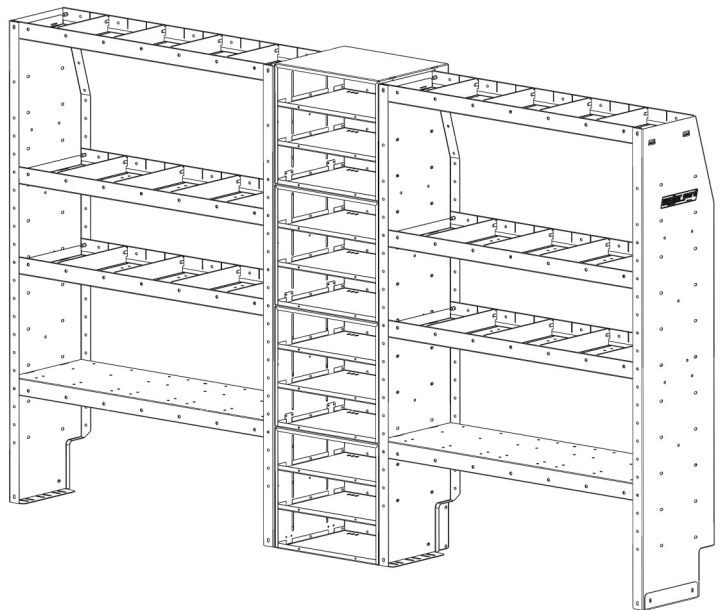
STEP 1. Align the cabinet(s) to the front face of the shelf end panel.

STEP 2. Align the loosely mounted end panel strap between the shelf end panel and any of the vertical slots on the sides of the upper most cabinet and fasten it using 1/4-20 x 5/8" bolts, fender washers, and 1/4-20 nylon lock nuts. Tighten to 76 in-lbs.

STEP 3. Fasten the remaining cabinet(s) to the end panel. Top and the bottom cabinet must be fastened to the end panel.



**Door side (perpendicular)
configuration with 16"
deep shelf**



**In-line configuration with
13.5" deep shelf**

WARNING

This product can reduce the driver's ability to clearly see roadways, vehicular or pedestrian traffic and other objects through the rear and side windows of the vehicle, which can cause an accident. Extra precautions should be taken when driving a vehicle with this product. Make all adjustments necessary to ensure maximum visibility, including but not limited to, changing mirror and seating positions. State and local laws may prohibit obstruction of windows in a moving vehicle.

These instructions are to be followed using the parts and fasteners supplied for proper installation. Any modifications or improper installation of this product will create a hazardous condition that could result in death, serious personal injury and/or property damage.

CAUTION

Prior to drilling, so as not to cut electric wires, fuel lines, brake lines, etc., check behind and underneath drilling and mounting locations. To keep debris out of your eyes when checking the underside of the vehicle, or when drilling, always wear protective eye wear. Failure to heed this warning will result in death or serious injury.

- NOTICE -

Any modification or unintended use of this product shall immediately void all manufacturer's warranties. Manufacturer disclaims all liability for injuries to persons or property resulting from any modification to, or unintended use of this product.

WERNER CO. LIMITED LIFETIME WARRANTY FOR WEATHER GUARD® PRODUCTS

WEATHER GUARD® Products — Limited Lifetime Warranty (Purchased on or after 1/1/2009)

WERNER CO. (the "Manufacturer") warrants to the original purchaser only that WEATHER GUARD® Truck and Van Products (the "WEATHER GUARD® Product") will be free from defects in material and workmanship from the date of purchase and continuing for the expected lifetime of the WEATHER GUARD® Product. A copy of the original sales receipt must be supplied to the Manufacturer at the time a warranty claim is made. This warranty terminates if the original purchaser transfers the WEATHER GUARD® Product to any other person.

What is Covered

All WEATHER GUARD® Products identified above that are purchased on or after January 1, 2009.

What We Will Do to Correct Problems

Subject to the limitations and exclusions described in this limited warranty, the Manufacturer will remedy defects in materials or workmanship by providing one of the following remedies at its option and without charge to the original purchaser for parts or labor: (a) repairing the defective portion of the WEATHER GUARD® Product or (b) replacing the entire WEATHER GUARD® Product. In addition, the manufacturer may elect at its option, not to repair or replace the WEATHER GUARD® Product, but rather issue to the original purchaser a refund equal to the purchase price paid for the WEATHER GUARD® Product or a credit to be used toward the purchase of new WEATHER GUARD® Product.

What is Not Covered

This limited warranty expressly excludes:

- Defects caused by normal wear and tear, cosmetic rust, scratches, accidents, unlawful vehicle operation, or modification to the product, or any types or repair of a WEATHER GUARD® Product other than those authorized or provided by the Manufacturer.
- Defects resulting from conditions beyond the Manufacturer's control including, but not limited to misuse, overloading, or failure to assemble, mount or use the WEATHER GUARD® Product in accordance with the Manufacturer's written instructions or guidelines included with the WEATHER GUARD® Product or made available to the original purchaser.
- Damage to the contents of the box or vehicle.
- TO THE EXTENT PERMITTED BY LAW, IN NO EVENT SHALL THE MANUFACTURER BE LIABLE FOR ANY INCIDENTAL, SPECIAL, INDIRECT, OR CONSEQUENTIAL DAMAGES, INCLUDING ANY ECONOMIC LOSS, WHETHER RESULTING FROM NON-PERFORMANCE, USE, MISUSE OR INABILITY TO USE THE WEATHER GUARD® PRODUCT OR THE MANUFACTURER'S NEGLIGENCE.

No Other Express Warranty Applies

This Limited Lifetime Warranty is the sole and exclusive warranty for WEATHER GUARD® Products. No employee, agent, dealer, or other person is authorized to alter this warranty or make any other warranty on behalf of WERNER CO.

Notification Procedures

If the WEATHER GUARD® Product does not conform with the terms of this limited warranty, the original owner must promptly notify the Manufacturer in writing upon discovery of the nonconformity. In order to receive the remedies under this limited warranty, the warranty claim must describe the nature of the nonconformity, and a copy of the original sales receipt, invoice, bill or other proof of purchase must accompany the claim. Repairs or modifications made to the WEATHER GUARD® Product by other than the Manufacturer or its authorized agent will nullify this limited warranty. Coverage under this limited warranty is conditioned at all times upon the owner's compliance with these required notification and repair procedures. Warranty claims must include reciprocal contact information and may be made via certified mail to:

WERNER CO.

ATTN: Weather Guard® Warranty Claims
555 Pierce Road, STE 300 • Itasca, IL 60143 USA

weatherguard.com

If you have any questions, please call toll free at 1-800-456-7865

