

## WIRING

To Chassis Ground -----① **BLACK**

To +VCD(fuse @ 2A) -----⑤ **RED**

Pin is empty-----④ **GREY**

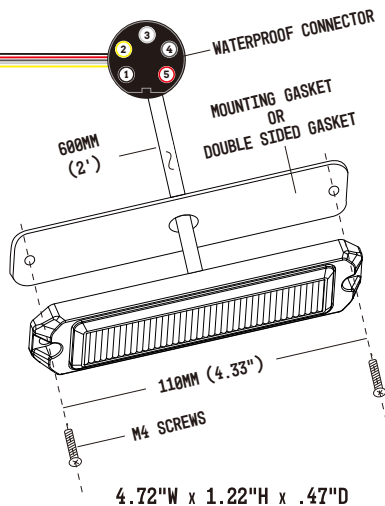
For Synchronization -----③ **WHITE**

- Connect WHITE wires of all light heads together for synchronization.

For Pattern Selection --② **YELLOW**

- Connect YELLOW wire to ground for Flash Pattern Selection:

- ..... Less than one second to next pattern
- ..... 1-3 seconds to previous pattern
- ..... More than 5 seconds to turn off the lights
- ..... Save and exit setting mode by disconnecting all power.



## INSTALLATION

Two mounting options available.

1. Double sided 3M VHB tape provided for direct tape mount.
2. Both self-tapping & round head screws are provided for screw mount.

## FLASH PATTERNS:

1.	Single Flash	14.	Triple Flash - Alternate
2.	Single Flash - Slow	15.	Quad Flash - Alternate
3.	Double Flash	16.	Octa Flash - Fast - Alternate
4.	Double Flash - Slow	17.	Single Flash - Split
5.	Triple Flash	18.	Double Flash - Split
6.	Quint Flash - Fast	19.	Quad Flash - Split
7.	Quint Flash - Slow	20.	Octa Flash - Split
8.	Octa Flash - Fast	21.	Single Flash - Split accelerate
9.	Octa Flash - Slow	22.	Double Flash - Split accelerate
10.	Twelve Flash	23.	SOS Flash
11.	Sixteen Flash	24.	Cycle(1,8,3,9,4,18)
12.	Single Flash - Alternate	25.	Cycle(2,7,9,11,19,21)
13.	Double Flash - Alternate	26.	Steady on

## WIRING

To Chassis Ground -----① **BLACK**

To +VCD for Default

Color 1 (fuse @ 2A) -----⑤ **RED**

To +VCD for Default

Color 2 (fuse @ 2A) -----④ **GREY**

- For DUAL COLOR operation you must connect both RED and GREY wire to +VDC at the same time.

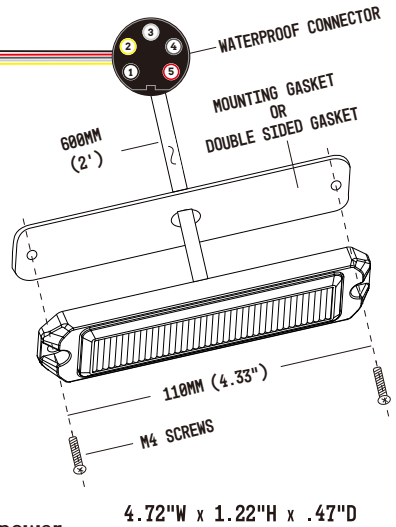
For Synchronization -----③ **WHITE**

- Connect WHITE wires of all light heads together for synchronization.

For Pattern Selection ---② **YELLOW**

- Connect YELLOW wire to ground for Flash Pattern Selection:

- ..... Less than one second to next pattern
- ..... 1-3 seconds to previous pattern
- ..... More than 5 seconds to turn off the lights
- ..... Save and exit setting mode by disconnecting all power



## INSTALLATION

Two mounting options available.

1. Double sided 3M VHB tape provided for direct tape mount.
2. Both self-tapping & round head screws are provided for screw mount.

## FLASH PATTERNS:

1.	Single Flash	12.	Left steady on - Right single Flash
2.	Single Flash - Slow	13.	Right steady on - Left single Flash
3.	Double Flash	14.	Left steady on - Right double Flash
4.	Double Flash - Slow	15.	Right steady on - Left double Flash
5.	Quint Flash	16.	Left single Flash - Right single Flash
6.	Octa Flash	17.	Left double Flash - Right double Flash
7.	Single Flash - Alternate	18.	Left quint Flash - Right quint Flash
8.	Double Flash - Alternate	19.	Left octa Flash - Right octa Flash
9.	Quint Flash - Alternate	20.	Cycle
10.	Octa Flash - Alternate	21.	Steady on
11.	Twelve Flash - Alternate		