



Bugflector® / Bugflector II® Carflector™

Quick and Easy Installation Instructions

CONTENTS

- | | |
|----------------|-----------------------|
| (1) Bugflector | (1) instruction sheet |
| (4) bump-ons | (2) plastic fasteners |

IMPORTANT: Read all instructions carefully before beginning installation. The Bugflector mounts behind the grill and under the outer edge of the hood.

STEP 1

Raise the hood. Remove the (6) nuts and (4) screws attaching the grill to the underside of the hood. See **FIGURE 1**. Carefully set the grill and hardware aside.

STEP 2

Place the Bugflector on the leading edge of the hood with the middle flange overhanging and the end flanges positioned under the outer edges of the hood.

STEP 3

Align the predrilled hole in the end flange of the Bugflector with the existing hole in the hood. Using a phillips screwdriver, install fastener. **SCREW UNTIL SNUG; DO NOT OVERTIGHTEN.** Repeat the procedure for the hole on the opposite side of the Bugflector. See **FIGURE 2**

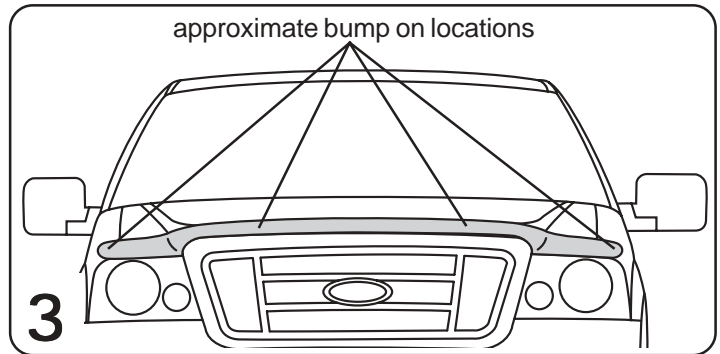
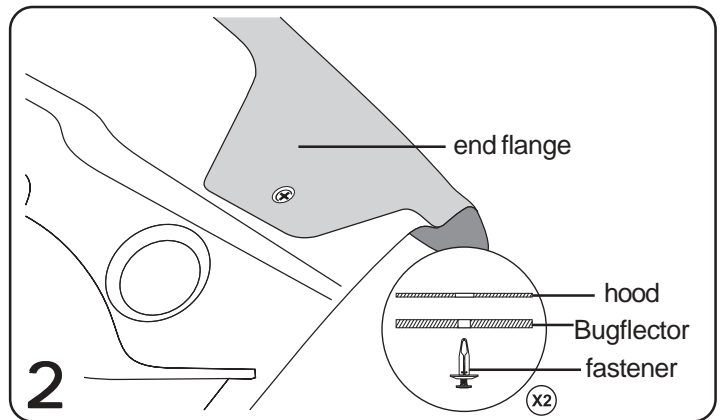
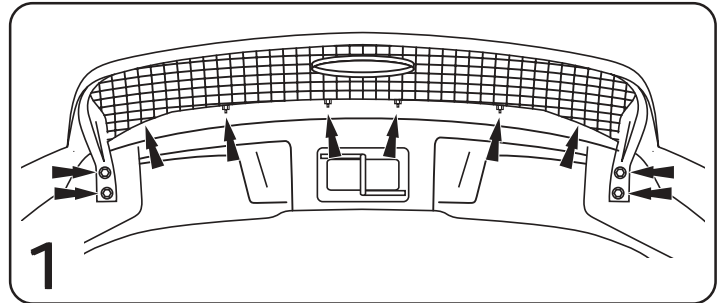
STEP 4

Ensure the middle flange is properly positioned between the hood surface and grill. Then reattach the grill to the hood using the (6) grill nuts and (4) grill screws previously removed in **STEP 1**.

STEP 5

Attach bump-ons to the hood as shown in **FIGURE 3**. If the hood will not shut properly, it may be necessary to adjust the hood bumper stops (refer to your owner's manual).

NOTE: Actual application may vary slightly from drawings.



Congratulations!

You have purchased one of the many quality items manufactured by Auto Ventshade. We take the utmost pride in our products and want you to enjoy years of satisfaction from your investment. We have made every effort to ensure that your product is top quality in terms of fit, durability, finish and ease of installation.



AUTO VENTSHADE.
655 RACO DRIVE
LAWRENCEVILLE, GA 30245 U.S.A.
1-800-241-7219
WWW.AUTOVENTSHADE.COM

© 2003 LUND INTERNATIONAL, INC. ALL RIGHTS RESERVED.
AUTO VENTSHADE™ AND THE AUTO VENTSHADE™ LOGO
ARE TRADEMARKS OF LUND INTERNATIONAL, INC.