

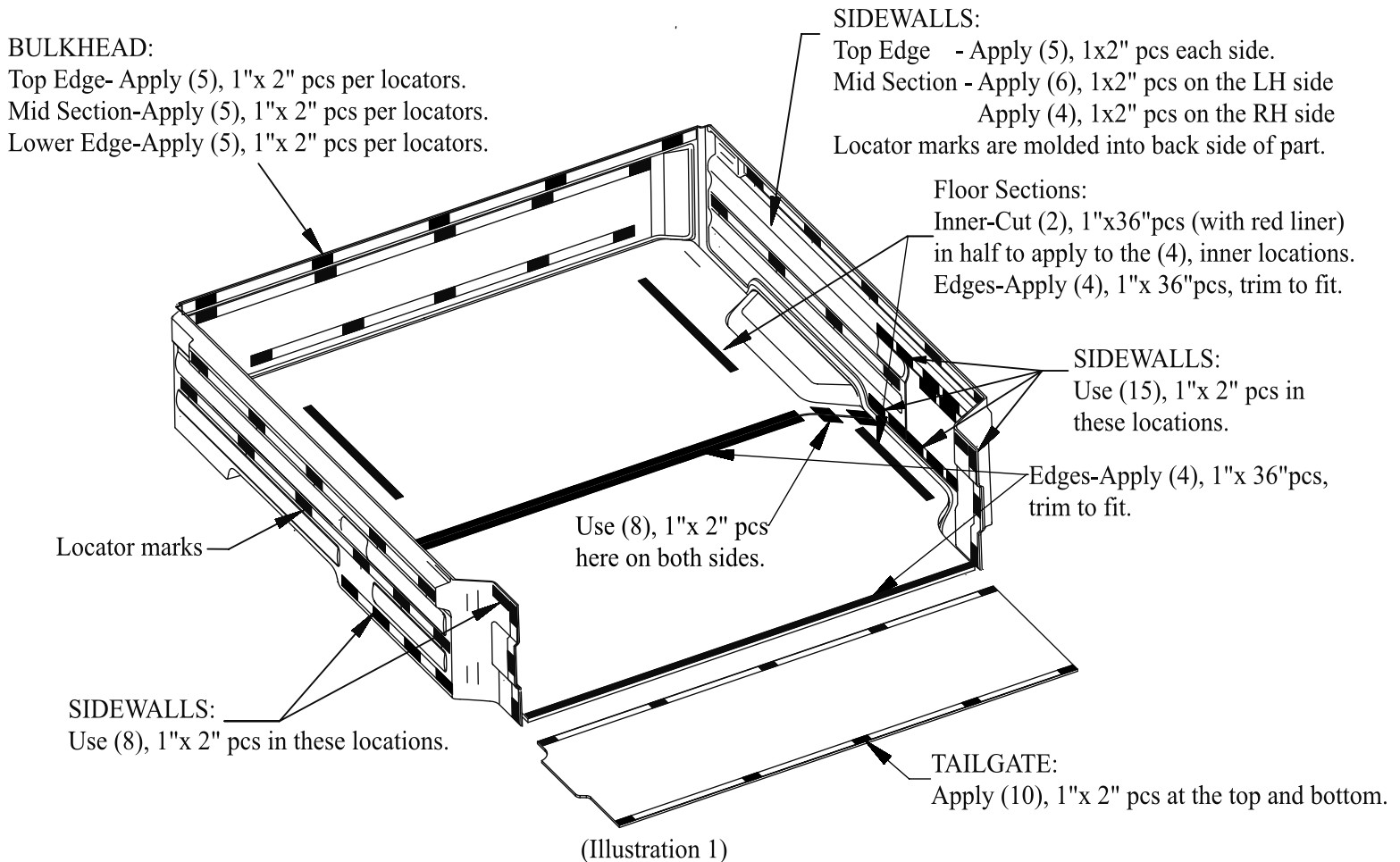
# ***BEDRUG, Inc.***

## HONDA RIDGELINE BEDRUG® BEDLINER INSTALLATION INSTRUCTIONS

WARNING: IMPROPER INSTALLATION WILL RESULT IN LINER FLYING OUT OF THE TRUCK! FOLLOW INSTRUCTIONS EXACTLY!

1. Read all instructions before installing the BedRug. THE TRUCK BED SURFACE TEMPERATURE SHOULD BE 68° F OR HIGHER IN ORDER FOR THE HOOK FASTENERS TO ACHIEVE MAXIMUM ADHESION. NEVER CONTAMINATE THE ADHESIVE BY TOUCHING IT WITH YOUR FINGERS.
2. Zip the front half of the BedRug floor to the bulkhead and sidewalls. Apply the hook fasteners to the BedRug before putting the BedRug into the truck bed. Do NOT remove the protective liner on the back of the hook fasteners at this time.
3. Apply the hook fasteners to the BedRug per Illustration 1.

### **HOOK FASTENER LOCATIONS**



4. Lay the front section of the floor with the bulkhead and sidewalls into the truck bed.  
Ensure that it is positioned up against the front of the truck bed where the rear edge of the floor does not interfere with the trunk lid.

Clean the areas where the hook fasteners will attach to the truck bed. Clean the areas with alcohol first, then apply the 3M 4298 adhesive promoter and let dry before adhering hook fasteners.

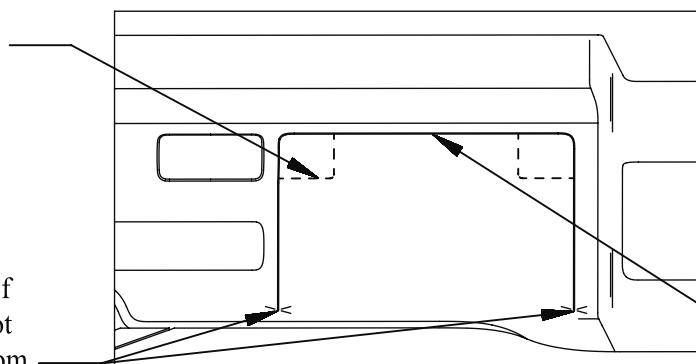
Note: Clean, apply promoter and adhere each hook fastener before moving to the next. Do not clean and apply adhesive promoter to multiple areas before adhering hook fasteners because these surfaces may become contaminated where the adhesive will not adhere permanently.

5. Attach BedRug components in the following sequence:
  - a. Floor- Roll each side up to locate and attach the inner hook fasteners with the red liner. Slide the cargo hooks through the slits in the front corners of the floor. Attach the rear edge of the floor last. Be sure the rear edge of the front floor section does not interfere with the trunk lid when the trunk lid is opened.
  - b. Bulkhead-Work from the bottom up and the center out.
  - c. Sidewalls-Attach the lower and mid section fasteners toward the front first. Use the cut outs for the lights to locate the rear section of the sidewalls. The sidewalls may be installed either with or without removing the tie down hooks. Indicators are provided for both options.
  - d. Indicators for cutting around the toolbox door are on the back of the passenger side sidewall (Refer to Illustration 2). **BE CAREFUL NOT TO CUT ALL THE WAY THROUGH THE BOTTOM EDGE OF THE SIDEWALL!** Indicators are also provided for cutting around the latch openings for permanent access to latch handles, if desired.

**OPTIONAL:**

Cut on score lines (shown here as dashed lines) to allow open access to toolbox door latches, if desired.

Stop cut at the end of the score line. Do not cut through the bottom edge of the sidewall.



(Illustration 2)

- e. Attach the lower pieces of hook fastener on the lower edges of the truck bed sidewall.
6. Attach rear floor section to truck lid. Attach the hook fasteners at the side edges with the red liner first then the front and rear edges. Ensure that the front edge does not interfere with the front section of the BedRug.
7. Attach the top, bottom, and side hook fasteners to the tailgate.

# BEDRUG® CLEANING INFORMATION

The mildew resistant BedRug foam will not absorb liquids. The engineered polypropylene fiber top surface resists stains and deterioration from most acids, chemicals, gas and oils, etc. Therefore, by following the cleaning instructions below, your BedRug will remain serviceable for as long as you own your truck.

## Cleaning your BedRug is easy:

1. A vacuum, broom, brush or compressed air can be used to remove dirt, grime, sand, mulch, etc. Due to the fact that water will not harm the BedRug, pressure washing is also an effective way to clean a soiled BedRug.
2. Although most acids will not harm the BedRug, baking soda should be applied immediately to neutralize the acid to ensure the safety of the paint on the truck.
3. To clean tougher jobs such as gasoline, oil, chemicals, acid spills or leaks from your BedRug, use detergent soap with degreaser and water then rinse thoroughly. This detergent soap is used in most car wash locations with pressure washing equipment. The BedRug polypropylene closed-cell foam will not absorb water and the polypropylene fiber dries in minutes.

If you have additional questions, call BedRug Inc. customer service at 800-462-8435.

**Retain this cleaning information with your vehicle owner's manual for future reference.**

## LIMITED WARRANTY

BedRug Inc. warrants BedRug®, BedTred™, VanRug™, and VanTred™, for pickup trucks and vans to be free from defects in materials and workmanship. BedRug Bedliners will be warranted for the duration of the vehicle ownership by the original BedRug purchaser. The terms of this warranty may vary from state to state. You may have rights under specific state laws that differ from the terms of this warranty. Proof of purchase will be required for warranty service. Customer modifications and/or improper return packaging of the product may void this warranty. Product should be cleaned before return. For warranty instructions, returns and packaging, contact BedRug Inc. Customer Service at 800-462-8435. Labor and shipping are not covered under the terms of this agreement.

**Retain this warranty information with your vehicle owner's manual for future reference.**

**FOR WARRANTY SERVICE CALL 800-462-8435**

## PRODUCT REGISTRATION

Thank you for purchasing your BedRug product! We would appreciate it if you would take a few minutes to register your purchase. Registration allows us to provide, with your permission, important updates, service information, helpful hints or warranty service should you ever require technical support. BedRug offers the option of returning product registration forms electronically, rather than having to fill them out by hand. You can be assured that BedRug does not share or sell the information you provide. Save a copy of your sales receipt. Activate your warranty by registering your product online at <http://www.bedrug.com/customer-service/product-registration.html> or by scanning the QR code. You will need the 6-digit lot and date code found on the underside of the tailgate, see example.



PN **TGC07**  
DESC 07+ GMT900 TAILGATE  
WO#511247 LOT # 123456  
DATE: 04/13/12 TR# S1E123  
MADE IN USA