



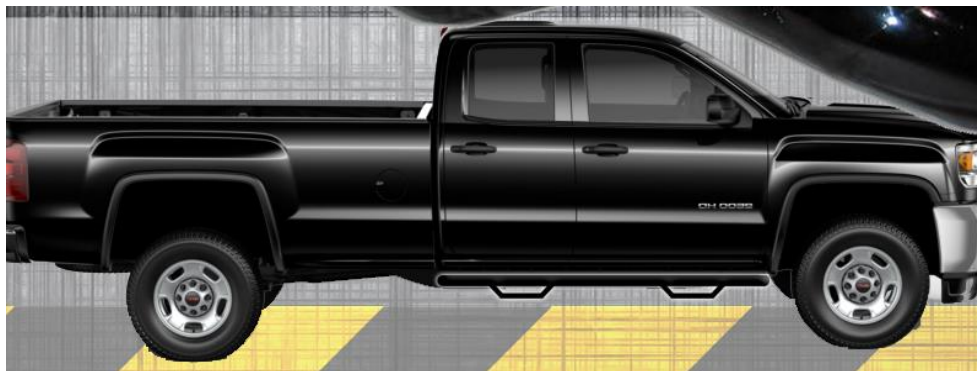
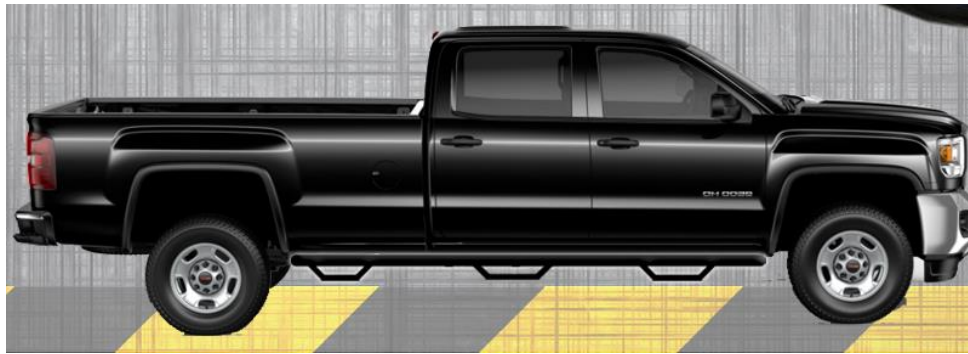
PART NUMBER: ALL C17 CREW CAB
MODELS

PRODUCT: STEPS

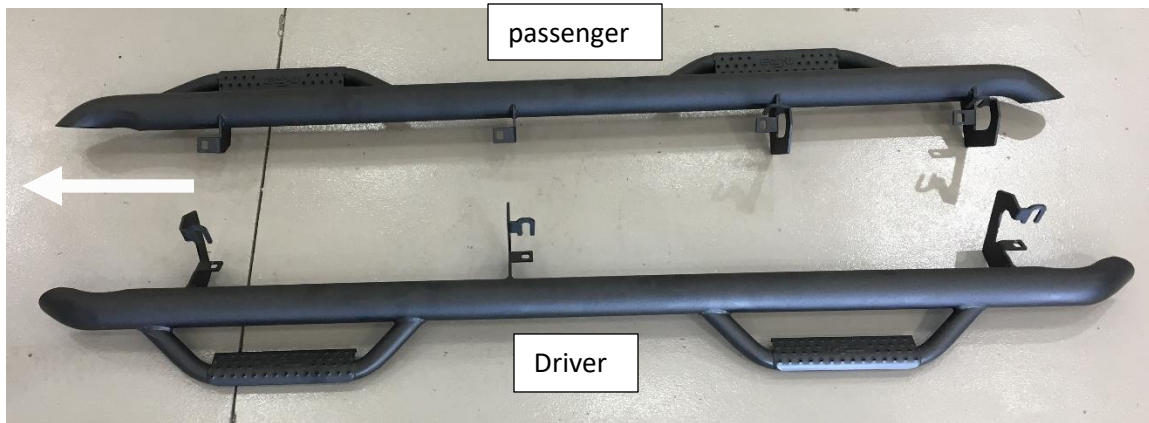
APPLICATION: 2017-C

CHEVY & GMC 2500/3500
DIESEL

Parts Included:	Qty
Driver side step	1
Passenger side step	1
Hardware Pack: C17-CC	1
M8x25mm Hex Bolt	12
M8 Hex nuts	7
Fender washer	19
M8 Speed clips	2



Step 1: Identify the driver and Passenger side step. The Passenger side step will have 2 small brackets towards the front of the tube and 2 large brackets towards the rear of the tube.



Step 2: With the correct step in placed on each side of the vehicle, take note of where the brackets are located. Look on the underside of the body and locate the factory supplied mounting positions.
NOTE: Some vehicles require the use of speed clips and nuts which are supplied with the hardware kit.

Step 3: If your vehicle requires the use of the speed clips, install at this time. This requires the removal of a plastic body plug. Using a flat head screw driver remove the plug and install one of the supplied speed clips.



Step 4: Starting with the passenger side step, carefully lift up into position aligning the brackets to the mounting locations in the body of the vehicle and install hardware. Do not tighten all the way.
NOTE: Some vehicles may require the use of additional nuts and washers for the lower portion of the mounting bracket which are supplied in the hardware kit.

Step 5: After final positioning, start at the rear of the vehicle and tighten the lower portion of the bracket to 15-20 ft/lbs of torque. Continue this until all of the lower have been tighten then move to the top bolt and repeat the process.

Step 6: Repeat steps 1-5 for driver side.