

2008-2016 Ford F-250 thru F-550 Super Duty Crew Cab Behind-the-Seat Storage

Fits DU-HA Part Number
20054

Materials Needed:

- // Phillips screw driver
- // 13mm socket

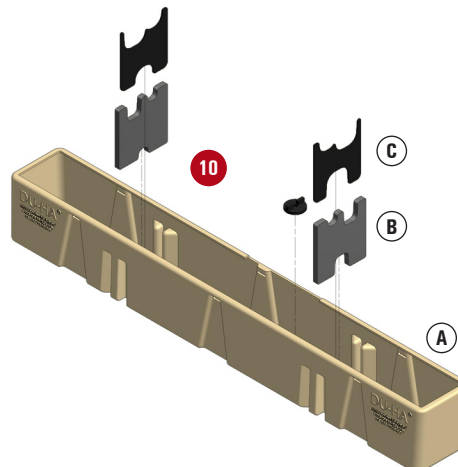
Installation Instructions:

- 1 Tilt the backs of the rear seats forward.
- 2 On the driver's side, remove plastic cover (located by the seat bottom tilt lever) using Phillips screw driver, then remove plastic cover covering side rear portion of seat (be careful not to break spring clips when removing).
- 3 Remove the two bolts holding the seat back using a 13mm socket, then pull seat back forward.
- 4 Remove plastic wing nut and bracket from jack handles. (The plastic wing nut and bracket will be used later to secure the DU-HA in place.) Remove the jack handles and set aside.
- 5 From the passenger's side, remove jack and set aside. (Jack will be placed back in holder after DU-HA is installed.)
- 6 From the driver's side, insert the DU-HA behind the passenger's seat, making sure the DU-HA lettering faces towards the front of the truck. Push the driver's seat forward while pushing the end of the DU-HA down behind the passenger's seat. (This will be a snug fit so you will have to apply some pressure.) This will work better if you raise the end you are holding (as pictured). Line up pre-drilled hole in the DU-HA with the secured nut in the floor where the plastic wing nut and bracket were removed from the jack handles.
- 7 Screw the plastic wing nut and bracket onto the secured nut until snug. Do not overtighten.
- 8 Secure the jack into its original holder.
- 9 Re-attach seat back in same manner as removed using existing bolts and 13mm socket. Re-attach plastic covers. Snap rear cover back into same holes and secure front cover with the Phillips screw.
- 10 If desired, install foam organizer/gun racks with plastic stiffeners by bending and snapping them into the channel slots in the DU-HA. Gun racks can be installed to hold two guns or one gun depending on how you install them. Jack handles can be placed in the DU-HA or on the floor behind the seat.



Safety Instructions:

Warning: Seat back must be latched up at all times while vehicle is moving. Make sure the DU-HA is secured in the vehicle according to installation instructions. Do not store explosives or hazardous materials in the DU-HA. Do not place loaded guns in the DU-HA. For further instructions refer to truck owners manual or contact DU-HA, Inc.



Part	Description	Qty
A	DU-HA Storage Unit	1
B	Foam Organizer / Gun Rack	2
C	Plastic Stiffener	2
D	Nylon Strap with Buckle	2

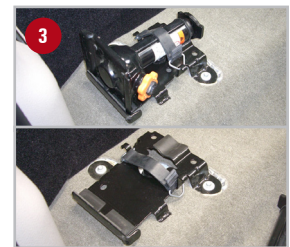
Note: Under seat storage is also available for this truck. Visit www.du-ha.com for more information.

2008-2015 Ford F-250 thru F-550 Super Duty Regular Cab *Behind-the-Seat Storage*

Fits DU-HA Part Number
20054

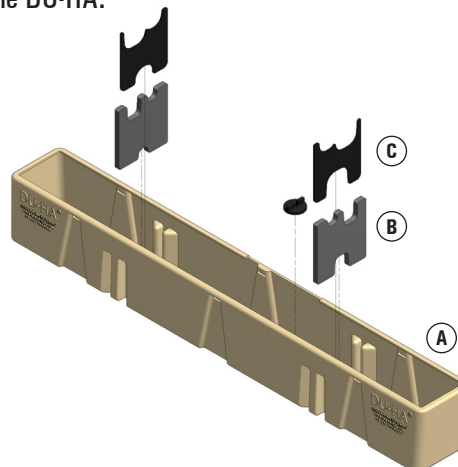
Installation Instructions:

- 1 Open the driver's side door. Tilt and slide the seat forward.
- 2 Behind the seat you will have a jack tools bag. Turn the plastic wing nut on the jack tools bag and remove the wing nut and metal bracket. *(The plastic wing nut and bracket will be used later to secure the DU-HA in place.)* Remove the jack tools bag and set aside.
- 3 From the passenger's side, remove the jack and set aside. Leave the black holder in place. *(The jack will be placed back in the holder after the DU-HA is installed.)*
- 4 Insert the DU-HA behind the seat, making sure the DU-HA lettering faces towards the front of the truck. Line up the pre-drilled hole in the DU-HA with the secured nut in the floor where the plastic wing nut and bracket were removed.
- 5 Screw the wing nut and bracket onto the secured nut until snug. Do not overtighten.
- 6 If desired, install the foam organizer/gun racks with the plastic stiffeners by bending and snapping them into the channel slots in the DU-HA (as pictured). Gun racks can be installed to hold two guns or one gun depending on how you install them.
- 7 Secure the jack into its original holder.
- 8 The jack handles can be placed on the floor behind the middle console or behind the jack and the DU-HA (as pictured). They may also be stored inside the DU-HA.



Safety Instructions:

Warning: Seat back must be latched up at all times while vehicle is moving. Make sure the DU-HA is secured in the vehicle according to installation instructions. Do not store explosives or hazardous materials in the DU-HA. Do not place loaded guns in the DU-HA. For further instructions refer to truck owners manual or contact DU-HA, Inc.



Part	Description	Qty
A	DU-HA Storage Unit	1
B	Foam Organizer / Gun Rack	2
C	Plastic Stiffener	2
D	Nylon Strap with Buckle	2