

**02–24 Dodge Ram 1500 Quad Cab/Crew Cab (Classic)**

*Fits DU-HA Part Numbers*

**03–24 Dodge Ram 2500 & 3500 Quad Cab/Crew Cab (Classic)**

30016

***Underseat Storage***

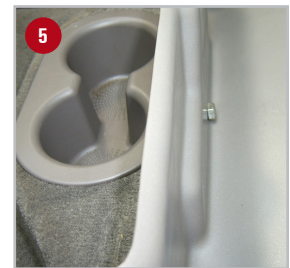
30017

### Materials Needed:

- // 13mm socket
- // 18mm socket

### Installation Instructions:

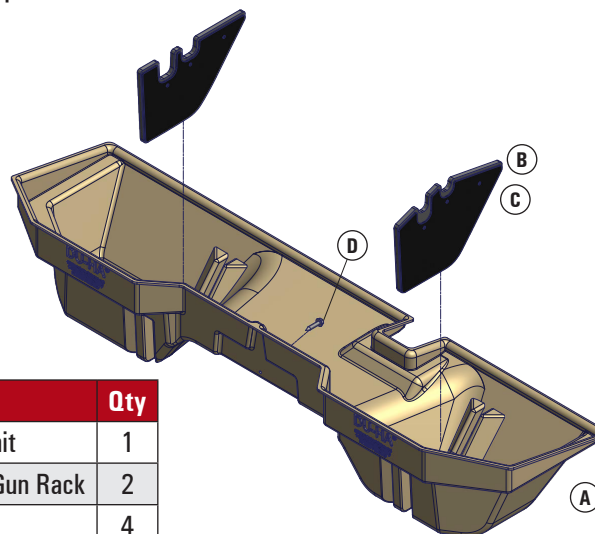
- 1 Flip up the bottoms of the back seats.
- 2 If your truck came equipped with optional metal trays, remove each tray by removing the two large bolts using an 18mm socket and the two small nuts using a 13mm socket. Once you have removed the metal trays, replace the braces, large bolts, and smaller nuts.
- 3 Remove the plastic push pin from carpet behind cup-holders, in the middle of the cab.
- 4 Set the DU-HA in the floor of the truck (as shown).
- 5 Secure the DU-HA in the truck using the Lag Screw (D) provided. Thread screw through pre-drilled hole in the front center of DU-HA and screw it into the hole the plastic push pin was removed from. *(The Lag Screw screws into a metal plate with a pre-drilled hole in it.)*
- 6 If desired, install Foam / Plastic Organizers/Gun Rack (B) (C) by sliding them into slots in the DU-HA (as shown). The Foam Organizer with larger slots needs to be installed on passenger side. Gun butts need to sit on passenger side so guns fit properly.



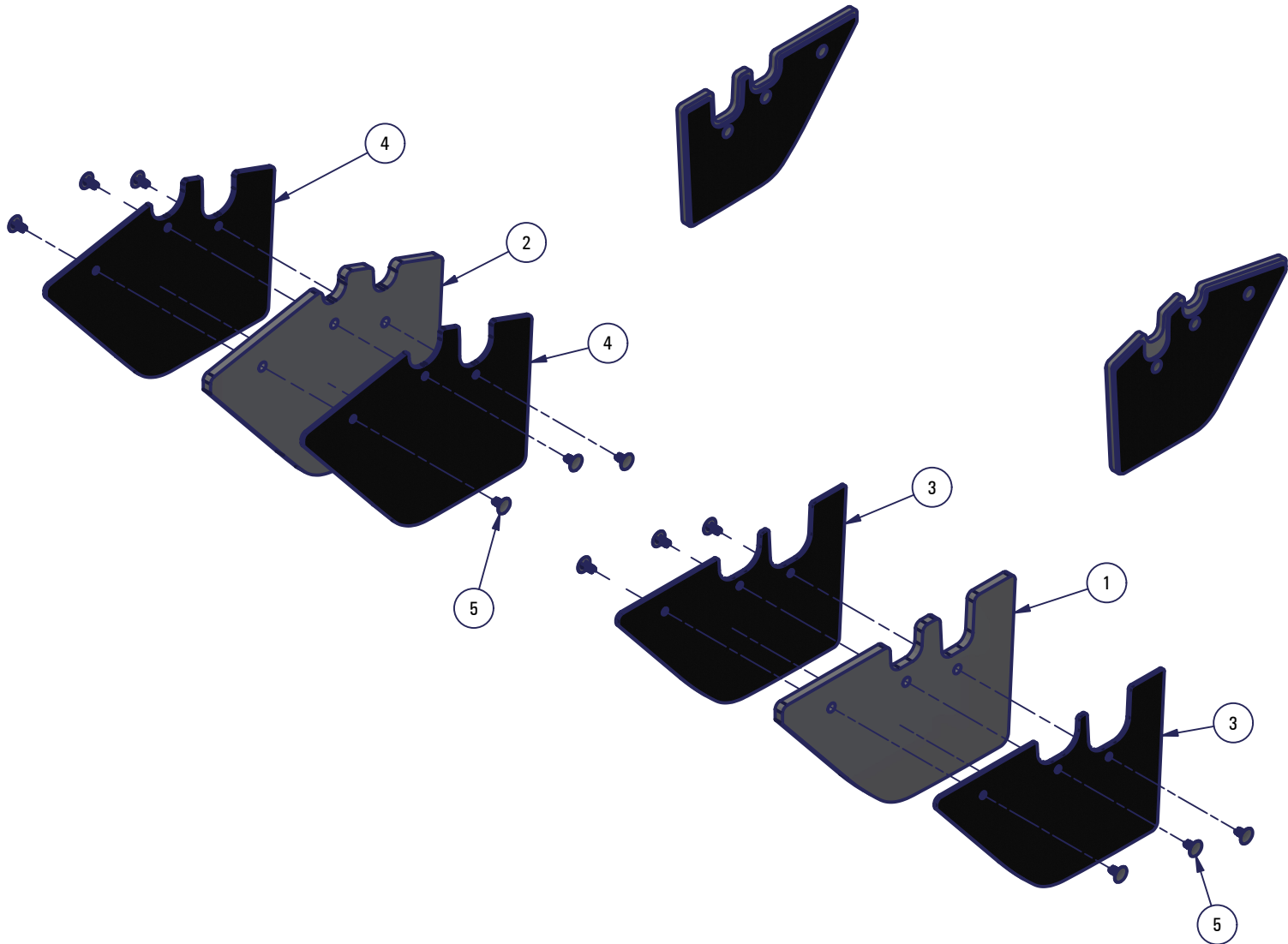
### Safety Instructions:

**Warning:** Seat bottom must be latched down at all times while vehicle is moving. Make sure the DU-HA is secured in the vehicle according to installation instructions. Do not store explosives or hazardous materials in the DU-HA. Do not place loaded guns in the DU-HA.

For further instructions refer to truck owners manual or contact DU-HA, Inc.

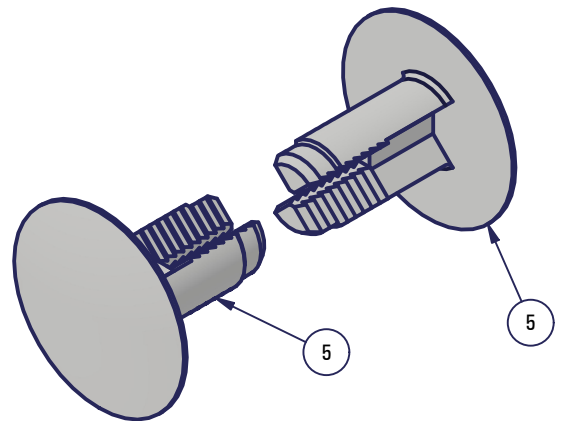


Part	Part Number	Description	Qty
A	--	DU-HA Storage Unit	1
B	Divider-30017	Foam Organizer / Gun Rack	2
C	Divider-30017	Plastic Stiffener	4
D	1001216	Lag Screw – 3/8" x 2"	1



Step 1: Use the provided hardware to assemble the gun rack \ dividers. Place a stiffener on each side of the foam and line up the holes.

Step 2: Use the Ratchet Rivets (5) to secure. Insert Ratchet Rivet (5) into the holes in stiffener, through the foam and from the other side insert another Ratchet Rivet (5) through the other stiffener, make sure the teeth on the Ratchet Rivets (5) oppose each other (as shown in detail) and line them up and push together using thumb or finger on each side, repeat for other holes. Do this for each gun rack \ divider.



Parts List			
ITEM	QTY	PART NUMBER	DESCRIPTION
1	1	1001311	30017 Left Gun Rack Foam
2	1	1001312	30017 Right Gun Rack Foam
3	2	1001323	30017 Left Gun Rack Stiffener
4	2	1001324	30017 Right Gun Rack Stiffener
5	12	1001297	Rivet Ratchet .5 Long x .406 OD Head - Black - 120308B