

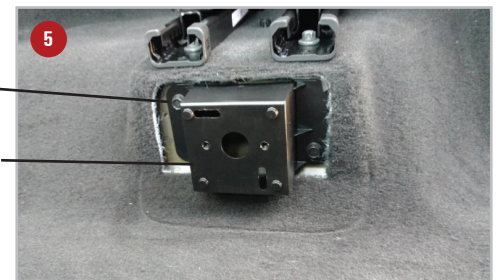
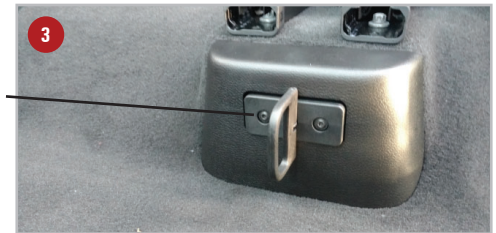
2019-20 RAM 1500 Crew Cab (NEW BODY STYLE) *Underseat Storage*

Fits DU-HA Part Numbers

30100	30101
30102	30120

Installation Instructions:

- 1 Lift up the bottoms of both sides of the back seat. If you do not have the factory divider proceed to step 6.
- 2 Remove the factory divider, use a 10mm socket to remove the 3 bolts on each side. Remove one end at a time, may need to pry out each side with a screw driver.
- 3 Remove the spring loaded handle that holds the factory divider. Remove the 2 screws using a #20 torx bit.
- 4 Remove the plastic cover around the plastic handle. Be careful not to break the plastic cover. You may need a flat screw driver to pry out the clips holding the cover.
- 5 Next, remove the plastic bracket that held the spring loaded handle. Use a 10mm socket to remove the 2 bolts holding the bracket.
- 6 Remove the 2 large bolts under the back seat one on each side (drivers and passengers side) using an 18mm socket.

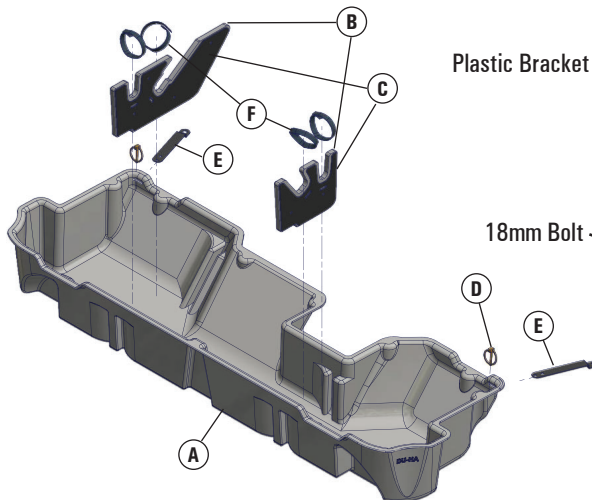


Safety Instructions:

Warning: Seat bottom must be down at all times while vehicle is moving. Make sure the DU-HA is secured in the vehicle according to installation instructions. Do not store explosives or hazardous materials in the DU-HA. Do not place loaded guns in the DU-HA. For further instructions refer to truck owners manual or contact DU-HA, Inc.



2 shotguns or rifles, 1 with scopes, will fit in the gun rack, as pictured.



Part	Description	Qty
A	DU-HA Storage Unit	1
B	Foam Organizer / Gun Rack	2
C	Plastic Stiffener	2
D	Lynch Pin	2
E	RAM Mounting Strap	2
F	Velcro Strap	4

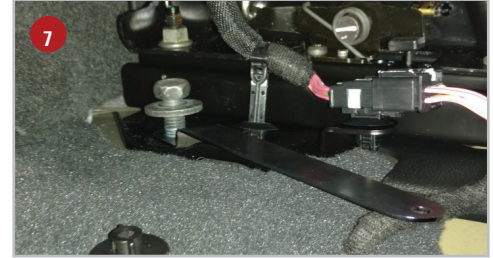
2019 RAM 1500 Crew Cab *NEW BODY STYLE* Underseat Storage

Fits DU-HA Part Numbers

30100 30101
30102 30120

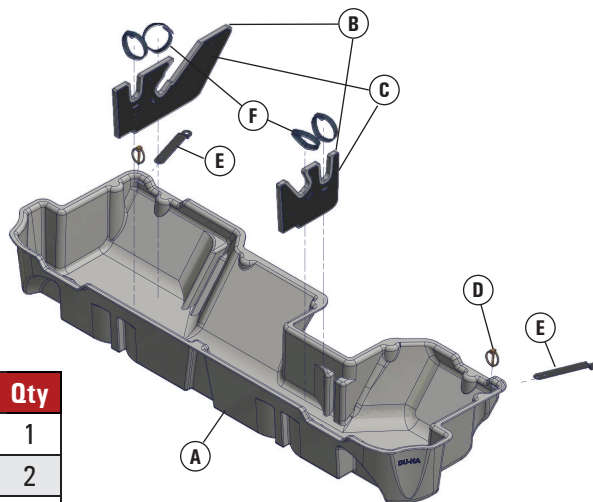
Installation Instructions:

- 7** Take the previously removed bolt and insert into the hole in the RAM mounting strap (E) (as shown) and thread into the hole it was removed from (1 on each side). Leave bolt loose.
- 8** Position the DU-HA (A) under the back seat, with the cut out slots facing towards the truck bed. Slide the RAM mounting straps (E) through the slots in the DU-HA (A).
- 9** Secure each RAM mounting strap (E) to the DU-HA (A) using Lynch Pins (D), open the loop on the pin and insert the pin through the small hole on the RAM mounting strap (E). There are 2 holes in the strap use the one that will hold the Du-ha in place the tightest. Once installed flip the loop closed to secure the pin. Tighten the 18mm bolts to secure the RAM mounting straps (E) in the truck. Torque bolts to manufacturers recommended torq spec.
- 10** Install the Foam Organizer / Gun Rack (B) and Plastic Stiffeners (C) by sliding them into the channel slots inside the DU-HA (A), as shown. Use the provided Velcro straps (F) to secure guns to the gun racks to help to keep them from moving around. Slide the Velcro strap through the hole under each gun rack slot and wrap around gun and onto itself to secure gun.
- 11** Lower the bottoms of both sides of the back seat to their original position.



Safety Instructions:

Warning: Seat bottom must be down at all times while vehicle is moving. Make sure the DU-HA is secured in the vehicle according to installation instructions. Do not store explosives or hazardous materials in the DU-HA. Do not place loaded guns in the DU-HA. For further instructions refer to truck owners manual or contact DU-HA, Inc.



Part	Description	Qty
A	DU-HA Storage Unit	1
B	Foam Organizer / Gun Rack	2
C	Plastic Stiffener	2
D	Lynch Pin	2
E	RAM Mounting Strap	2
F	Velcro Strap	4