

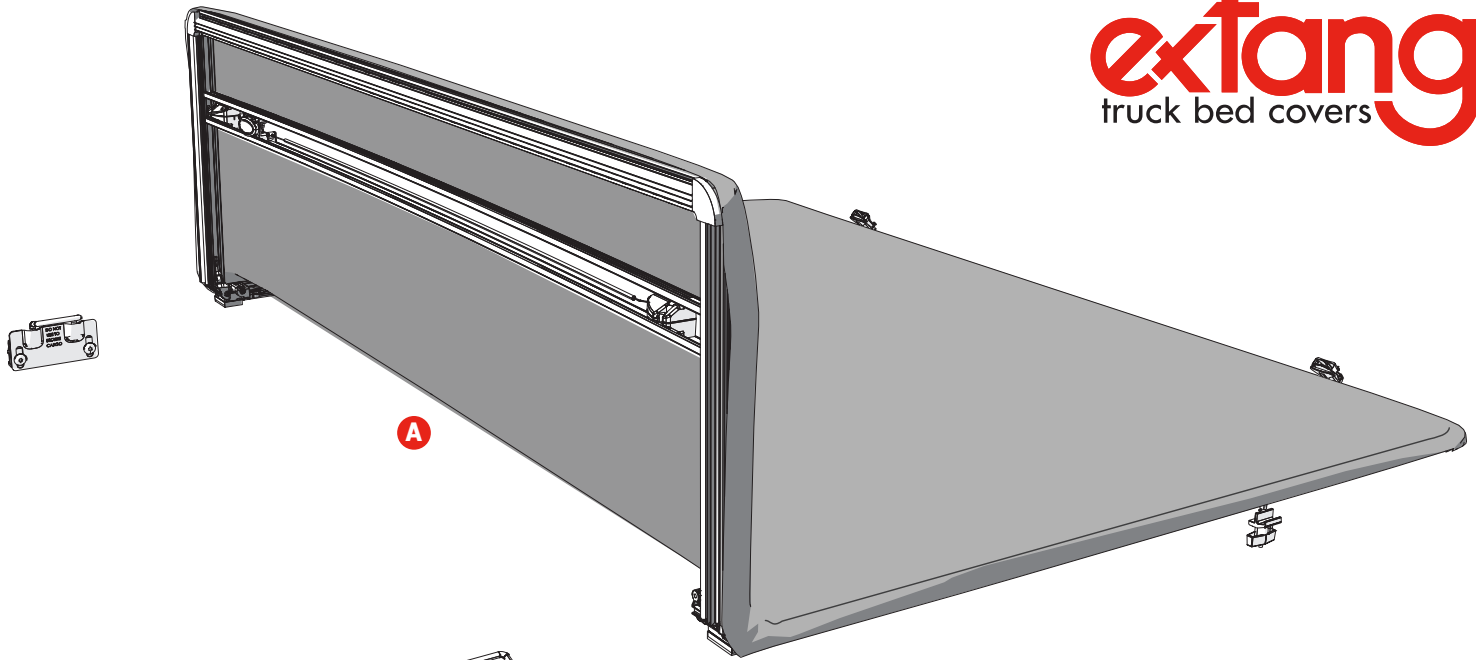


# TRIFECTA ALX RAMBOX INSTALLATION SHEET

**Any damaged or missing parts?**

Parts will be shipped to you directly.

Call 800-877-2588, Mon - Fri, 8:30 a.m. - 6:00 p.m. EST



**NOTE:** It is important that all areas where the bed cover mounts are clean and free of debris prior to installing.

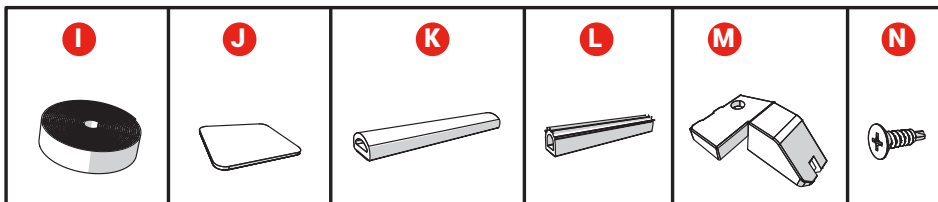
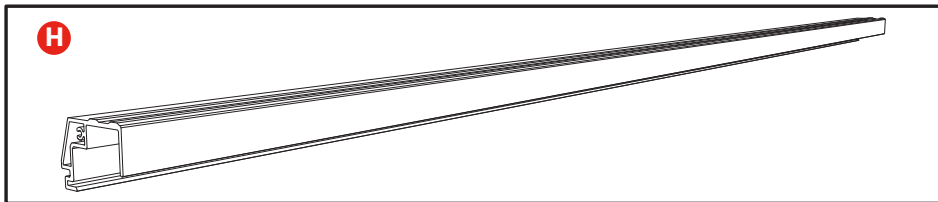
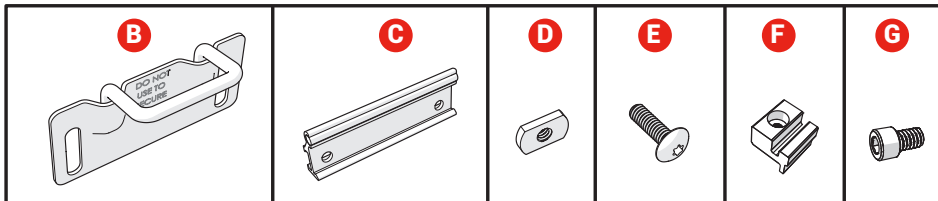
## PARTS INCLUDED IN YOUR KIT

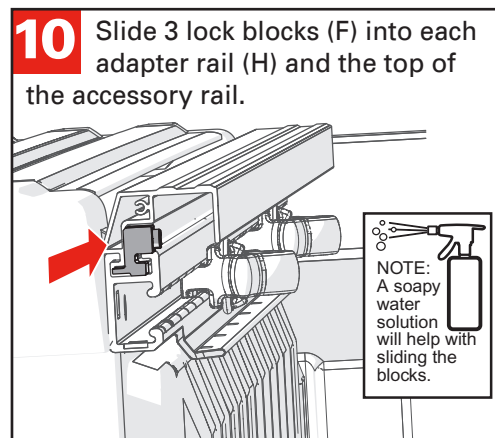
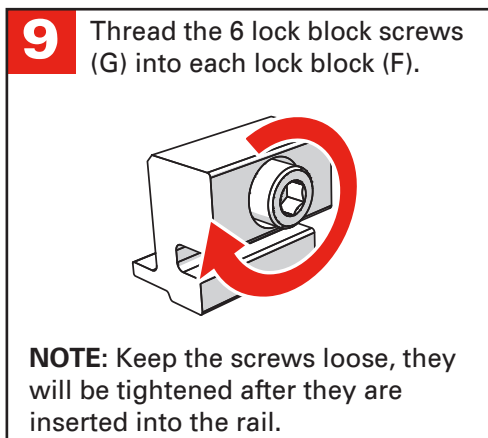
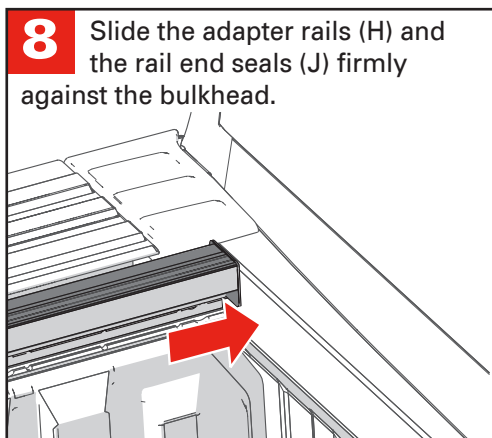
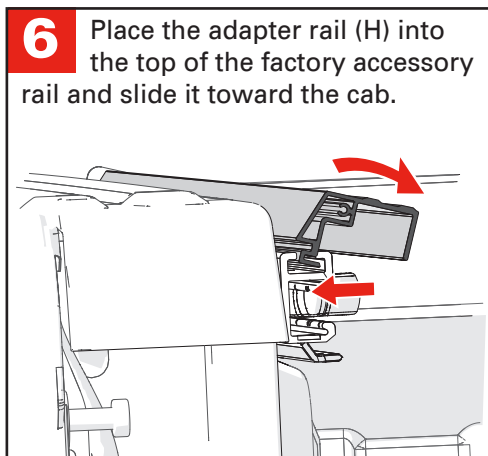
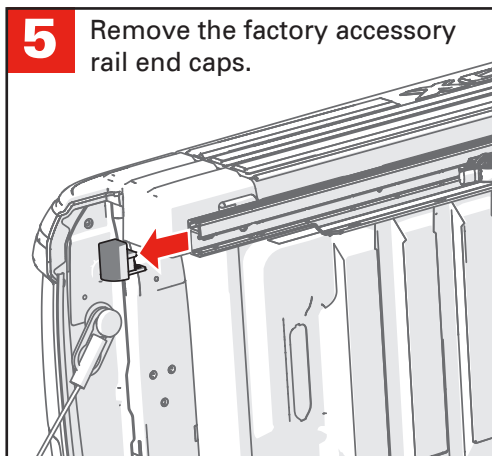
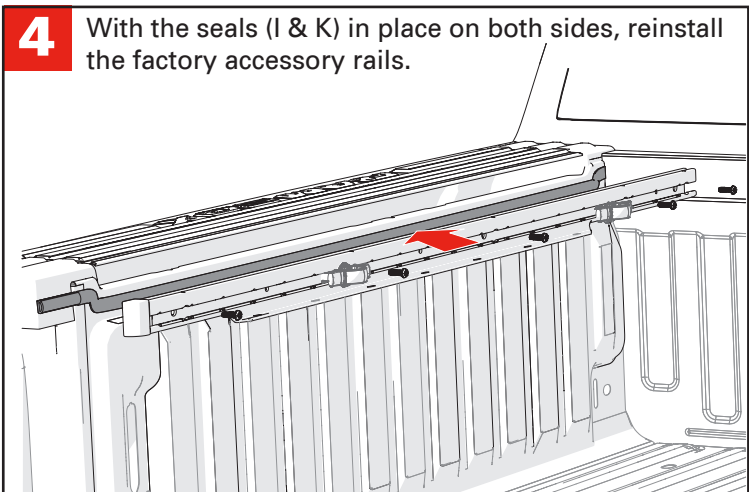
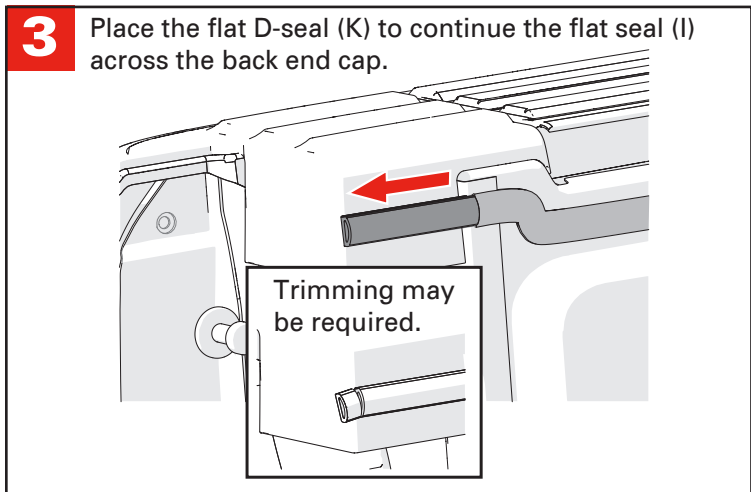
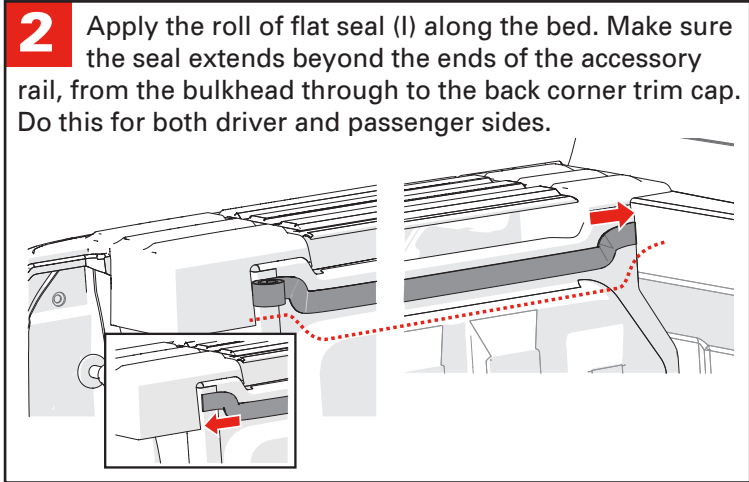
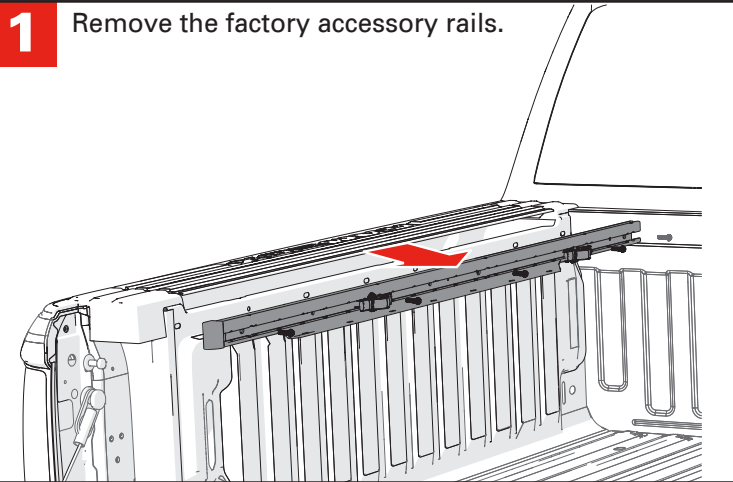
- A** Cover assembly
- B** 2x Striker brackets\*
- C** 2x Backing plates\*
- D** 4x Weld nuts\*
- E** 4x Torx screws\*
- F** 6x Lock blocks
- G** 6x Lock block screws
- H** 2x Adapter rails
- I** 1x Seal tape
- J** 2x Rail end seals
- K** 2x Flat D-seals
- L** 2x Ribbed D-seals
- M** 2x Rail end cap (R/L)
- N** 2x Rail end cap screws

\*Comes pre-assembled

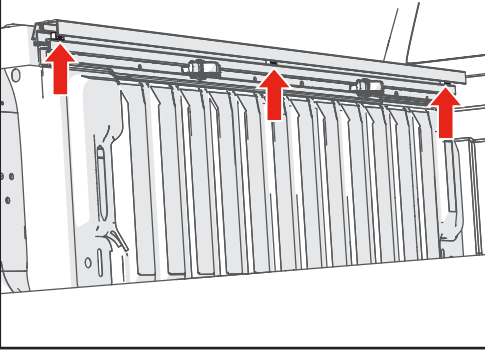
## TOOLS PROVIDED:

- Torx wrench - T-20
- Torx wrench - T-27
- Hex wrench - 2.5MM
- Hex wrench - 3/16"

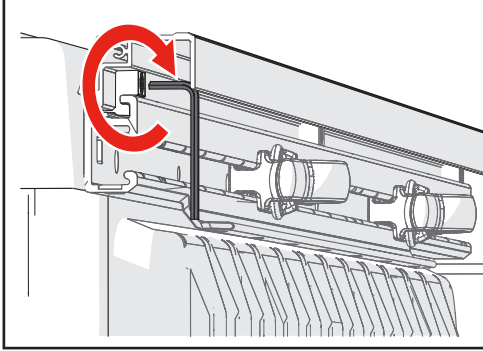




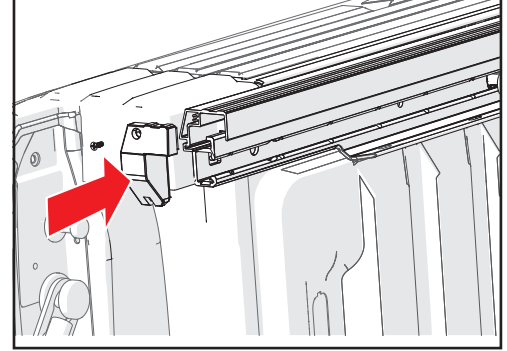
**11** Evenly space the lock blocks (F) on both driver and passenger sides.



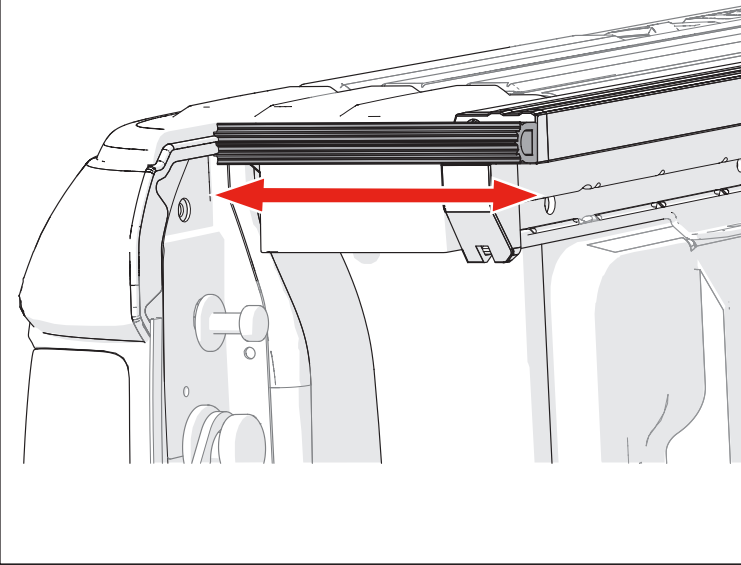
**12** With the adapter rail (H) firmly pressed up to the bulkhead, tighten each lock block (F) with the 3/16" hex wrench provided.



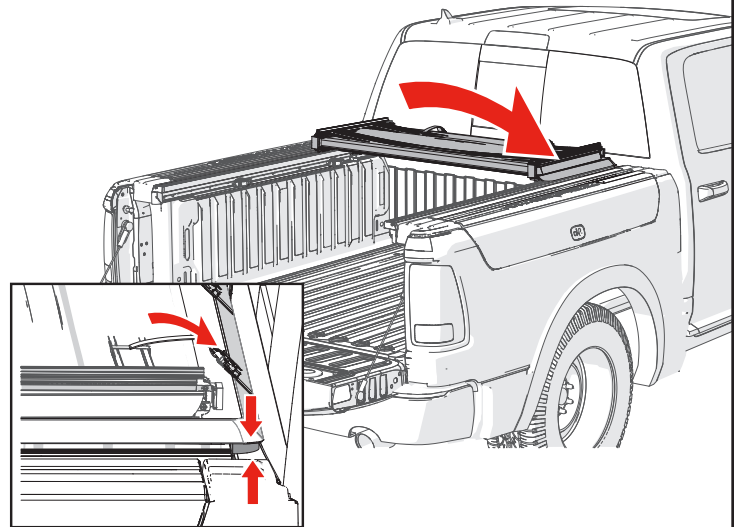
**13** Attach the rail end caps (M) to the adapter rail (H) with the flat rail end cap screws (N).



**14** Adhere the ribbed D-seal (L) in the end cap corner to span the adapter rail (H) end cap and rear trim panel. Add one to each side. Trimming the seal may be required.

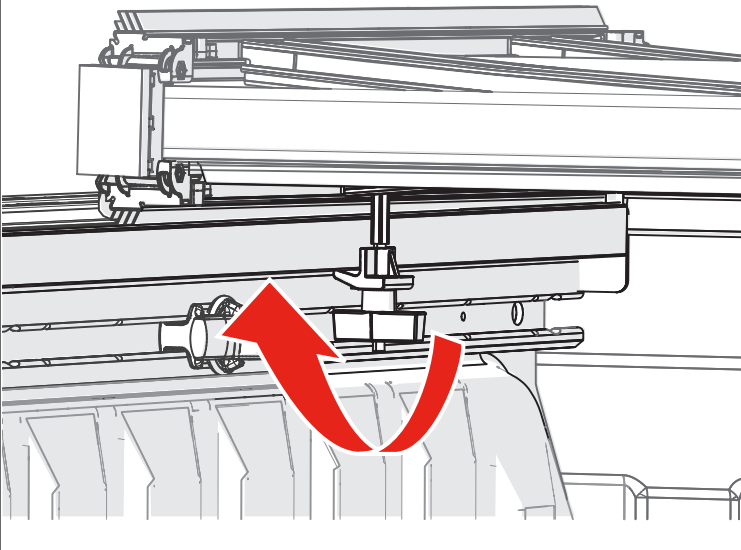


**15** Place the cover (A) onto the truck bed rails and bulkhead. **NOTE:** Take care not to damage or deform the cover seals while installing the cover.

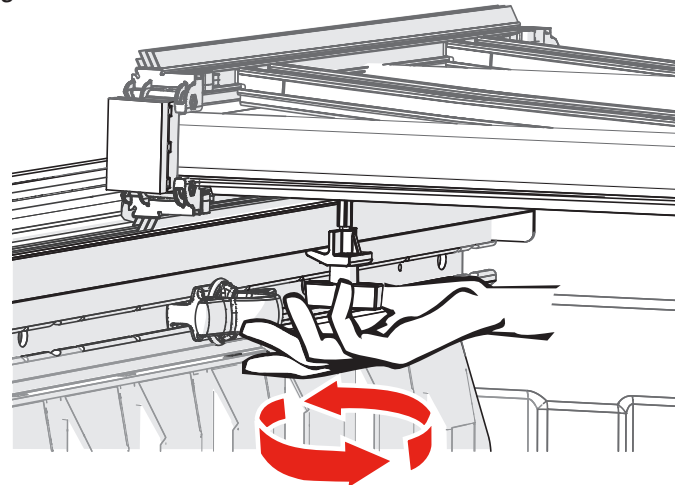


**NOTE:** When placing the cover (A) onto the bulkhead the corner seal will slide down in front of the cover rail.

**16** Swing the clamps so the clamp jaw is under the adapter rail (H).



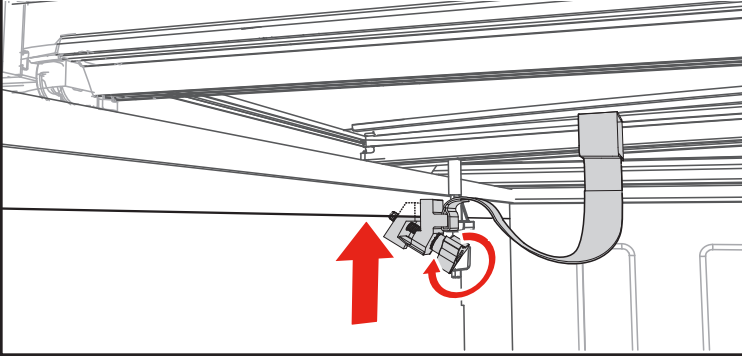
**17** **Do Not** use a wrench or overtighten. Hand tighten until the clamp jaw contacts the adapter rail (H), then tighten an additional two turns.



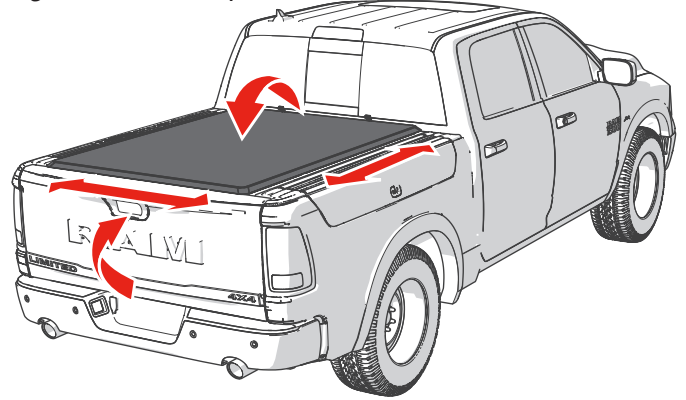
**Securely tighten both sides.**



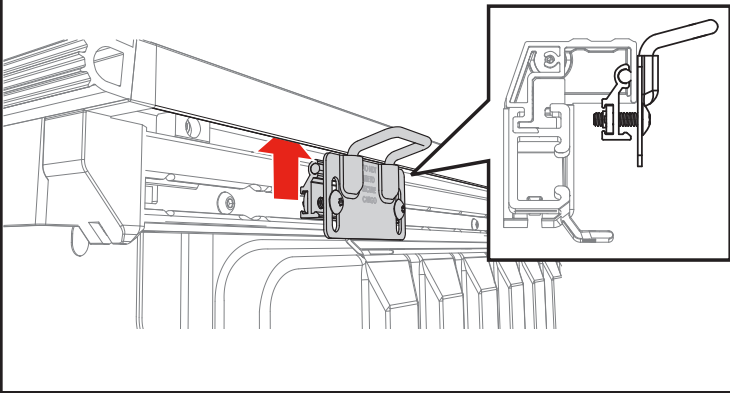
**18** The tethers come installed looped over the bed cover bow with a clamp at the other end. Install the clamp end by sliding the clamp onto the adapter rail (H). Make sure the clamp is positioned as far up onto the rail as possible. Firmly hand tighten the knobs. Install the tethers on both sides of the cover.



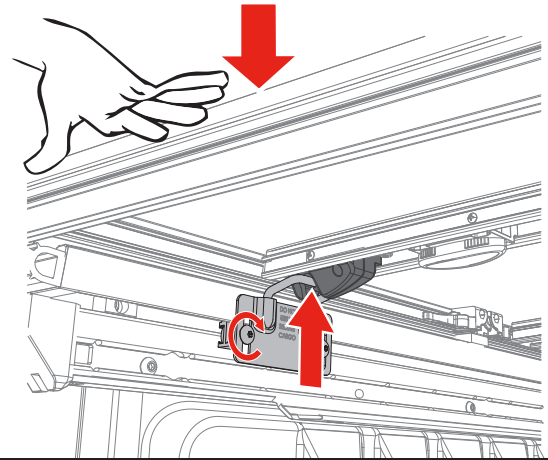
**19** Close the tailgate and unfold the cover. Check that the cover is parallel and square with the truck bed and bed rails. If not parallel or square, open the cover and loosen the cab clamps to reposition the cover. Adjust and re-tighten both clamps.



**20** Install the striker bracket (B) by loosening the Torx screws (E) until there is enough space for the backing plate (C) to fit behind the adapter rail (H) while the striker bracket plate (B) fits on the front of the adapter rail (H).



**21** Close the cover (A) and align the striker bracket (B) with the bed cover latch. Push down on the cover while tightening the Torx screws (E).

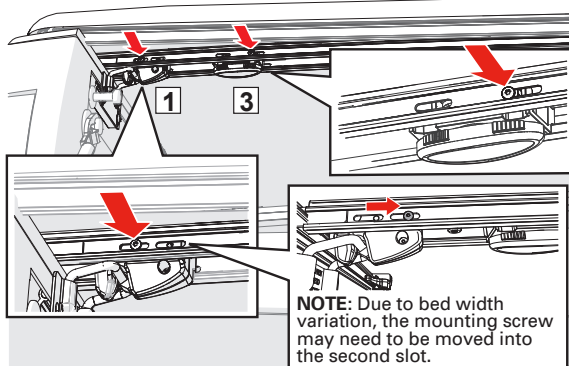
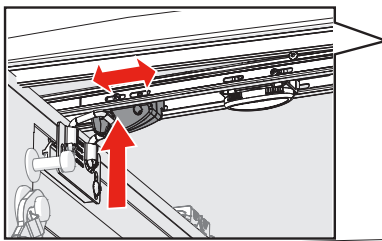


**22** Adjustments and tightening of the latch assembly is required.

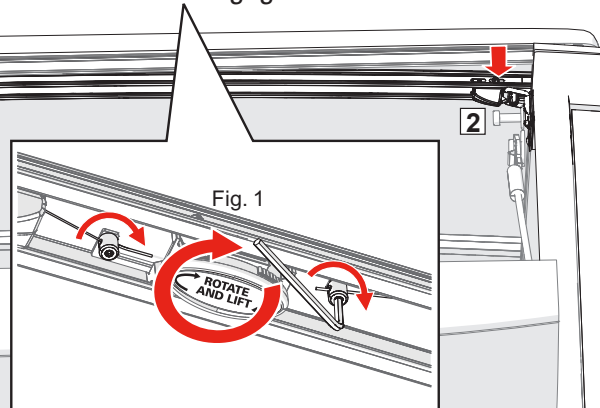
The bed cover latch assembly comes from the factory only partially tightened to allow for installation adjustments. **Only use the hand tools provided, do not use power tools.**

Lower the rear of the bed cover and adjust the position of each latch so that they engage with the striker brackets.

With the latches adjusted, use the provided T-20 Torx wrench to tighten the front screw in both the driver and passenger side latches and the actuator mechanism, shown below as 1, 2 & 3. Next, tighten the actuator mechanism set screws, (fig. 1) with the provided 2.5mm hex key to secure the latch cables. Rotate the actuator knob, (fig. 1) to verify that the latches disengage from the striker brackets.

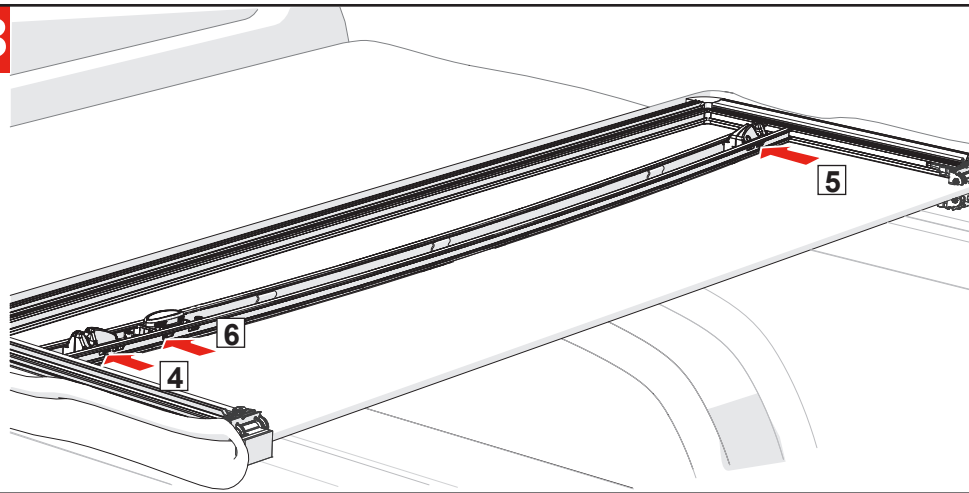


**NOTE:** Due to bed width variation, the mounting screw may need to be moved into the second slot.



Double-check that the cover is secure and tight to the truck bed by gently lifting the corners to ensure the mechanisms are engaged.

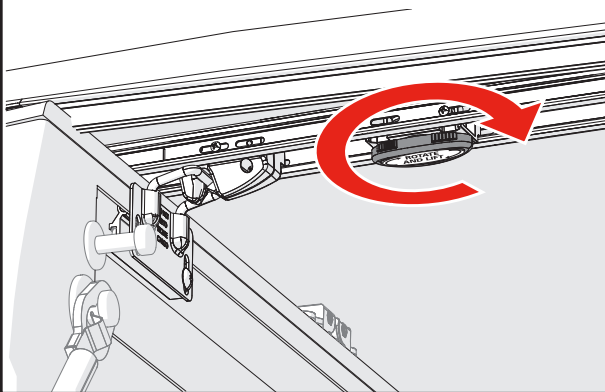
23



Fold the panel open and tighten the rear T-20 Torx screws in both the driver and passenger side latches and the actuator mechanism, shown to the left as 4, 5 & 6.

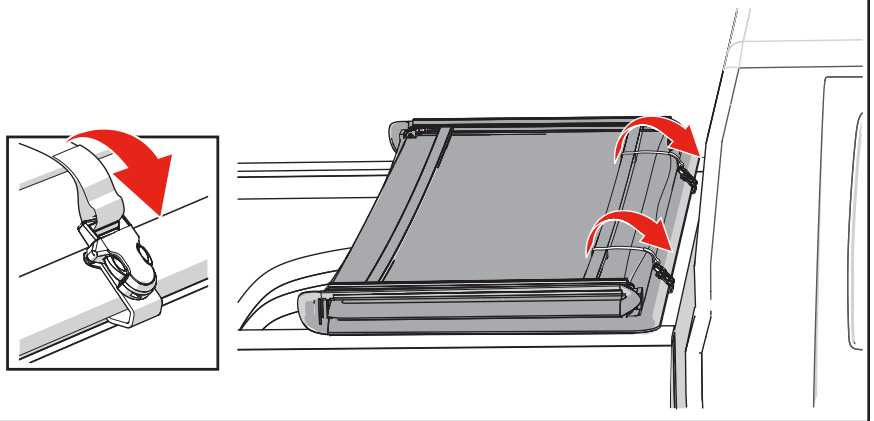
**Opening the cover**

Open the cover by twisting the actuator knob and lifting the cover.



**Securing the cover**

To drive with the cover open, fold the cover forward to the cab and fasten BOTH straps in the middle section to the front rail. Check that the straps are tight, and pull the strap end if too loose.



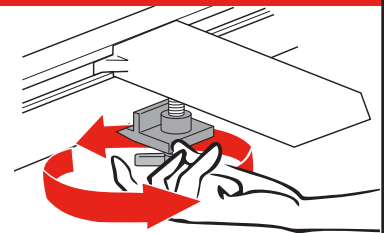
**IMPORTANT**

Re-tighten the front/cab clamps and tethers after the first week of driving the vehicle. Also periodically check the clamps and tethers to ensure they are secure.

**Closed/Extended Position** – Bed cover must be completely secured by all four (4) clamps.

**Open/Folded Position** – Bed cover must be completely folded up (all panels) and secured at the cab with the provided buckles straps and with both tethers attached.

**Do NOT** drive with the bed cover in a partially open position.



Do NOT allow the vehicle to be towed backwards without first removing the cover from the vehicle.

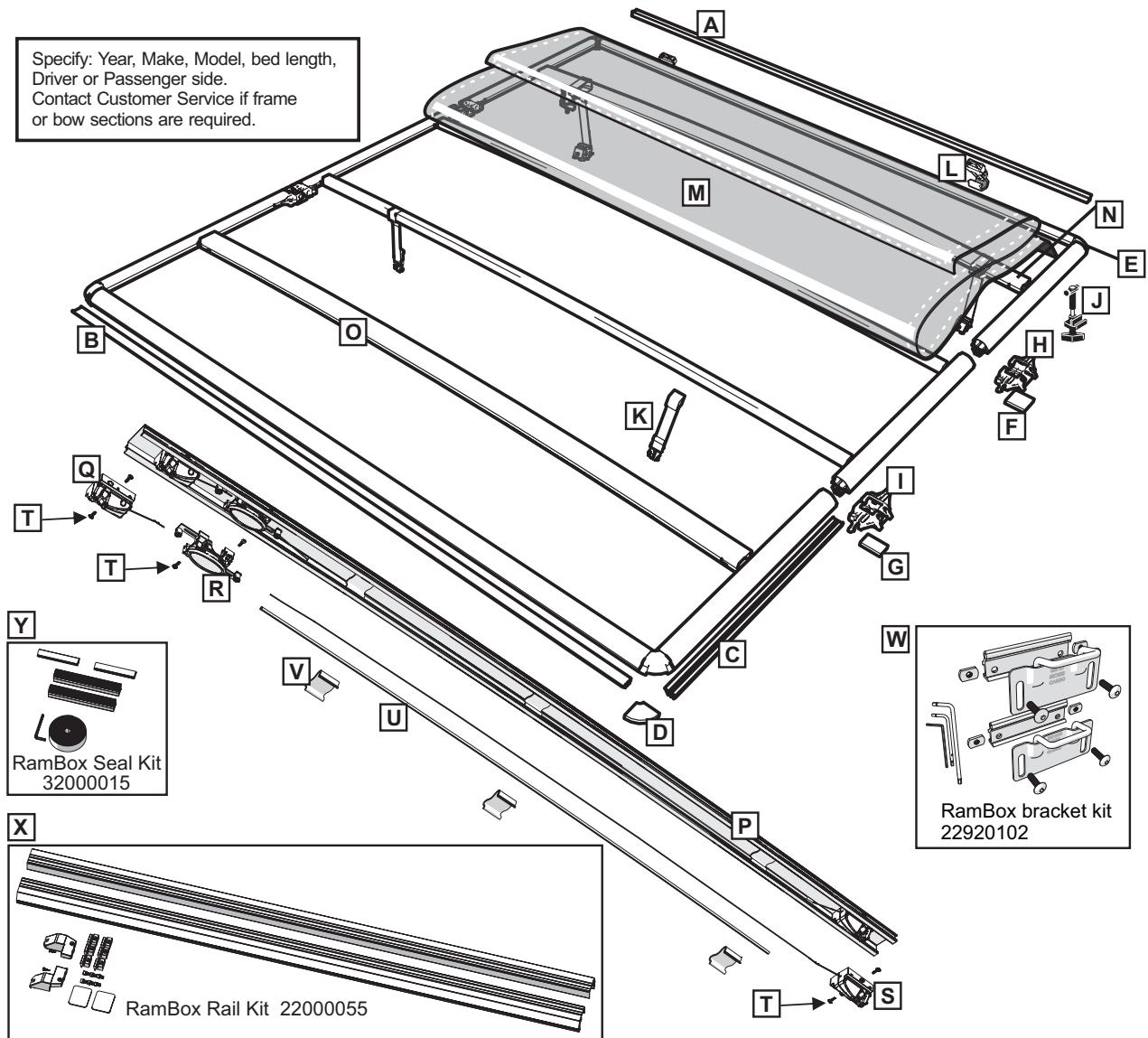


Remove any snow or foreign matter before folding the bed cover.



# REPLACEMENT PARTS

Replacement parts can be ordered online at [extang.com/replacement-parts](http://extang.com/replacement-parts) or you can contact our Customer Service Department for assistance. When ordering, xxx represents the 3 digit suffix, as referenced on the sales receipt or vehicle application list.



Call Out	Title	Part Number	Description	Qty
A	Cab Seal	32002112	Single length seal (6'), hollow seal, cut to fit	1
B	Tailgate Seal	32563200	Single length seal, (68"), 4-fin, cut to fit	1
C	Side Rail Seal	32560368	Single length (68") Side Seal, one length will fit two panel sides. cut to fit, (there are 6 sides per cover). Two seals for 6' beds, three for longer beds.	1
D	Corner Seal	32440100	Seal thickness is- 0.375". Two are needed on each corner at the rear/tailgate.	1
E	Corner Seal	32440120	Seal thickness is- 0.75". Two are needed on each corner at the front/cab.	1
F	Hinge Seal, Cab	32440401	Seal only, large hinge pad at 0.375" thick.	1
G	Hinge Seal, Tail	32440402	Seal only, small hinge pad at 0.375" thick.	1
H	Cab Hinge	31442015	Seal not included, see item Hinge Seal, Cab (E)	1
I	Tail Hinge	31442005	Seal not included, see item Hinge Seal, Tail (F)	1
J	Cab Clamp	1034	Single clamp for the front/cab end	1
K	Tie Down Strap	54440400	Tie Down Strap (Short), with Male Buckle-fits 4 bow bed cover systems	1
K	Tie Down Strap	54720400	Tie Down Strap (Long), with Male Buckle-fits 3 bow bed cover systems	1
L	Buckle Assembly	31920120	Single Buckle assembly, w/Female Buckle, Front/cab end	1
M	Tarp	90424-20	Vinyl tarp only, Trifecta 2.0 vinyl	1
N	Cab Bow	90424-10	Disassembly and reassembly of the cover is required	1
O	Tail Bow	90424-14	Disassembly and reassembly of the cover is required	1
P	Bow Assembly	90424-67	Complete assembly including Latches, Actuator Assembly, cable/conduit, clips with a Rear Bow	1
Q	Latch Assembly	28920030	Assembly for driver side, does not include new mounting screws, see (T) Latch & Actuator Screw	1
R	Actuator	28920040	Latch actuator assembly, does not include new mounting screws, see (T) Latch & Actuator Screw	1
S	Latch Assembly	28920031	Assembly for passenger side, does not include new mounting screws, see (T) Latch & Actuator Screw	1
T	Latch & Actuator Screw	25900001	One M4 x 12 T20 Torx Screw, two are used to mount the latches or actuator	1
U	Latch Cable Conduit	31920003	Latch cable cover conduit only	1
V	Latch Cable Conduit Clips	35920202		1
W	RamBox Bracket Kit	22920102	A pair of assembled striker brackets for the rear/tailgate end	1
X	RamBox Rail Kit	22000055	A kit of rails and hardware to mount the bed cover to the RamBox	1
Y	RamBox Seal Kit	32000015	A kit of seals add to the RamBox rail installation, also a hex wrench for use in the rail install	1



# LIMITED LIFETIME WARRANTY

The cover, including as applicable any hardware kit (e.g., rails, clamps, and bows) and fabric, carries a limited lifetime warranty. This limited warranty is subject to the following terms:

## WARRANTY COVERAGE

This tonneau cover is warranted against defects in materials or workmanship. This warranty is void if the product has been damaged in an accident, or due to neglect, unforeseeable use, improper installation, improper servicing, or other cause not arising out of defects in material or workmanship.

## WARRANTY IS NOT TRANSFERABLE

The warranty is to the initial consumer purchasing the tonneau cover and it is not transferrable to a subsequent end user. Proof of purchase may be required to enforce the warranty rights.

## WARRANTY CONDITIONS

Failure to follow these warnings and care instructions will void the warranty:

- Clean with mild automotive soap and water only.
- Do not use conditioners that contain silicone or petroleum (e.g., Armor All®).
- Tonneau cover must be secured at all points when vehicle is in motion. When not fully extended, cover must be completely folded up and secured at the cab with the provided buckle straps and tethers attached. Do NOT drive with the bed cover in a partially open position..
- Check front/cab clamps and retention mechanisms for tightness after a week of driving following installation (or re-installation) of the cover and periodically thereafter.
- Before opening, cover must be free of all foreign materials including snow and ice.
- To avoid potential damage to the cover, panel clamps/latches must be in their stored positions prior to opening/folding the panel.
- Do NOT tow your vehicle from the rear with the cover on your vehicle. If towing from the rear is required, the cover MUST be removed from the vehicle and properly stored.

## WARRANTY PERFORMANCE

If all warranty conditions are met, a defective tonneau cover, tarp, or hardware component will either be repaired or replaced (at our option). We reserve the right, for any warranted return, to substitute a newer model of tonneau cover having similar form and function, to offer a warranty discount on an entire replacement system, and/or provide remedies other than those mentioned in this document.

## WARRANTY PROCESS

A Return Authorization number must be obtained from our Customer Service Department prior to returning any product. We may require the original item to be returned postage prepaid for final determination. Shipping charges will apply for any repair or replacement. Other than postage or shipping charges, no charge will be made for repair or replacement under this warranty.

This warranty gives you specific legal rights. As a consumer, you may also have additional rights and remedies under the laws of your state.



**SOMETHING DAMAGED? MISSING PARTS?**

---

**CALL US FIRST**  
**800-877-2588**

**WE CAN HELP YOU QUICKLY AND EASILY OVER THE PHONE**

---

Experienced Customer Service staff are available  
to answer all your truck bed cover questions

**CUSTOMER SERVICE HOURS**

**8:30 a.m. TO 6:00 p.m. EST, MONDAY - FRIDAY**

Truck bed cover model: \_\_\_\_\_

Purchase date: \_\_\_\_\_

Lot code: \_\_\_\_\_

*Lot code can be found on the underside of cover.*

