



# GATORBACK

## MUDFLAPS

2023-C Colorado LT / WT / Z71 without flare

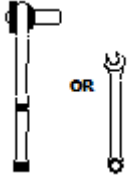
Mud Flap Set, Front  
Mounting Diagram & Instructions  
Kit# GCR217F

### IMPORTANT:

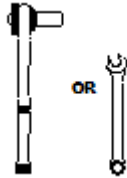
Manufacturer is not responsible for negligent use of vehicle with mud flaps installed, including over-tightening of screws and bolts causing damage to vehicle or mud flaps.



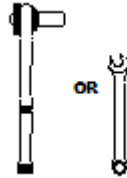
### TOOLS REQUIRED-



7/16" Open Wrench or  
Socket Wrench



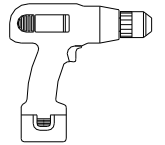
1/2" Open Wrench or  
Socket Wrench



1/4" Open Wrench or  
Socket Wrench



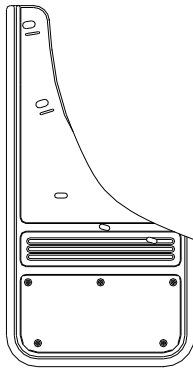
T15  
Bit



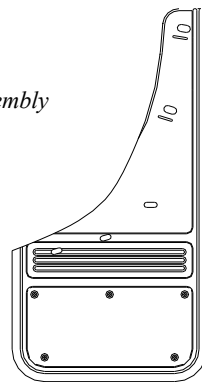
Electric or Rechargeable  
Drill

### FLAPS

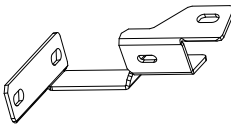
(1) Flap Assembly,  
Front, DS



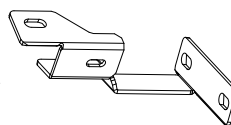
(1) Flap Assembly  
Front, PS



(1) Bracket  
Front, DS  
Part #771066



(1) Bracket  
Front, PS  
Part #771067

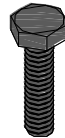


### PARTS BAG # 771232

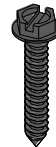
**a)** (4) Capscrew, SS  
1/4"-20 x 5/8" Black Oxidized  
Part #014071



**b)** (4) Capscrew, SS  
1/4"-20 x 1" Black Oxidized  
Part #014073



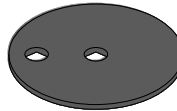
**c)** (2) Sheet Metal Screw, SS  
8-18 x 1" Black Oxidized  
Part #016055



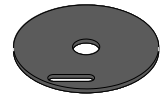
**d)** (4) Washer, Flat, SS  
0.281" x 1" Black Oxidized  
Part #018069



**e)** (2) Washer, Offset, SS  
0.203" x 1" Black Oxidized  
Part #018080



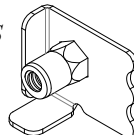
**f)** (4) Washer, Slotted, SS  
0.281" x 1.5" Black Oxidized  
Part #018084



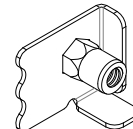
**g)** (4) Spring Nut, SS  
1/4"-20UNC, 27/32" Reach  
Part #028011



**h)** (2) Mount Clip, SS  
Driver Side  
Part #769312

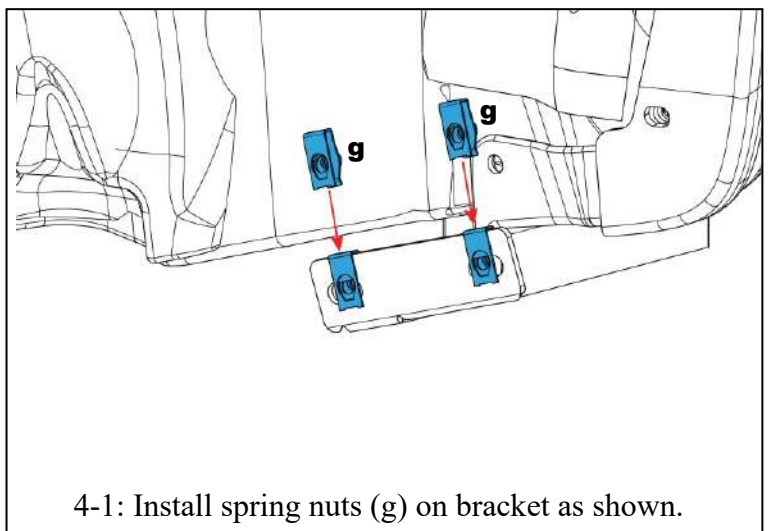
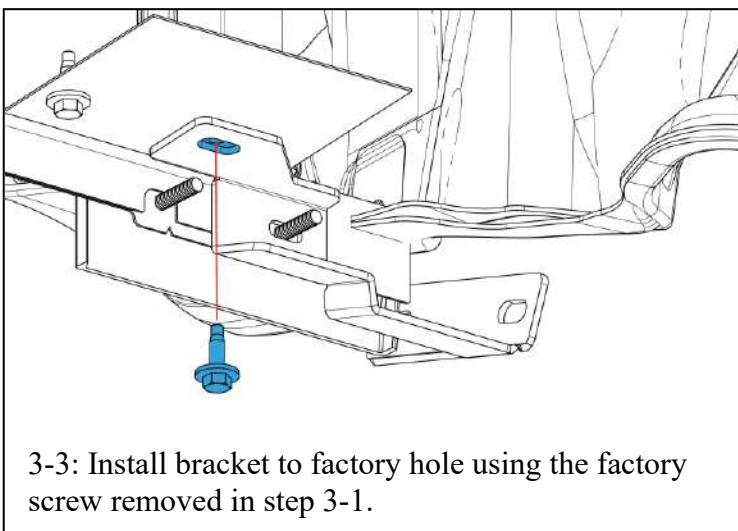
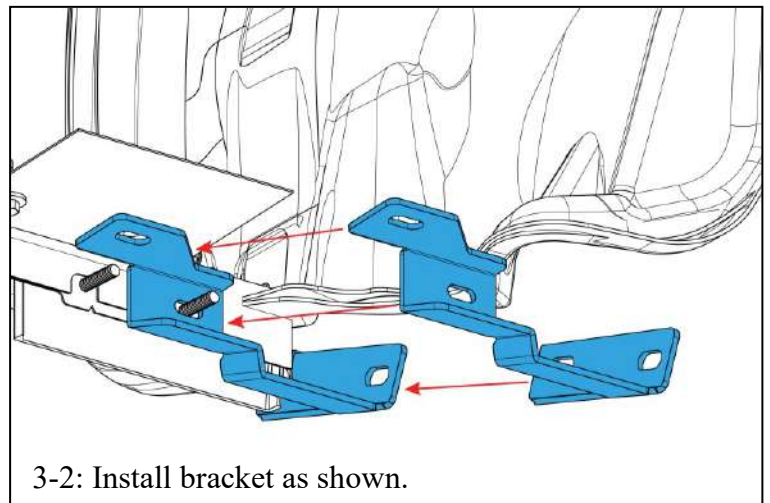
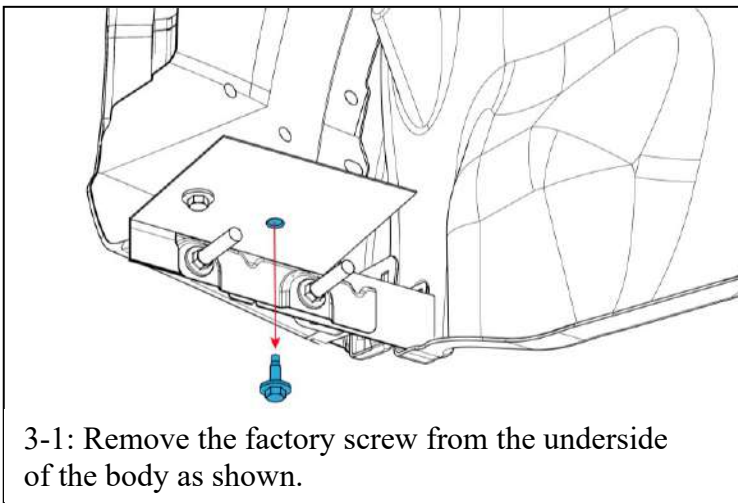
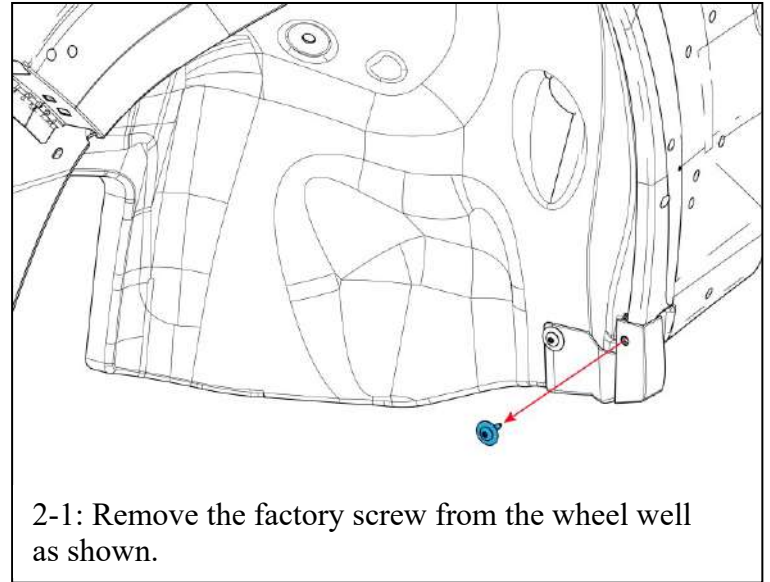
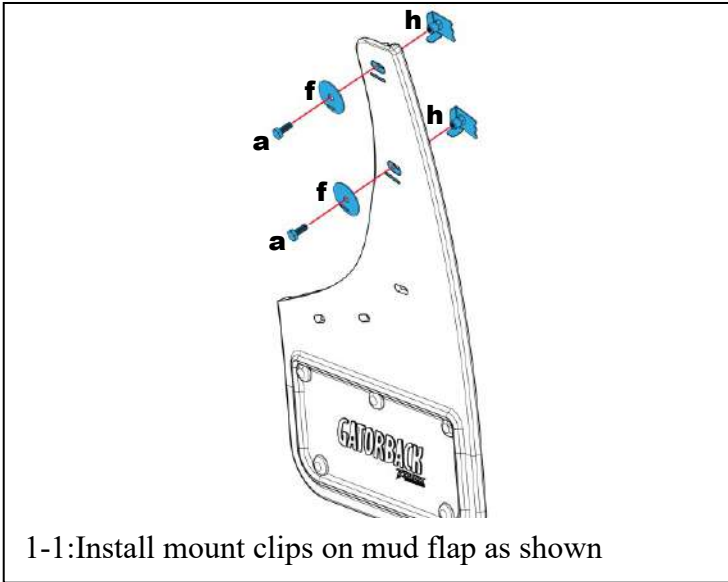


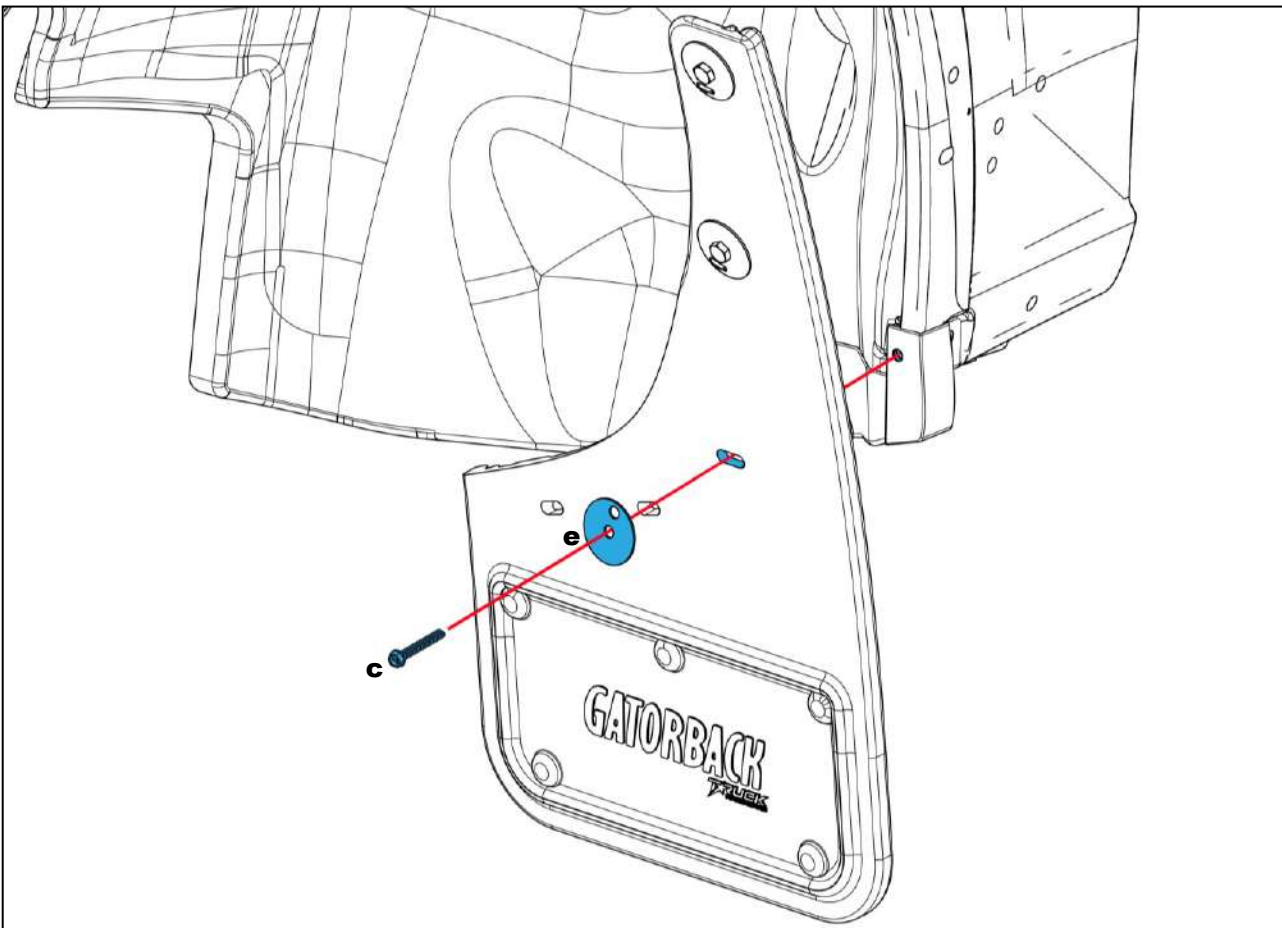
**i)** (2) Mount Clip, SS  
Passenger Side  
Part #769313



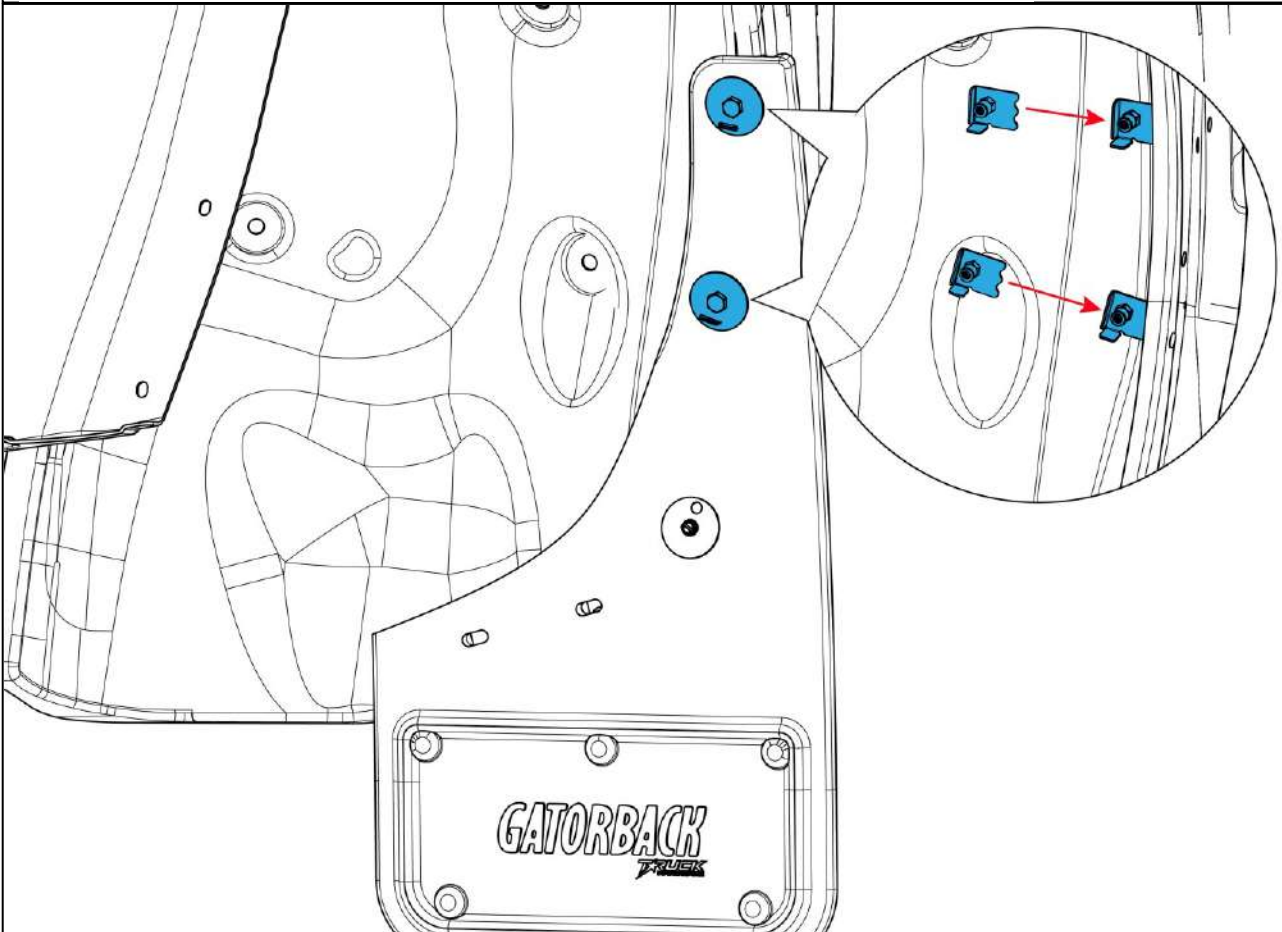
**INSTALLATION** *(For ease of installation it is suggested that the wheel be removed)*

1. Before you install your Mud Flap Set, see the diagram and parts list for all necessary parts. Start on the driver side.

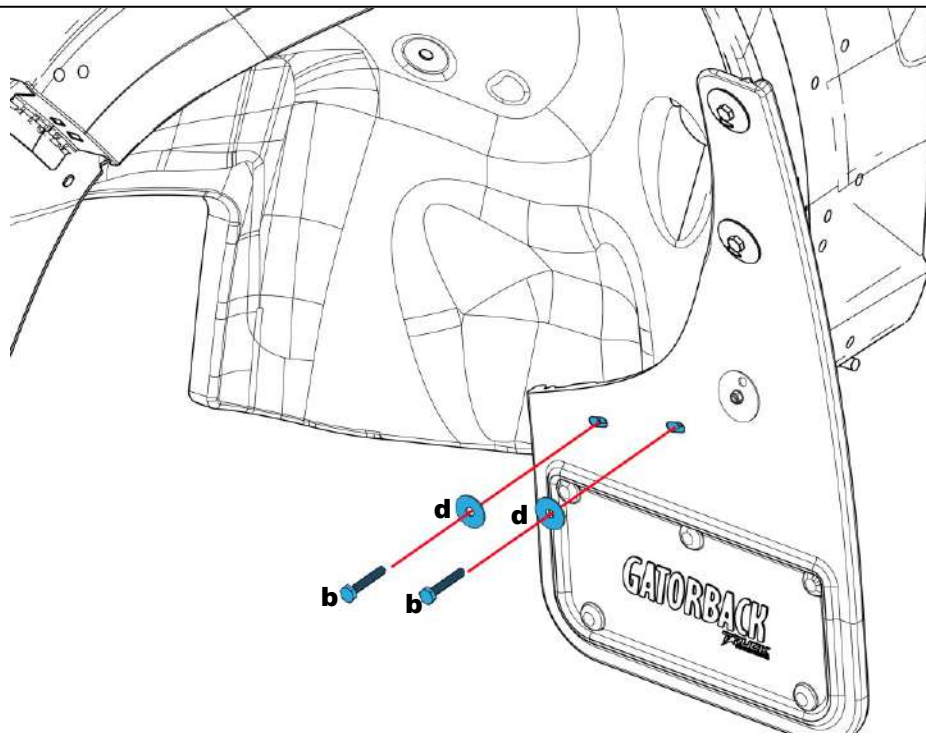




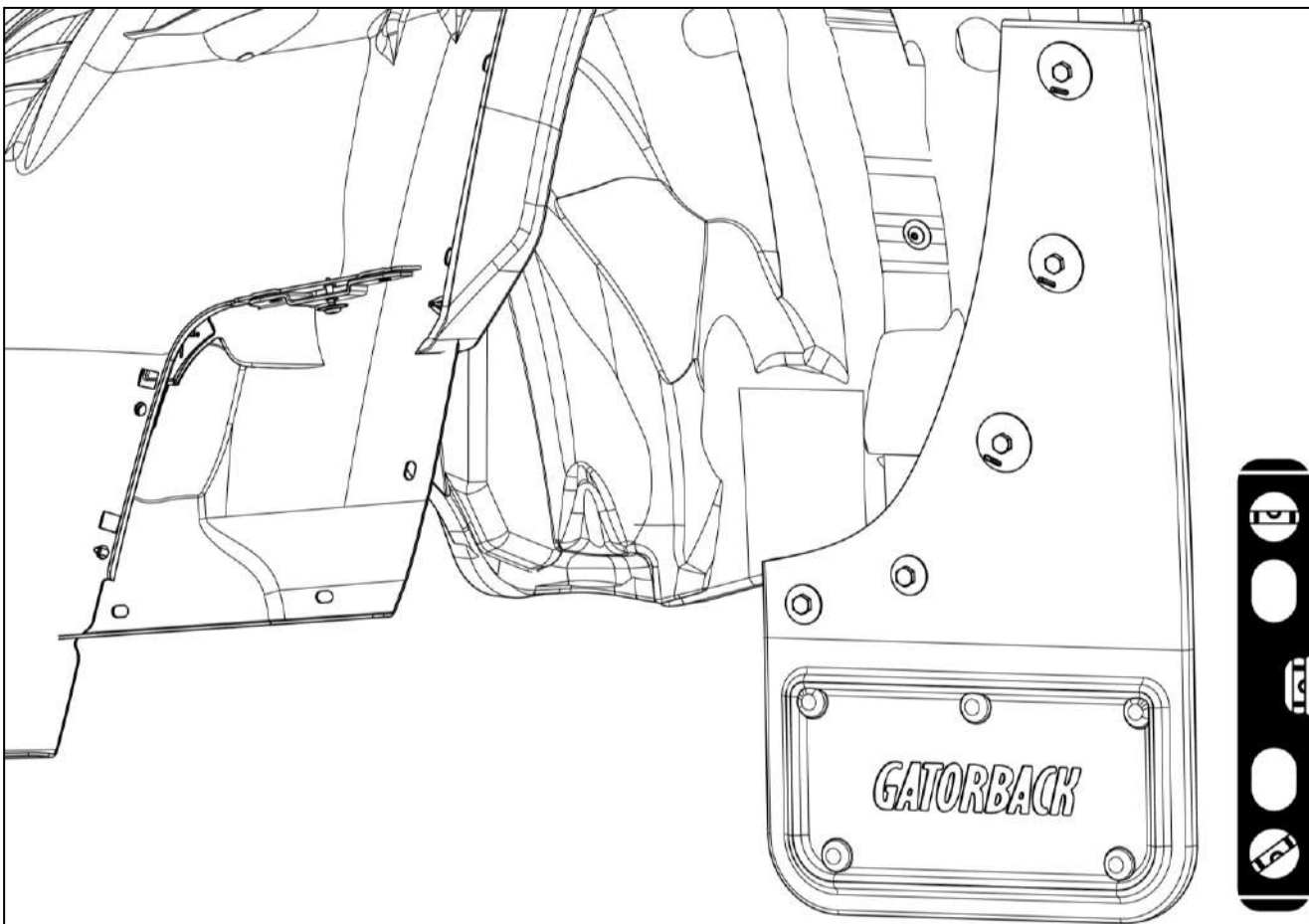
5-1: Install mud flap to factory hole as shown.



6-1: Slide mount clips behind fender lip.



7-1: Loosely install mud flap to spring nuts on bracket as shown.



8-1: Using a square or other leveling tool, ensure that the mud flap is level. Tighten all fasteners.



# GATORBACK MUDFLAPS

## 2023-C Colorado LT / WT / Z71 without flare

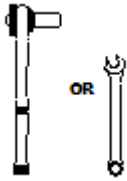
### Mud Flap Set, Rear Mounting Diagram & Instructions Kit# GCR217R

#### IMPORTANT:

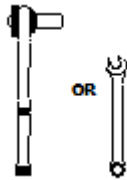
Manufacturer is not responsible for negligent use of vehicle with mud flaps installed, including over-tightening of screws and bolts causing damage to vehicle or mud flaps.



#### TOOLS REQUIRED-



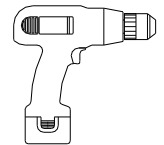
7/16" Open Wrench or  
Socket Wrench



1/4" Open Wrench or  
Socket Wrench



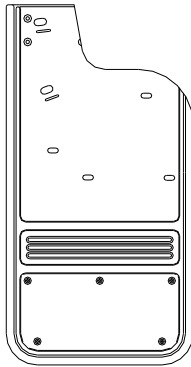
T15  
Bit



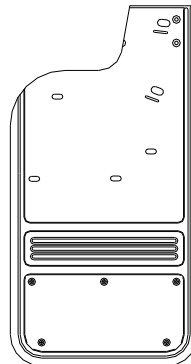
Electric or Rechargeable  
Drill

#### FLAPS

(1) Flap Assembly,  
Rear, DS



(1) Flap Assembly  
Rear, PS



#### PARTS BAG # 771233

a) (4) Capscrew, SS  
1/4"-20 x 5/8" Black Oxidized  
Part #014071



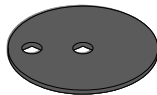
b) (8) Sheet Metal Screw, SS  
8-18 x 1" Black Oxidized  
Part #016055



c) (4) Washer, Flat, SS  
0.203" x 1" Black Oxidized  
Part #018070



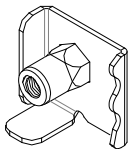
d) (4) Washer, Offset, SS  
0.203" x 1" Black Oxidized  
Part #018080



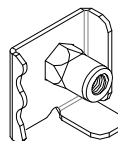
e) (4) Washer, Slotted, SS  
0.281" x 1.5" Black Oxidized  
Part #018084



f) (2) Mount Clip, SS  
Driver Side  
Part #769308

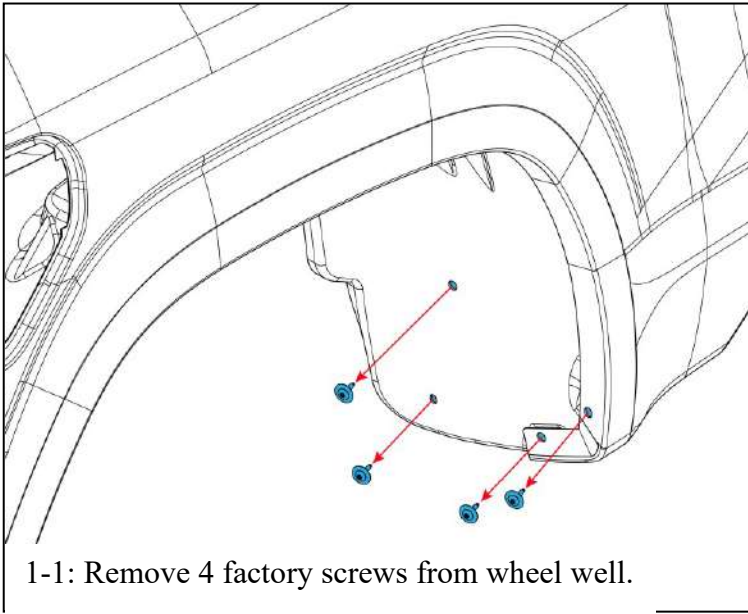


g) (2) Mount Clip, SS  
Passenger Side  
Part #769309

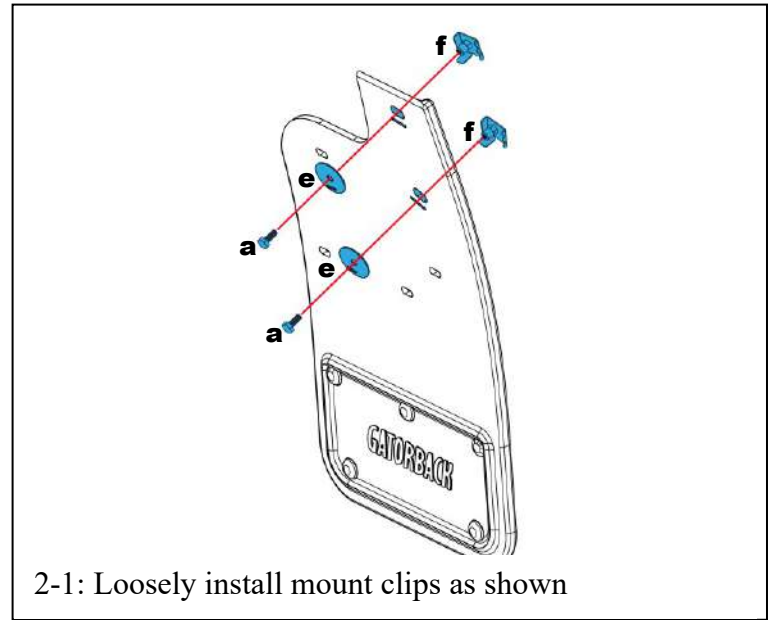


**INSTALLATION** *(For ease of installation it is suggested that the wheel be removed)*

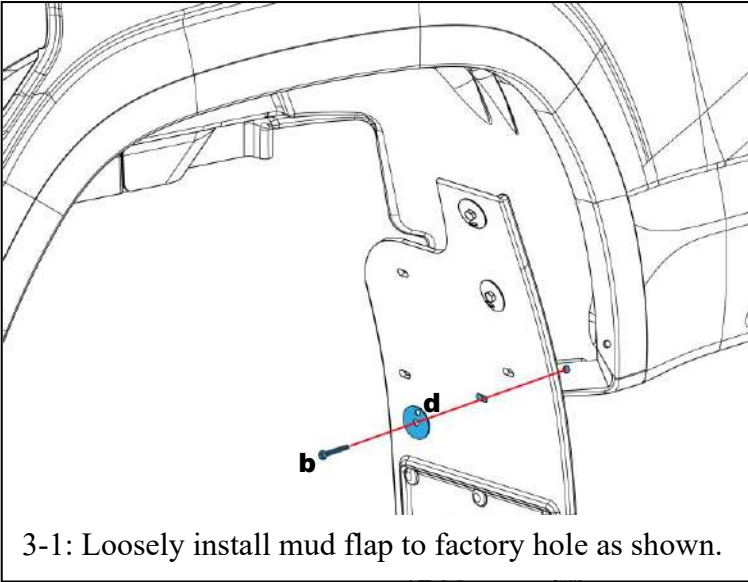
Before you install your Mud Flap Set, see the diagram and parts list for all necessary parts. Start on the driver's side.



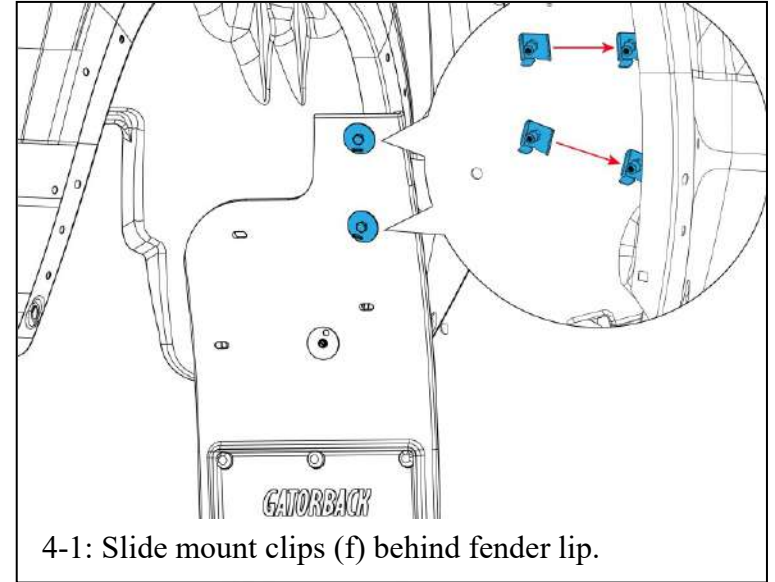
1-1: Remove 4 factory screws from wheel well.



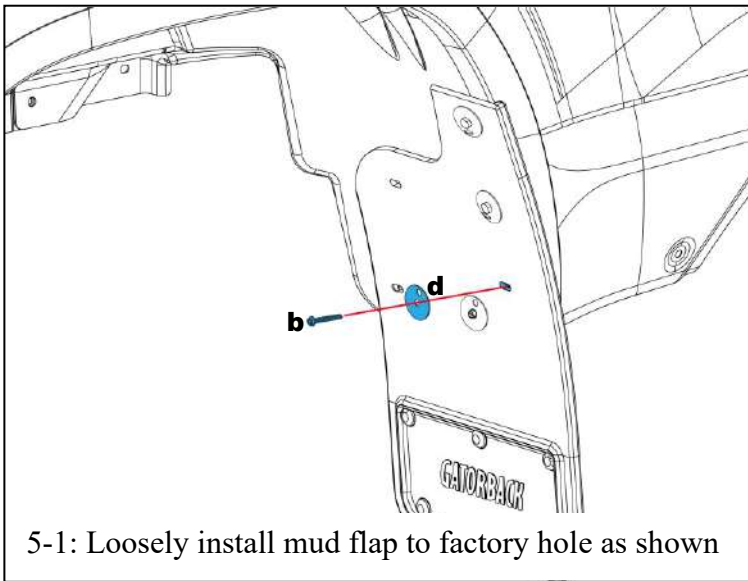
2-1: Loosely install mount clips as shown



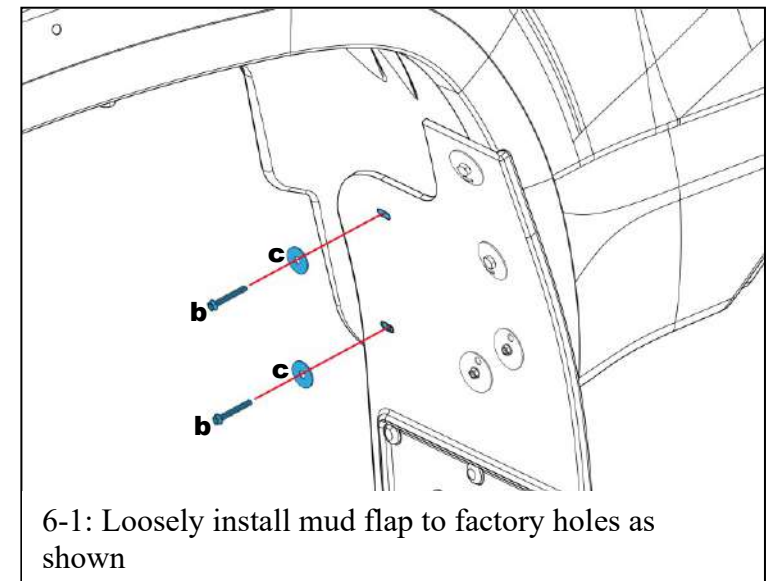
3-1: Loosely install mud flap to factory hole as shown.



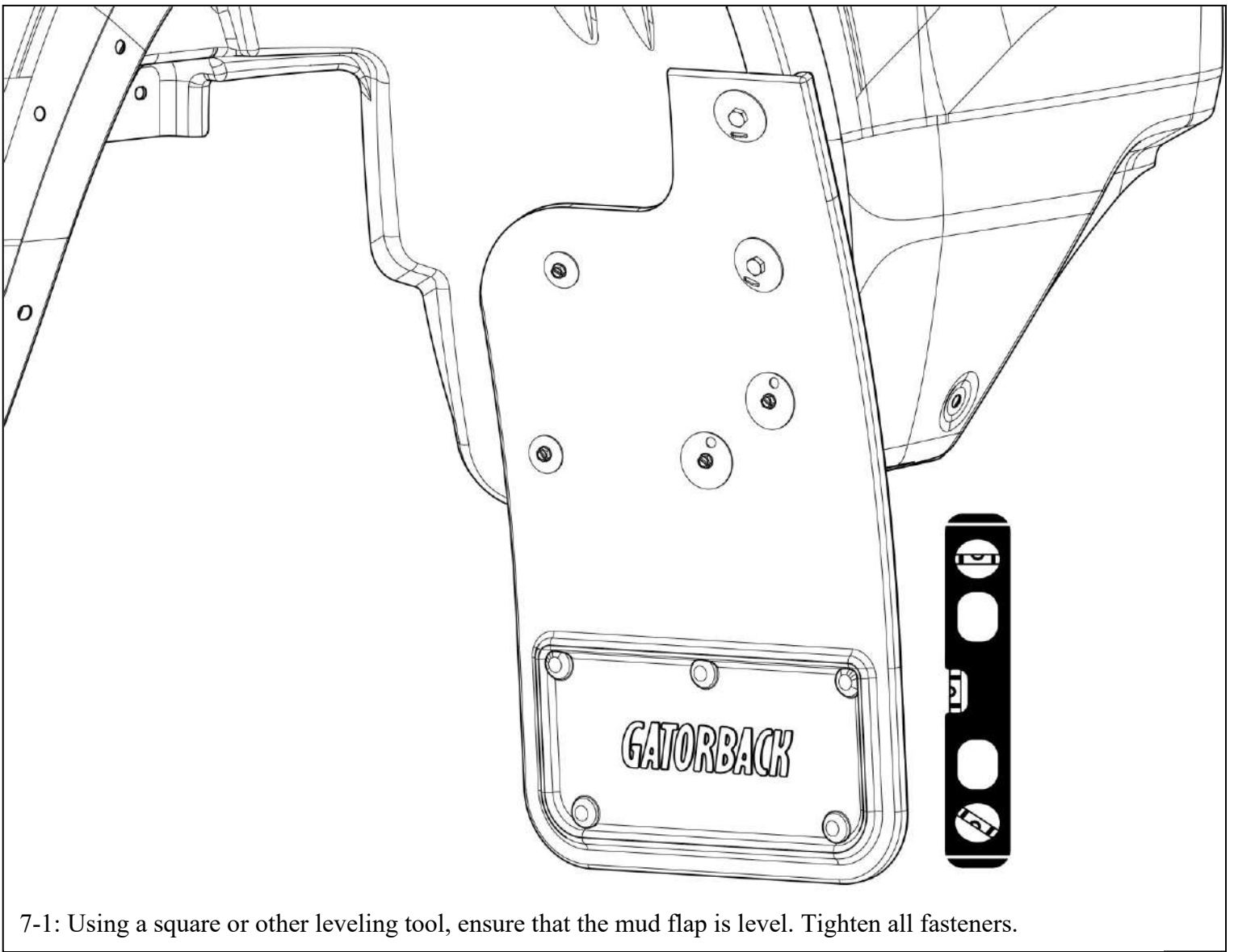
4-1: Slide mount clips (f) behind fender lip.



5-1: Loosely install mud flap to factory hole as shown



6-1: Loosely install mud flap to factory holes as shown



7-1: Using a square or other leveling tool, ensure that the mud flap is level. Tighten all fasteners.

Please check out our YouTube channel to see an install video for this application.

