

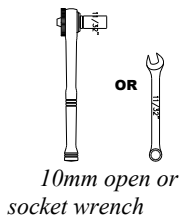
IMPORTANT:

The manufacturer is not responsible for negligent use of vehicle with mud flaps installed, including over-tightening of screws and bolts causing damage to vehicle or mud flaps.

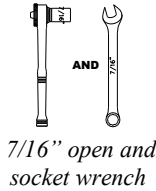
Before you install your Mud Flap Set, see the diagram and parts list for all necessary parts.

All hardware should be loosely installed until all mounting points have been installed and flap has been levelled. It is suggested that final tightening of hardware be done with hand tools to avoid over-tightening.

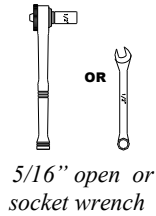
TOOLS REQUIRED:



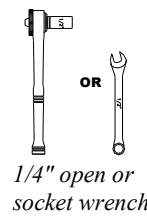
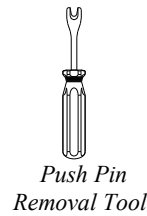
OR



AND



OR

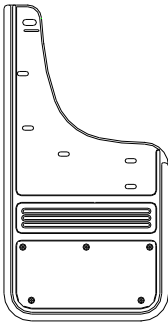


OR

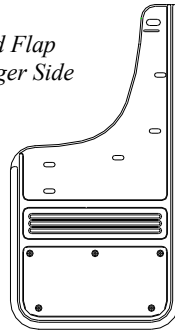


FLAPS & BRACKETS

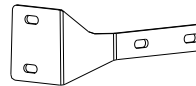
(1) Mud Flap Driver Side



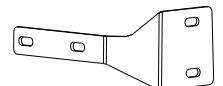
(1) Mud Flap Passenger Side



(1) Bracket Driver Side
Part #770741



(1) Bracket Passenger Side
Part #770742



PARTS BAG #770760

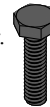
a) (2) Capscrew, SS, Blk Ox.
1/4"-20UNC x 3/8"
Part # 014069



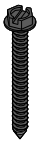
b) (2) Capscrew, SS, Blk Ox.
1/4" - 20UNC x 3/4"
Part # 014070



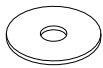
c) (4) Capscrew, SS, Blk Ox.
1/4"-20UNC x 1"
Part #014073



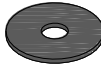
d) (4) Sht Mtl Screw
8-18 x 1.25" SS Blk Ox
Part #016061



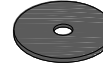
e) (4) Washer, Flat
0.281" x 1", SS
Part #018068



f) (6) Washer, Flat
0.281" x 1" SS Blk Ox.
Part # 018069



g) (4) Washer, Flat
0.203" x 1" SS Blk Ox
Part # 018070



h) (4) Washer, Lock
1/4" Helicoil, SS
Part # 024000



i) (4) Hex Nut
1/4"-20, SS
Part # 025000



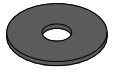
j) (4) Flange Nut,
M6, Serrated
Part #025025



k) (2) Spring Nut
1/4"-20UNC, 0.54", SS
Part #028010



l) (4) Washer, Nylon
0.318" x 1"
Part #054061



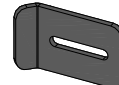
m) (2) Washer, Nylon
0.38"x0.625" Blk
Part #054071



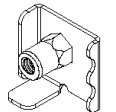
n) (2) Washer, Nylon
0.281" x 1" Blk
Part # 054084



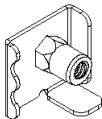
o) (2) J-Clamp
1.5" x 2.5"
Part #767417



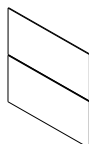
p) (1) Mount Clip
DS
Part # 769308



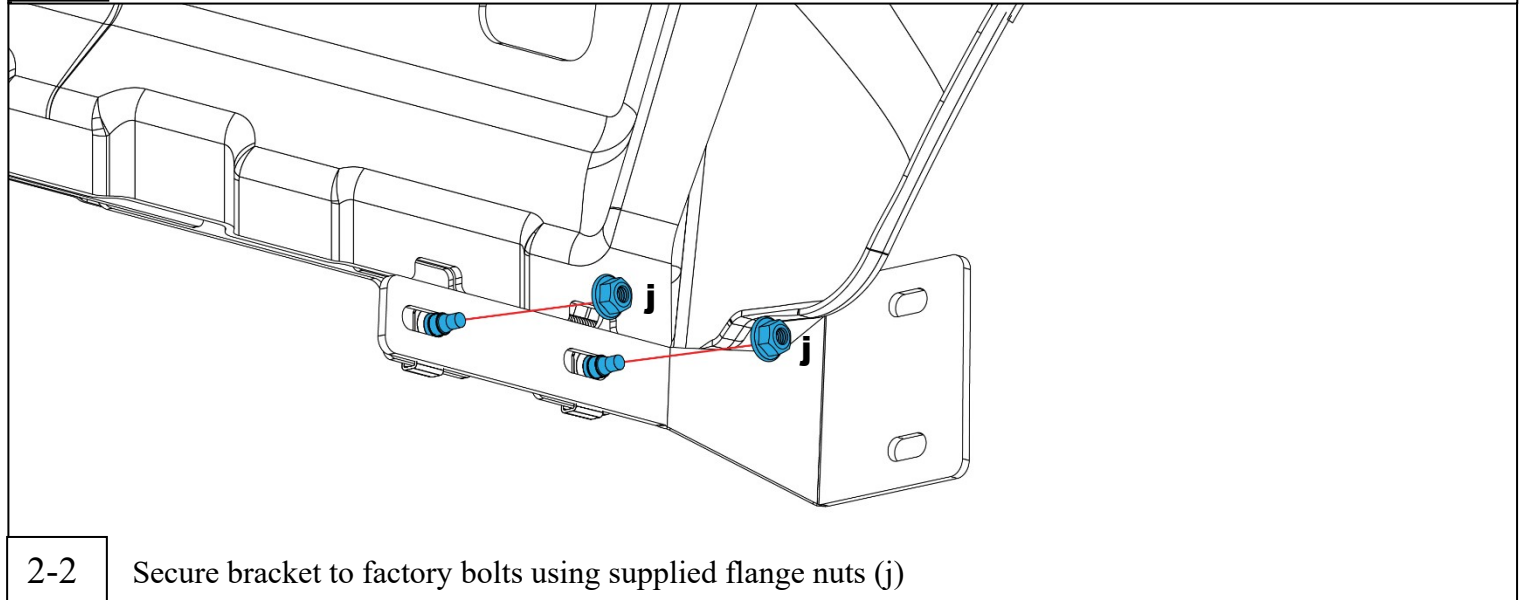
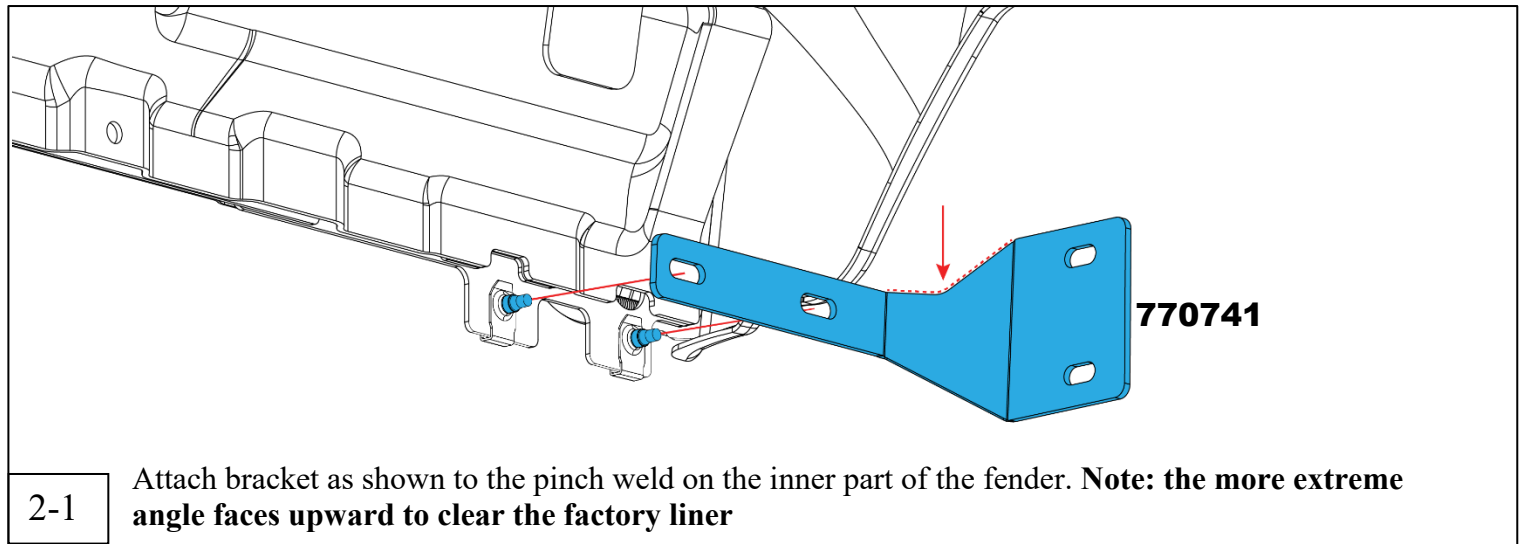
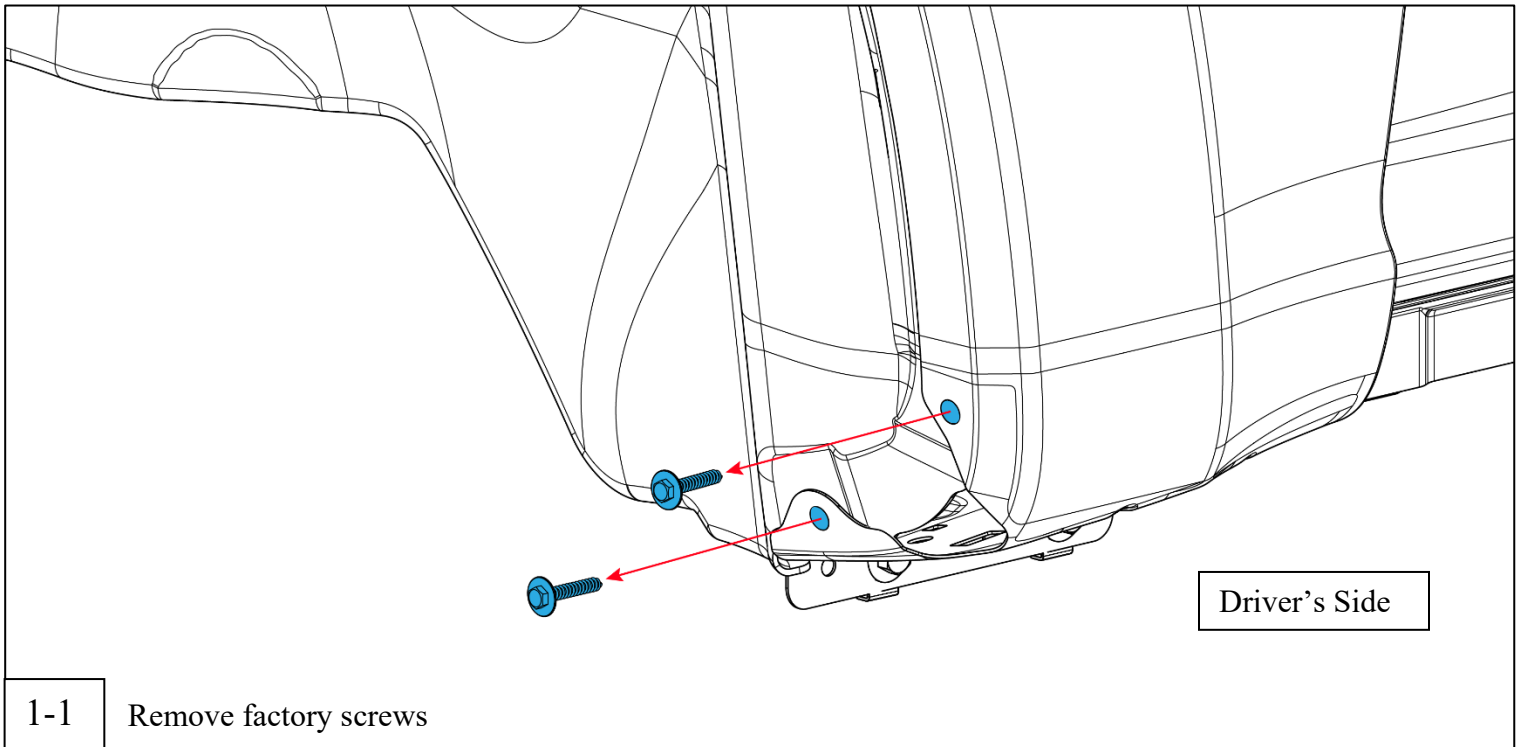
q) (1) Mount Clip
PS
Part #769309

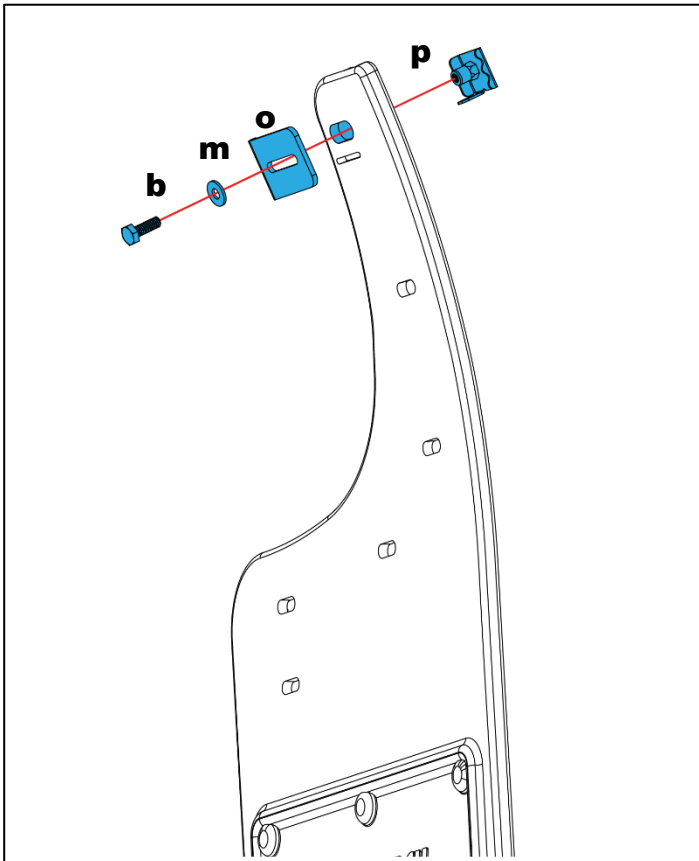


r) (1) Protective Tape
Universal, 2 pc
Part #770681



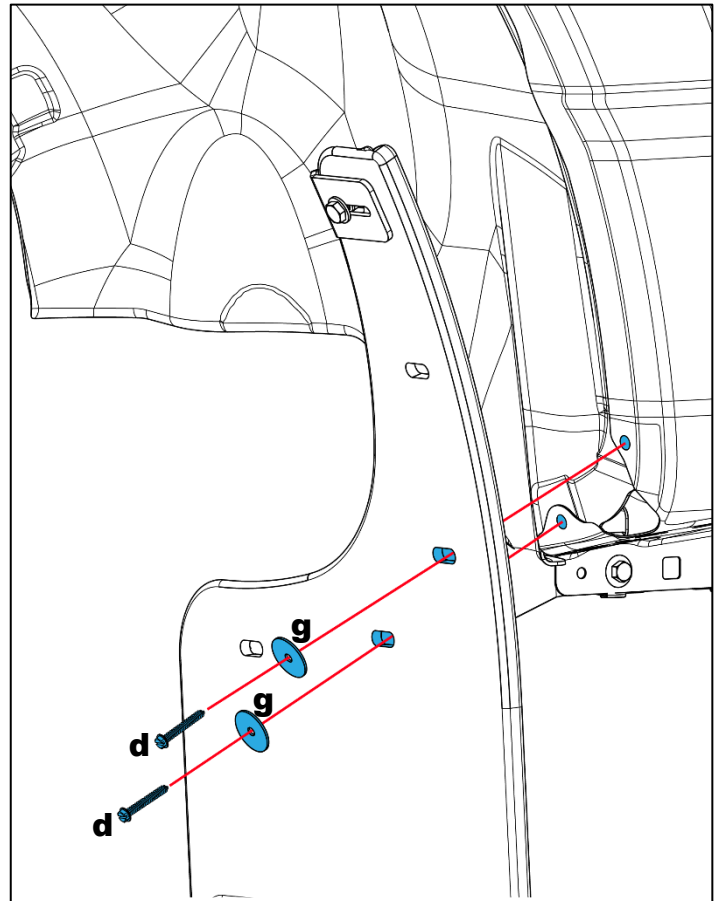
Installation





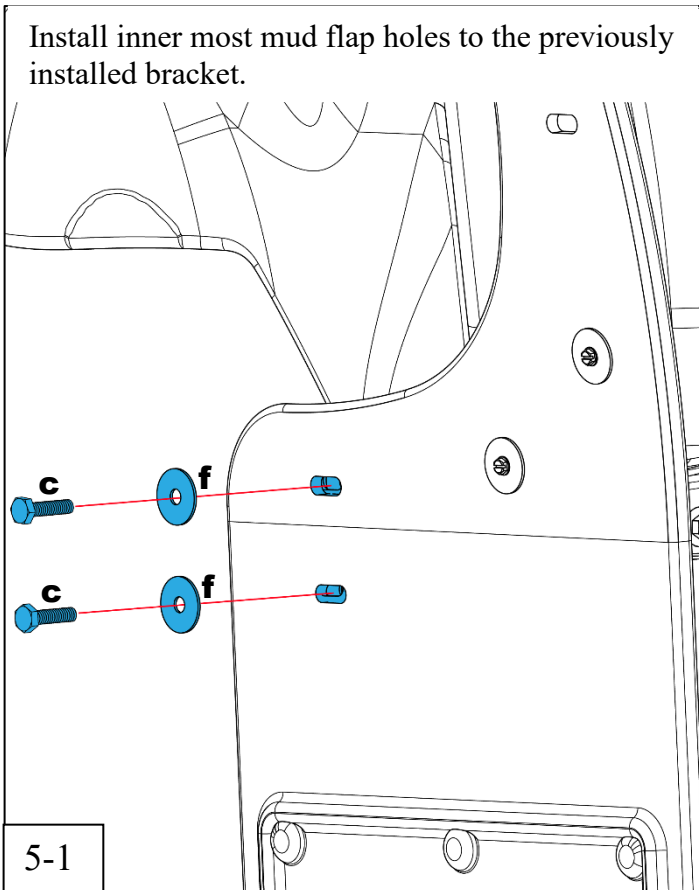
3-1

Loosely install mount clip to top mud flap hole. Do not install on the fender lip at this time.



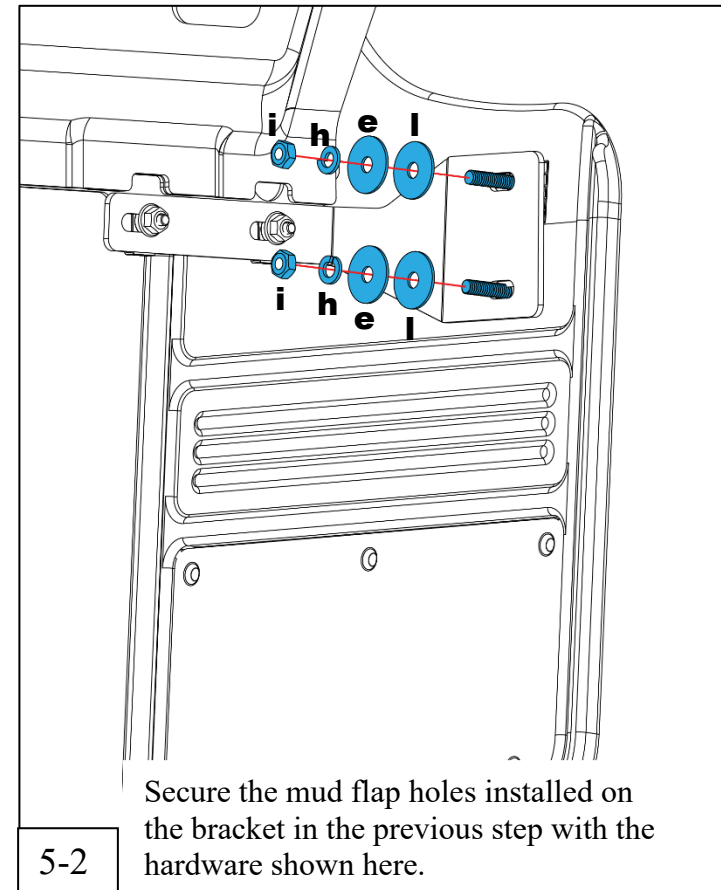
4-1

Install these two mud flap holes to the factory holes as shown



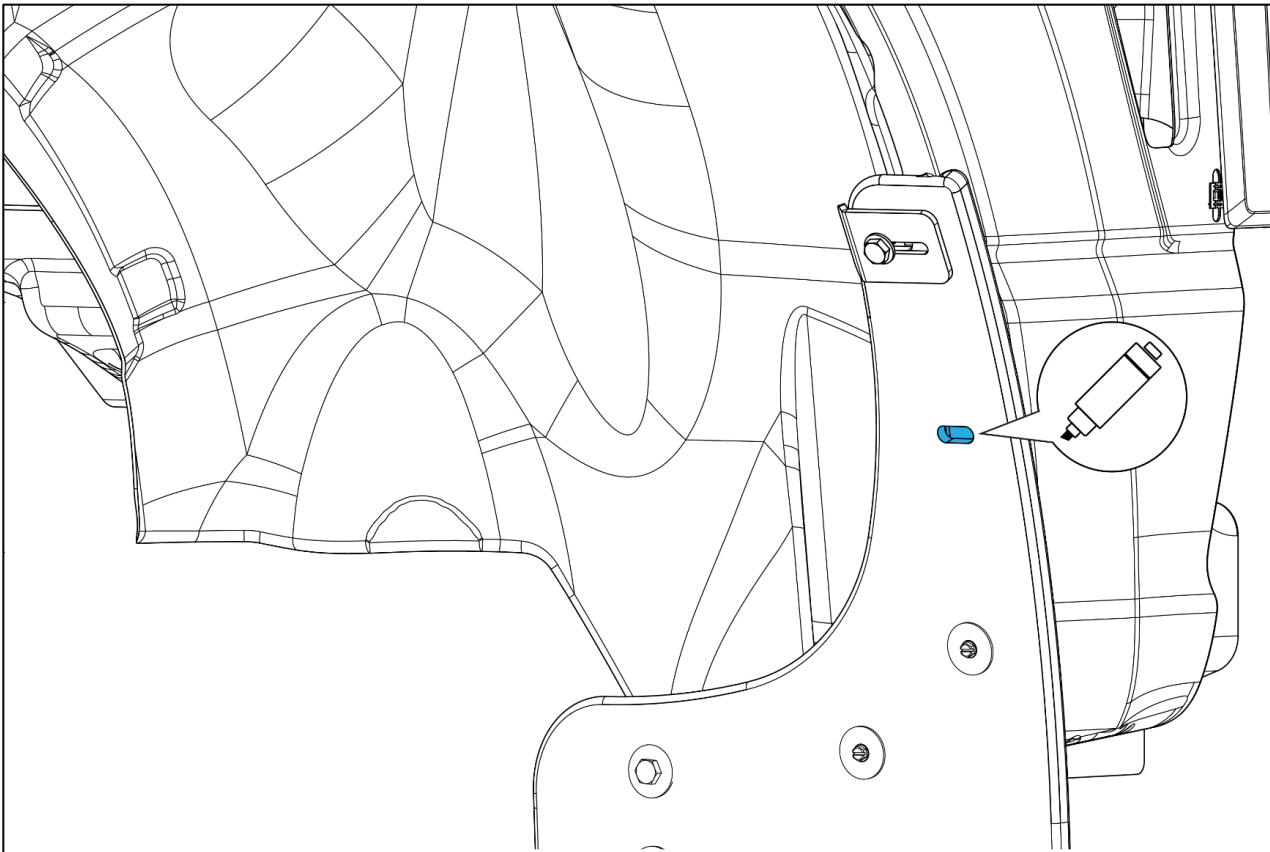
5-1

Install inner most mud flap holes to the previously installed bracket.



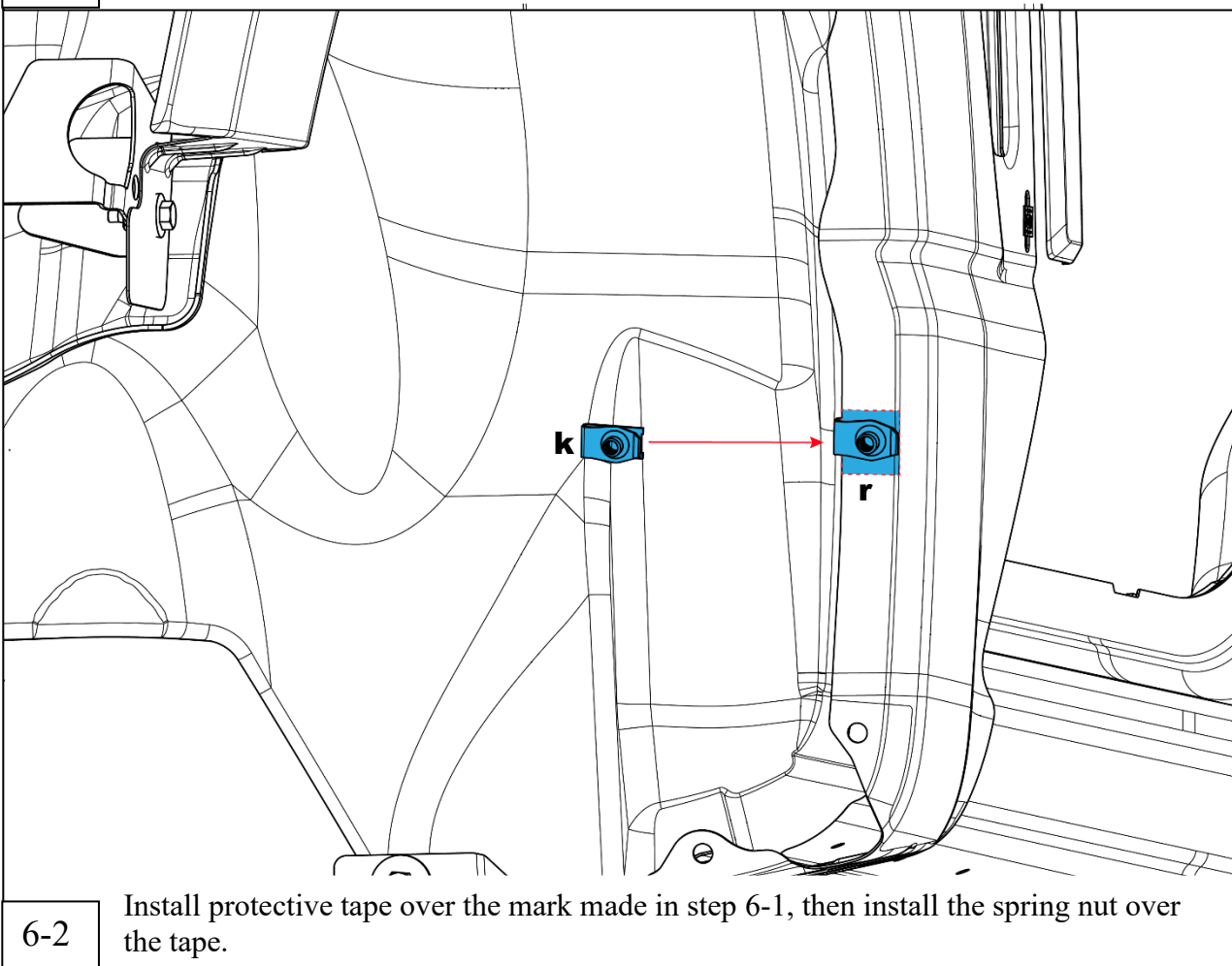
5-2

Secure the mud flap holes installed on the bracket in the previous step with the hardware shown here.



With the mud flap held tight to the fender lip, mark the fender through the remaining mud flap hole. This provides a guide for installing the protective tape and spring nut as shown in 6-2.

6-1

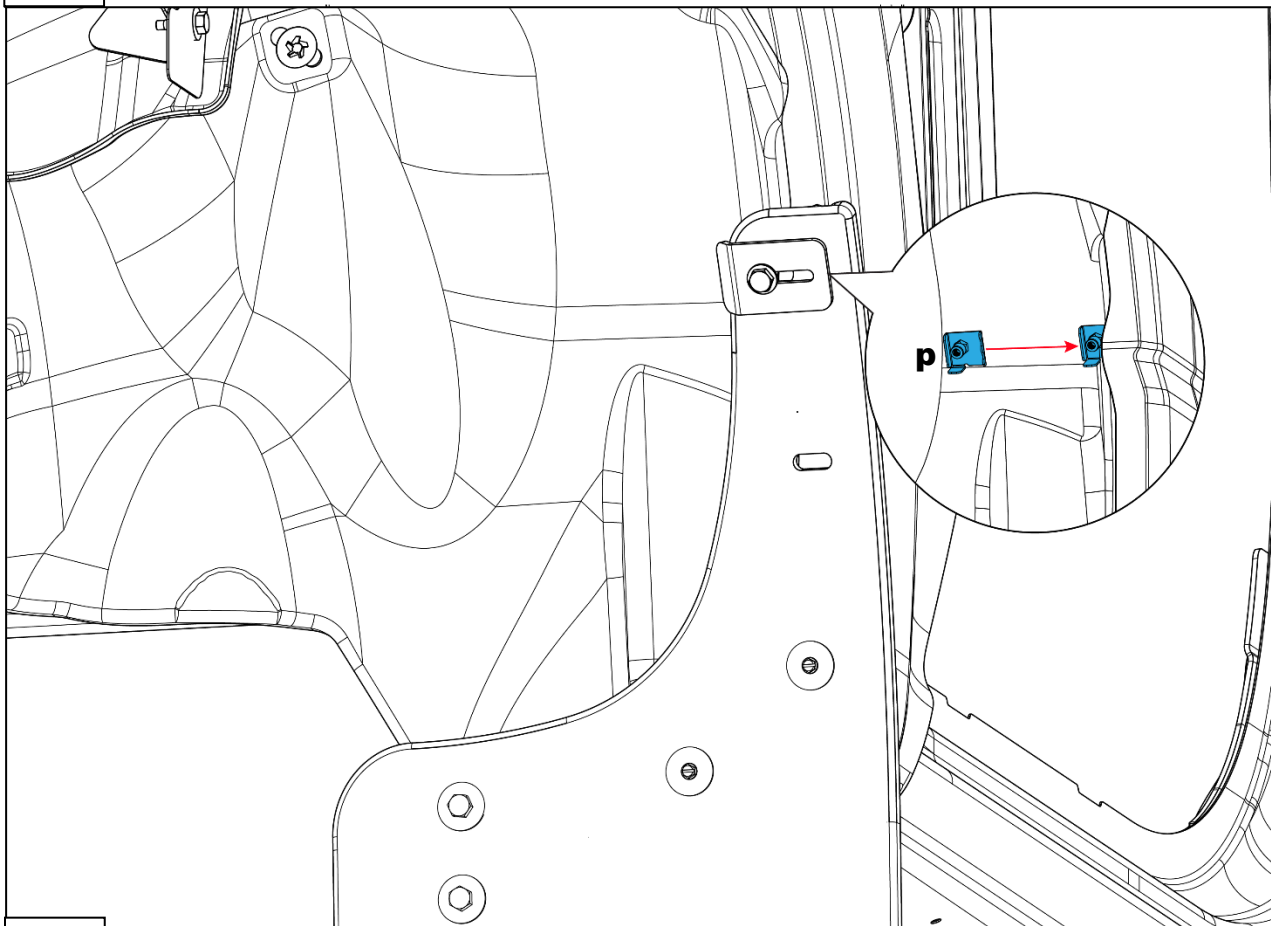


Install protective tape over the mark made in step 6-1, then install the spring nut over the tape.

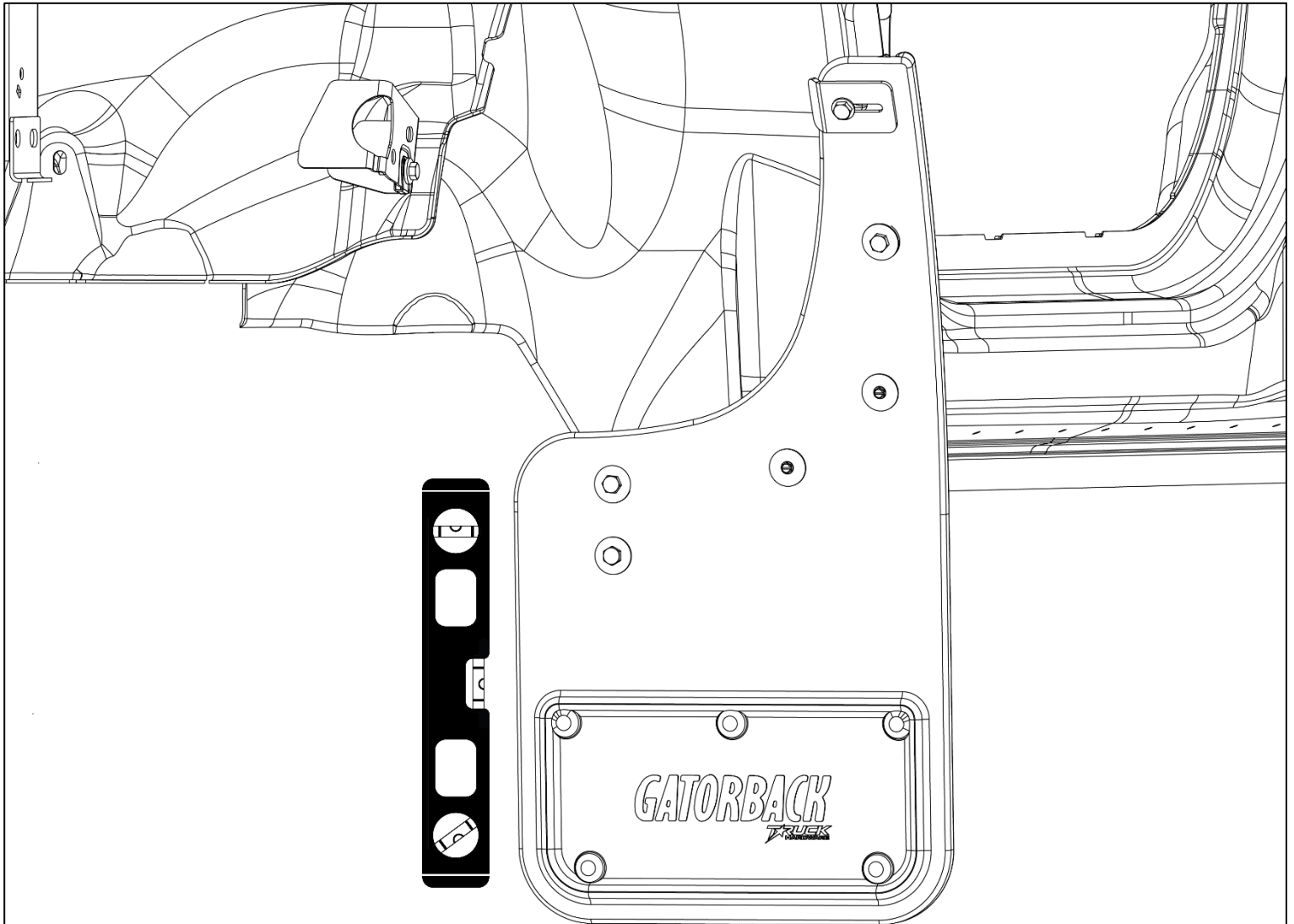
6-2



6-3 Install the hardware shown here into the spring nut installed in 6-2.



7-1 Slide the mount clip behind the fender lip as shown here



8-1 Use a level and visually determine your mud flap is straight. Gently tighten all fasteners.

Please check out our YouTube channel to see an install video for this application

