



I-SHEET NUMBER: INST-00006
 PART NUMBER: GFC19CC-TX GFC19QC-TX
 PRODUCT: GROWLER RUNNING BOARD
 APPLICATION: 2019-2024 CHEVY/GM CC/QC
 1500/2500/3500/GAS /DIESEL

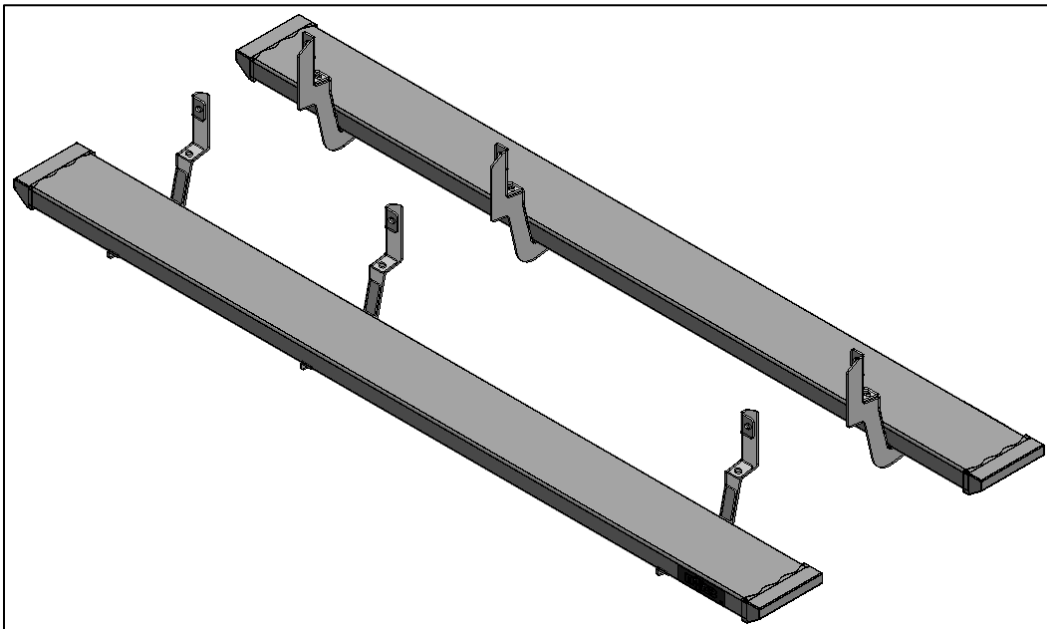
HARDWARE DESCRIPTION		QTY.
HWKT-00024X		
FLBW-00894	M8-1.25 X 30MM CLASS 8.8 FLANGE CAP SCREW W/WASHER	12
FLHB-00688	3/8"-16 X 1" GRADE 5 HEX SERRATED FLANGE BOLT	12



PARTS INCLUDED		QTY
Running Boards		2
Rocker Panel mounting Brackets		6
Threaded clamp plates		6

GROWLER

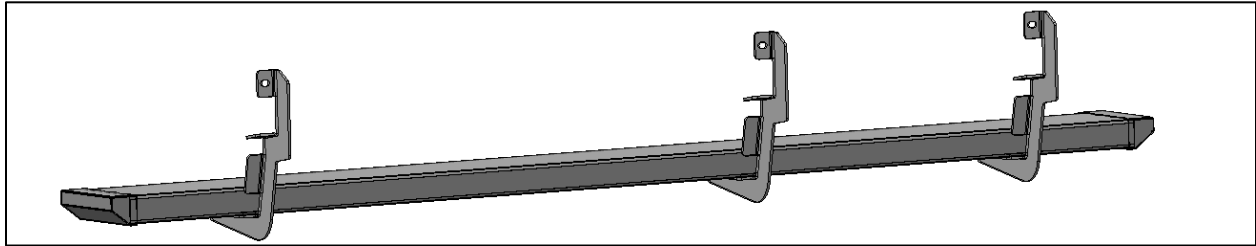
DO NOT USE IMPACT TOOLS



Step 1: Beginning with the driver side, remove factory-running bards if equipped and discard. You will see the 8mm threaded mounts in the body. Do the same with passenger side.

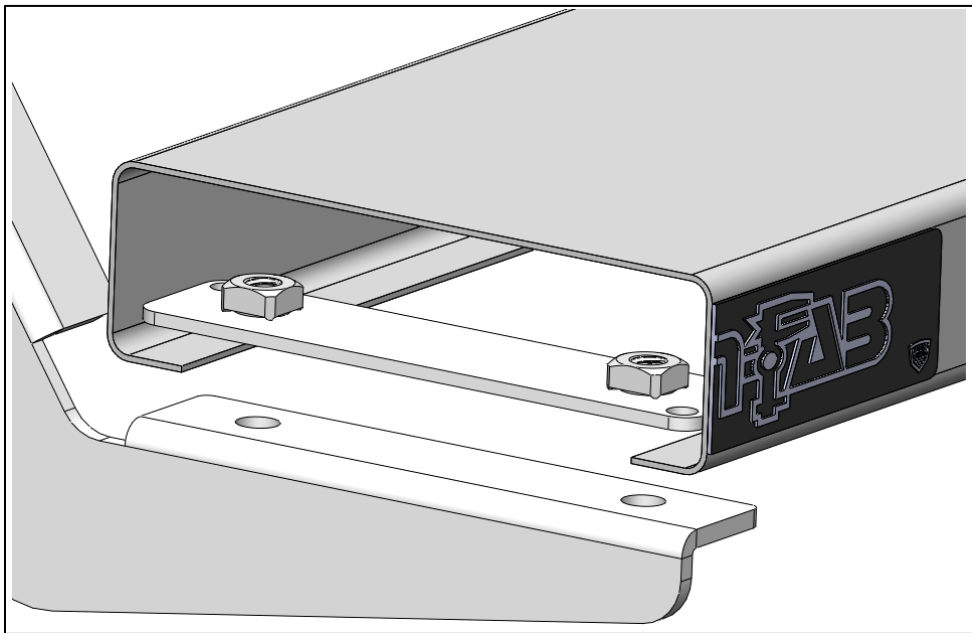
Step 2: Next, install the (x3) rocker panel mounting brackets to the factory attachment points using the supplied M8X30mm Hex Cap Bolt with washer and leave loose at this time.

Step 3: Set running board along the top of the three brackets and center along the cab front/back.



Step 4: Insert the supplied threaded brackets (x3) inside the running board lip over the top of each bracket.

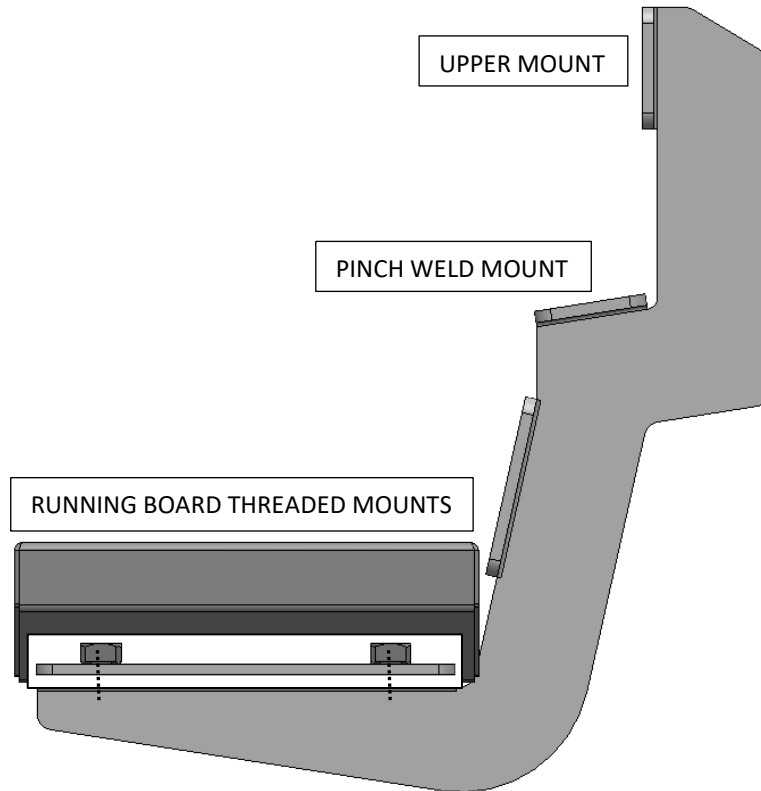
Step 5: With the supplied 3/8" x 1" hex bolts, secure each mounting location and leave loose.



Step 8: After final adjustment, tighten all running board threaded mounts.

Step 9: Next, tighten the lower pinch weld attachment points (x3).

Step 10: Finish by tightening the upper mounts (x3).



Step 9: Re-peat with passenger side.