



n-fab.com

a TRUCK HERO company



I-SHEET NUMBER: INST-00107  
PART NUMBER: GFF19CC-TX  
PRODUCT: **Growler Running Board**  
APPLICATION: **19-23 FORD RANGER CREW CAB**

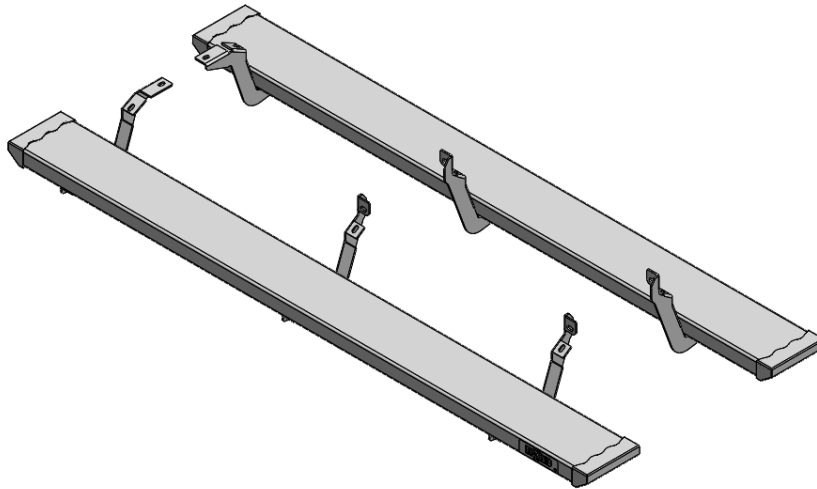
HARDWARE DESCRIPTION		QTY.
<b>HWKT- 04268X</b>		
FHLB 04240X	M10x25mm HEX FLANGED BOLT	12
FLHB-00688	3/8"-16 X 1" GRADE 5 HEX SERRATED FLANGE BOLT	12

PARTS INCLUDED		QTY
Running Board		2
Rocker Panel mounting Brackets		6
Threaded clamp plates		6



# GROWLER

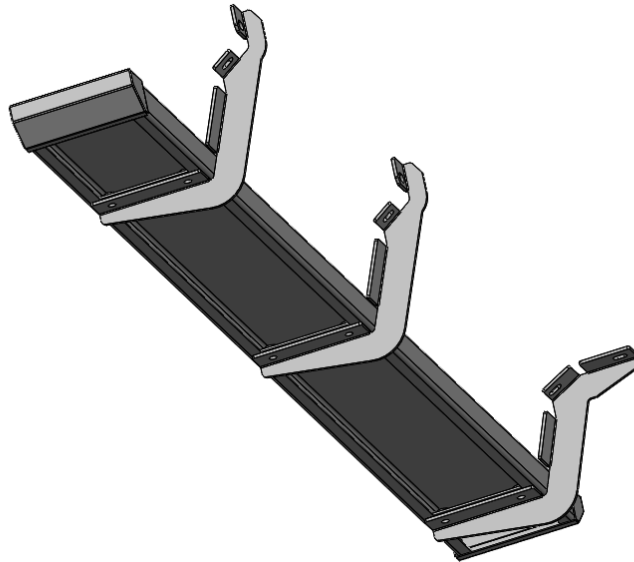
**DO NOT USE IMPACT TOOLS**



**STEP 1:** Remove any factory running boards or hardware and discard.  
**STEP 2:** Clean/tap the three factory threaded mounting locations.



**STEP 3:** Starting with the driver's side, install the (x3) rocker panel mounting brackets to the factory attachment points using the supplied M10X25mm Hex Cap Bolts and leave loose at this time.  
**STEP 4:** Set running board along the top of the three brackets and center along the cab front/back.





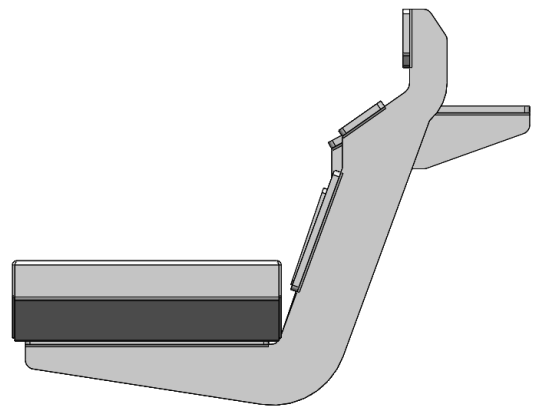
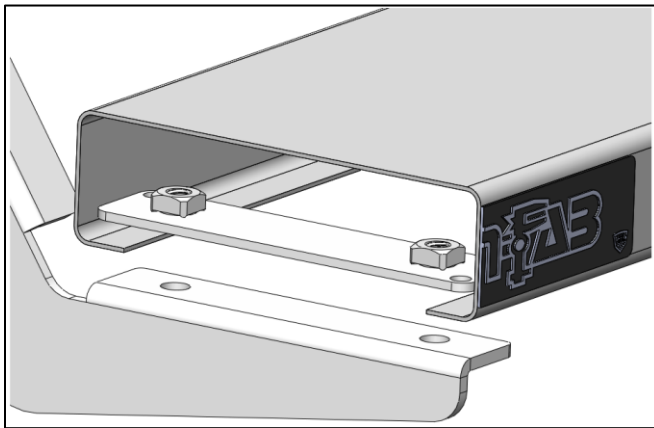
I-SHEET NUMBER: INST-00107  
PART NUMBER: GFF19CC-TX  
PRODUCT: **Growler Running Board**  
APPLICATION: **19-23 FORD RANGER CREW CAB**

**Step 5:** Insert the supplied threaded brackets (x3) inside the running board lip over the top of each bracket.

**Step 6:** With the supplied 3/8" x 1" hex bolts, secure each mounting location and leave loose.

**Step 7:** After final adjustment, tighten all running board threaded mounts.

**Step 8:** Next, adjust rocker panel brackets so the running board is level with body of the vehicle and tighten all factory-mounting locations.



**Step 9:** Repeat with passenger side.