

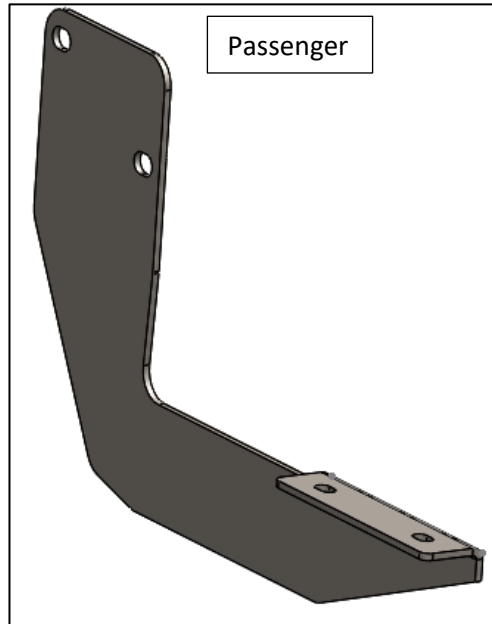
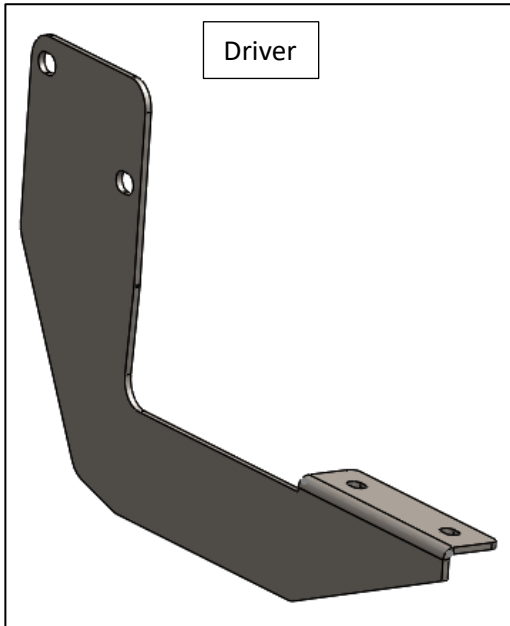


I-SHEET PART NUMBER: INST-00220
 PART NUMBER: **GFM07VR-TX**
 PRODUCT: **GROWLER RUNNING BOARD**
(REAR STEP)
 APPLICATION: **13-24 MERCEDES-SPRINTER VAN**

HARDWARE DESCRIPTION		QTY.
HWKT-08085X		
FLHB-00688X	3/8"-16 X 1" GRADE 5 HEX SERRATED FLANGE BOLT	4
FLNT-00469X	1/2"-13 GRADE 5 SERRATED FLANGE NUT	4
FLTW-00752X	1/2" USS FLAT WASHER 50HR YELLOW ZINC	4
HHCS-07776X	1/2-13 X 4.5" GRADE 8 PARTIAL THREAD	4

PARTS INCLUDED	QTY
RUNNING BOARD STEP	1
DRIVER SIDE MOUNTING BRACKET	1
PASSENGER SIDE MOUNTING BRACKET	1
THREADED NUT PLATE	2

FRAME BRACKET

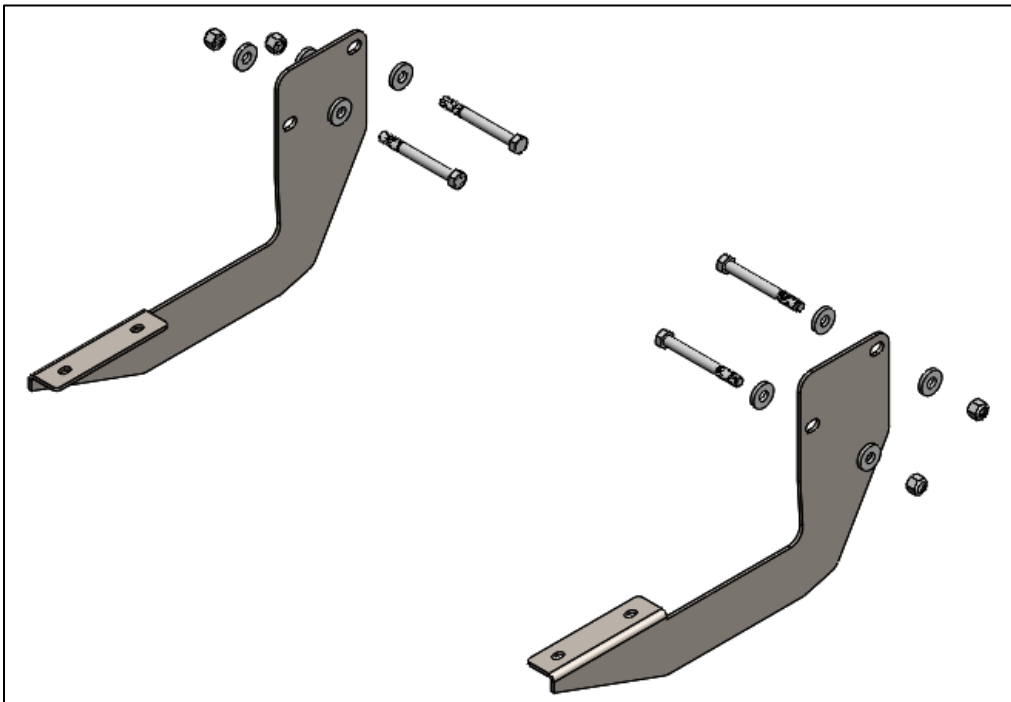


INSTALLATION

Step 1. If equipped with a factory hitch or tow hooks, remove all six to eight mounting bolts and discard.



Step 2. Install driver and Passenger side mounting bracket using the supplied 1/2-13 x 4.5" hex bolt, 1/2-13 flat washer and 1/2-13 flanged nuts and leave loose for now.



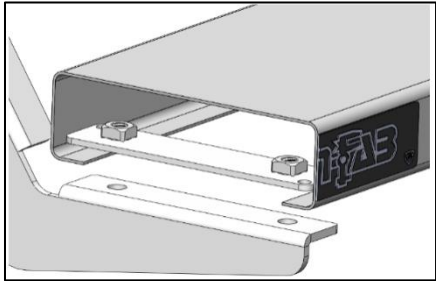


I-SHEET PART NUMBER: INST-00220
PART NUMBER: **GFM07VR-TX**
PRODUCT: **GROWLER RUNNING BOARD**
(REAR STEP)
APPLICATION: **13-24 MERCEDES-SPRINTER VAN**

Step 3: Next, center the running board step along the two brackets.



Step 4: Install the (x2) threaded nut plates and fasten using the supplied 3/8" x 1" Hex flanged bolts. Leave loose for now.



Step 5: After final adjustment, tighten (X4) step bolts (25-30 ft./lbs.) and (x4) frame bracket bolts (90-100 ft./lbs)

