

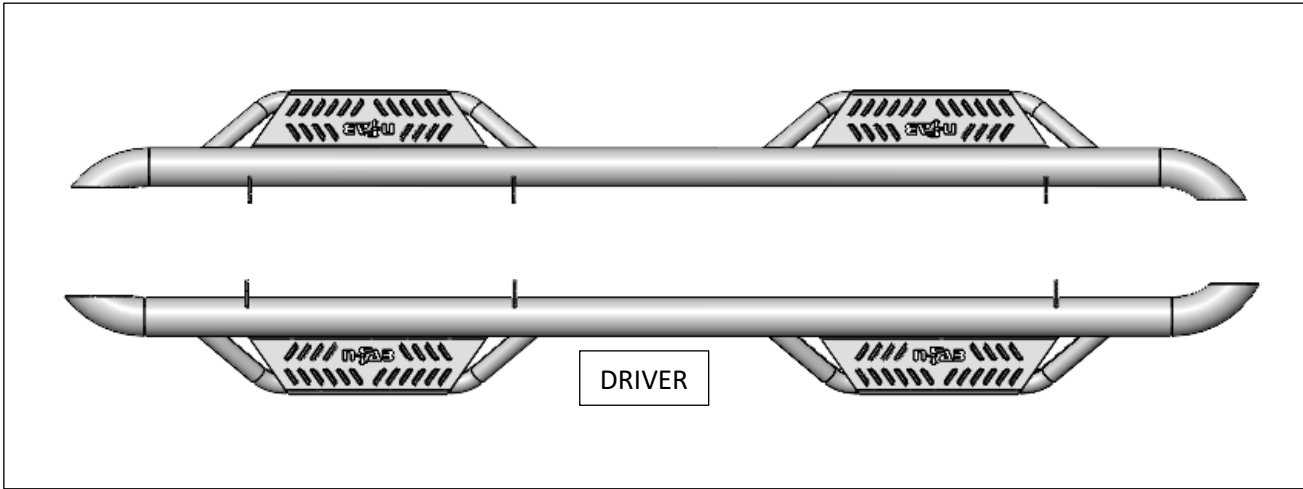
HARDWARE DESCRIPTION		QTY.
HWKT-00031X		
FLNT-00696X	M8 FLANGED HEX NUT	18
FDRW-00736X	M8 FENDER WASHER ZINKLAD 1000B	18
	M10X25mm Carriage bolt	12
	M10 hex nut	12

PARTS INCLUDED	QTY
DRIVER SIDE	1
PASSENGER SIDE	1
Mounting bracket	6



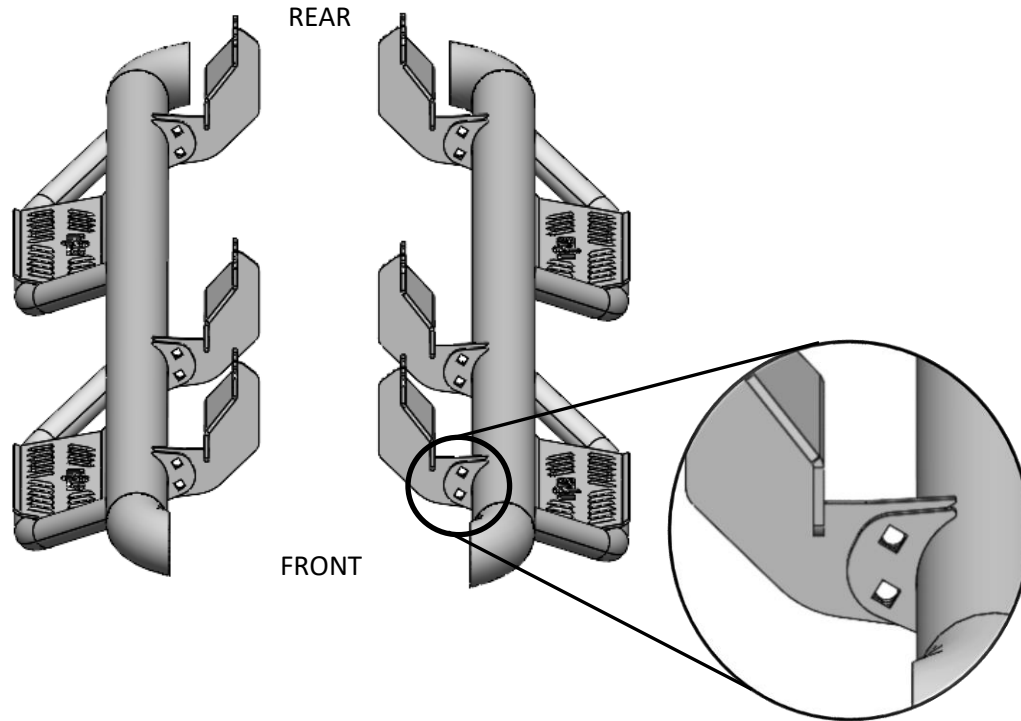
DO NOT USE IMPACT TOOLS

Step 1. Locate the driver side step rail.



Step 2. Install the (x6) mounting brackets to each attachment point on the main tube using the supplied M10x25 carriage bolts, M10 hex nuts and leave loose for now.

****** NOTE: The brackets will attach to the backside of the mounting flange with the threaded end of the carriage bolt facing towards the REAR of the step. ******



Step 3. If equipped, remove all 8mm nuts from the threaded studs and remove factory running board.



Step 4. Carefully raise step into position and align the three brackets with the threaded studs.
***NOTE:** Be sure the front of the tube is in front of the plastic guard.

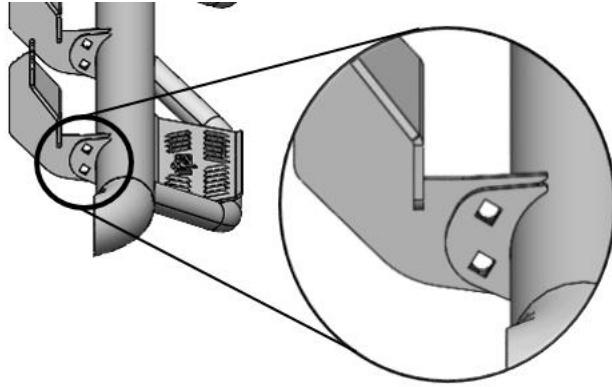


Step 5. Starting with the rear bracket, push up towards the pinch weld so the 3" main tube is high and tight to the body of the vehicle and use the supplied M8 nut and washer to secure the bottom left stud first.

Step 6. Next, move to the front bracket and push up to level the main tube to body of the vehicle and secure all three mounts with the supplied M8 nut and washer. Do the same with the middle bracket and finish tighten the remaining nuts on the rear bracket.



Step 7. After final adjustment, tighten all three brackets at the main tube.



Step 8. Repeat steps 2-7 with passenger side.