



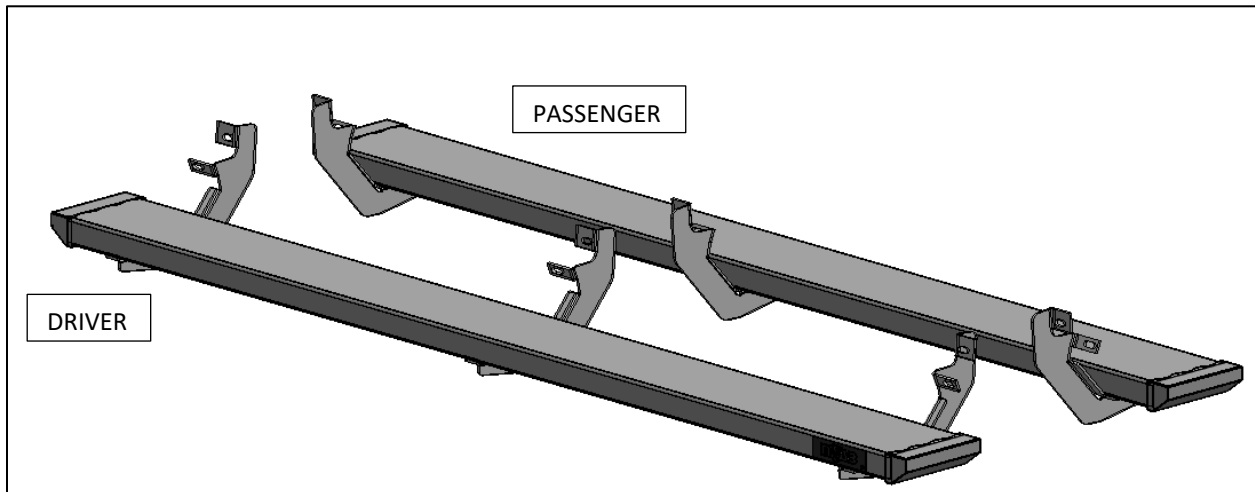
I-SHEET NUMBER: INST-00010  
 PART NUMBER: D15-QCTX, D15-CCTX  
 PRODUCT: **GROWLER RUNNING BOARD**  
 APPLICATION: RAM 15-18 1500  
 RAM 10-20 2500/3500

HARDWARE DESCRIPTION		QTY.
HWKT-05692X		
HHCS-00568X	3/8"-16 X 1" GRADE 5 HEX CAP SCREW	6
CLIP-00647X	3/8"-16 X 1 3/4" BARREL NUT CLIP	6
FLHB-00797X	M8-1.25 X 25MM CLASS 8.8 HEX SERRATED FLANGE BOLT	12
FLNT-00696X	M8-1.25 CLASS 8 SERRATED FLANGE NUT	6
FLTW-00663X	3/8" USS FLAT WASHER	6
FLHB-00688X	3/8"-16 X 1" GRADE 5 HEX SERRATED FLANGE BOLT	12

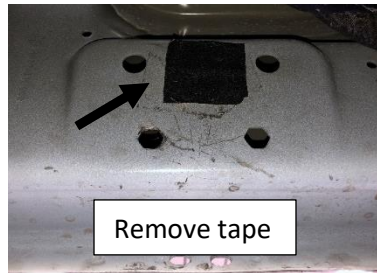


PARTS INCLUDED	QTY
Running Boards	2
Rocker Panel mounting Brackets	6
Threaded clamp plates	6

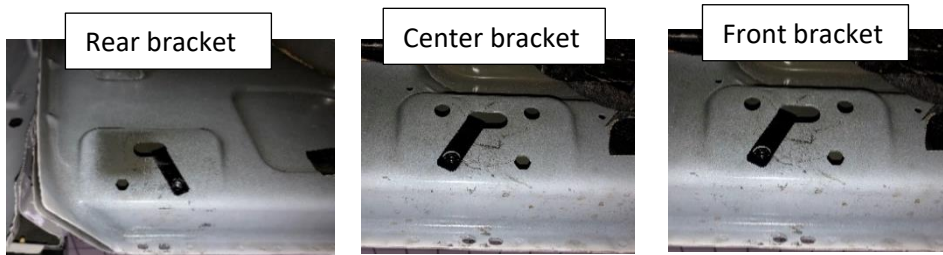
# GROWLER



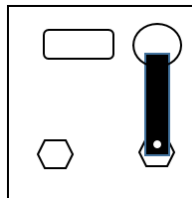
**Step 1:** Beginning with the driver side, remove any factory running boards or steps and discard.  
**Step 2:** Next, locate the mounting holes underneath the body and remove the factory tape from the three locations.



**Step 3:** Insert the supplied threaded U- clips in each mounting location.



U-clip positioning. **NOTE:** U- Clip orientation will be the same for passenger



**NOTE:** If you have a 14-18 model you may have to drill a 1" round opening for the rear bracket location to add the clip. If so, go ahead and complete this step at his time.

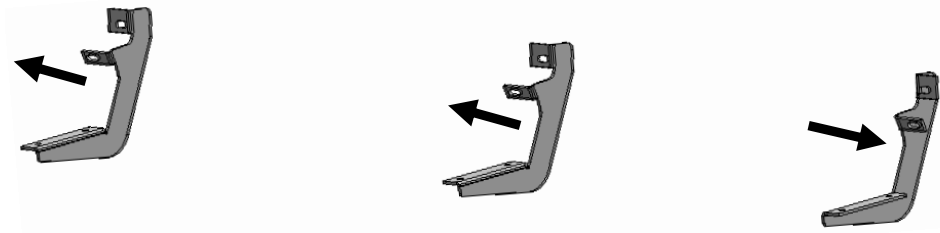
**Step 4:** Some models may require drilling a hole in the pinch weld for the bottom mounting position. To do this, line up the mounting bracket with upper clip and make a mark on the pinch weld. With a 3/8" drill bit, drill a hole in the center. If this step is required, do so now.



**NOTE:** Use the supplied M8x25mm flanged hex bolt if vehicle is equipped with 8mm threaded mounts.

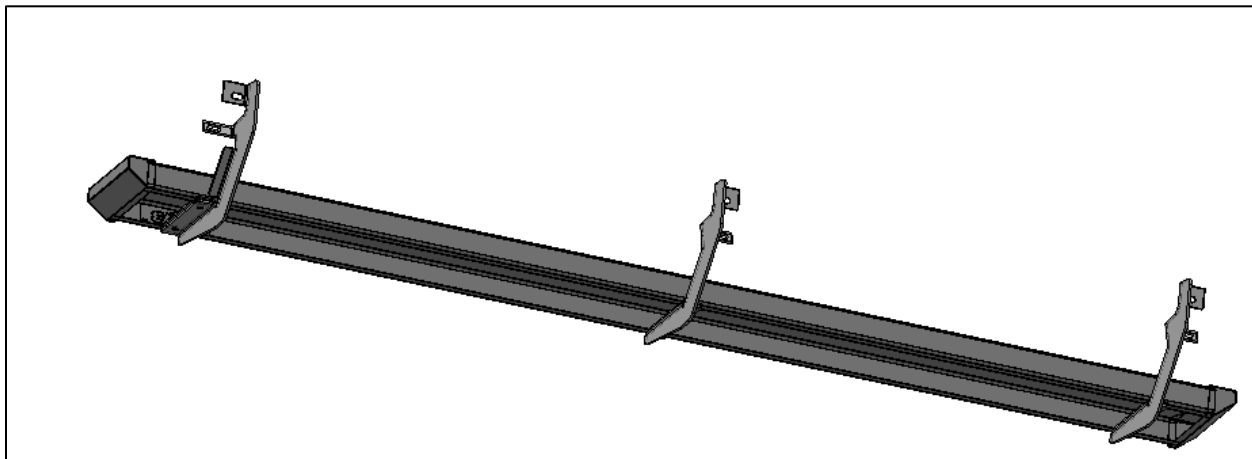
I-SHEET NUMBER: **INST-00010**  
 PART NUMBER: **D15-QCTX, D15-CCTX**  
 PRODUCT: **GROWLER RUNNING BOARD**  
 APPLICATION: **RAM 15-18 1500**  
**RAM 10-20 2500/3500**

**Step 5:** Install the (x3) rocker panel mounting brackets to the factory attachment points using the provided 3/8" x 1" hex bolts and 3/8" flat washers for the upper mount and the M8x25mm flanged bolt and M8 flanged nut for the pinch weld mount. Leave loose for now.



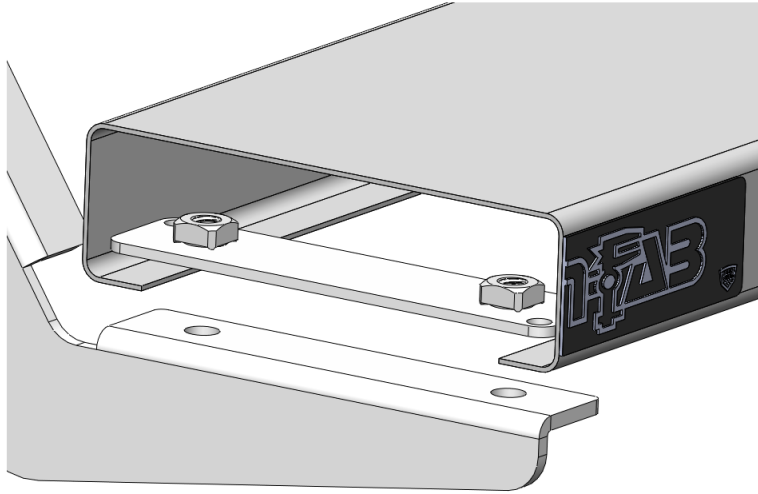
**NOTE:** *Make sure the brackets are facing in the correct direction.*

**Step 6:** Set running board along the top of both brackets and center along the cab.



**Step 7:** Insert the supplied threaded brackets x3 inside the running board lip over the top of each bracket.

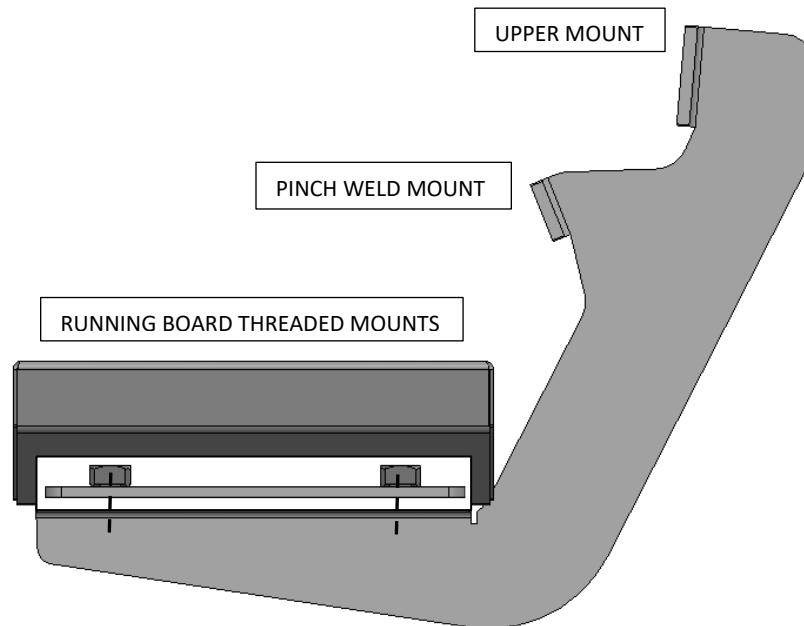
**Step 8:** With the supplied 3/8" x 1" hex bolts, secure each mounting location and leave loose.



**Step 9:** After final adjustment, tighten all running board threaded mounts.

**Step 10:** Next, tighten the lower pinch weld attachment points (x3).

**Step 11:** Finish by tightening the upper mounts (x3).



**Step 12:** Repeat steps 2-11 for passenger side.