



I-SHEET PART NUMBER: INST-00196  
 PART NUMBER: ALL MODLES C99/C01  
 PRODUCT: HOOP STEP  
 APPLICATION: 99-06 CHEVY/GMC  
 1500/2500/3500 QC CC

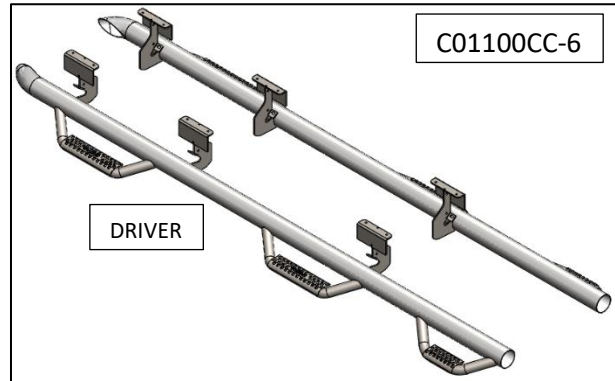
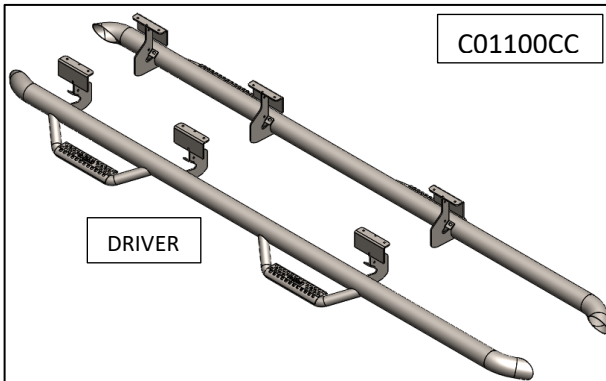
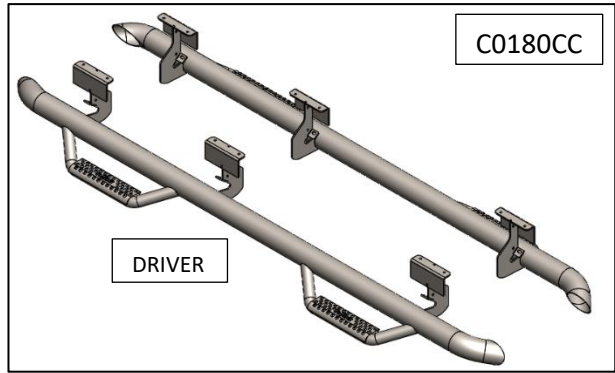
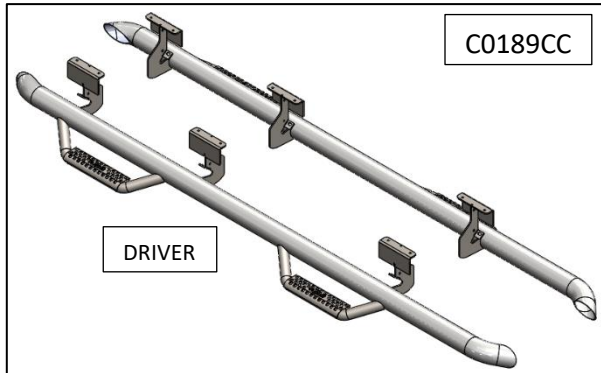
HARDWARE DESCRIPTION		QTY.
<b>HWKT-07024X</b>		
90185A587	5/16-18 CARRIAGE BOLT	6
FW-00006	5/16 FLAT WASHER	6
HXNT-07022X	5/16 HEX NUT	6

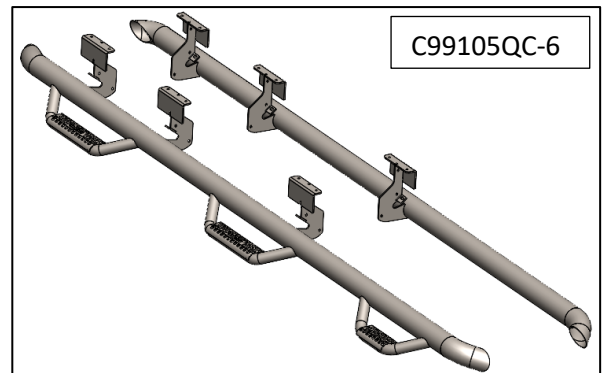
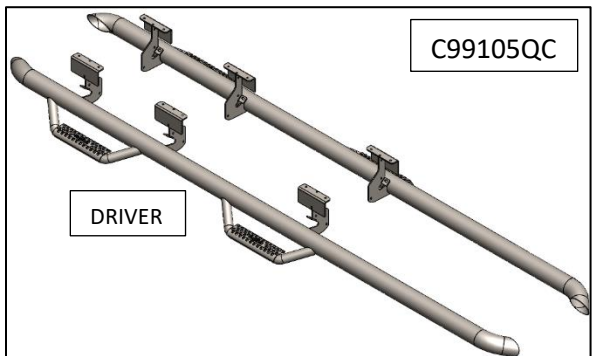
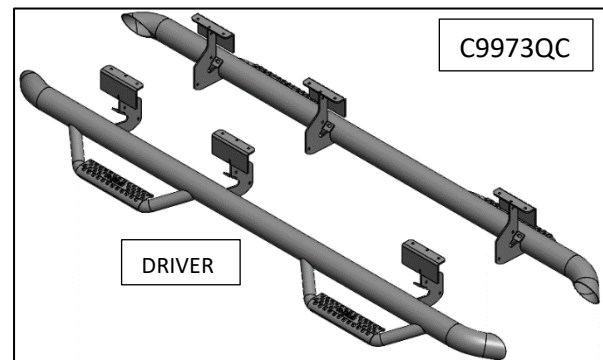
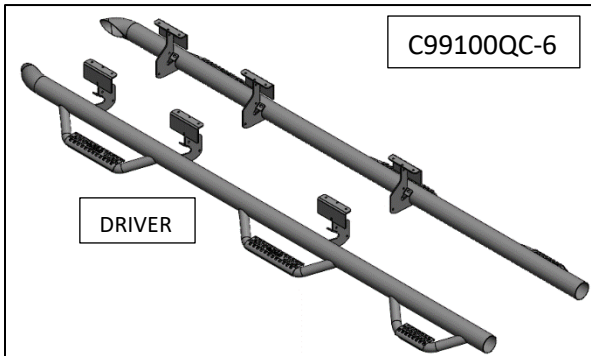
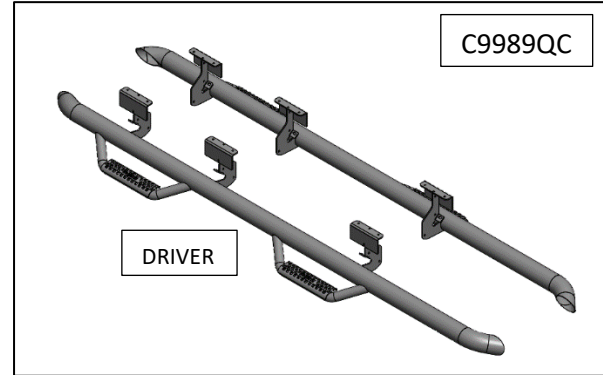
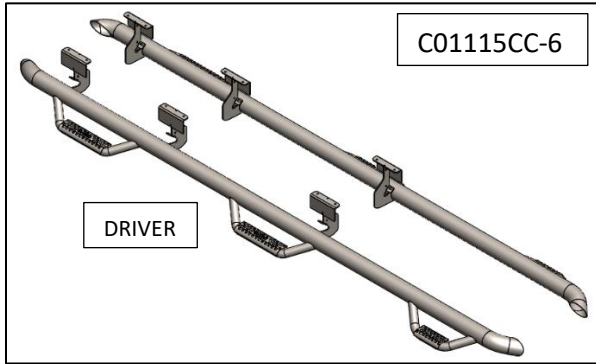
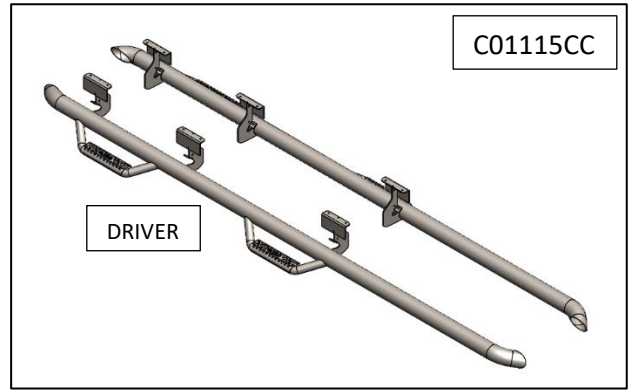
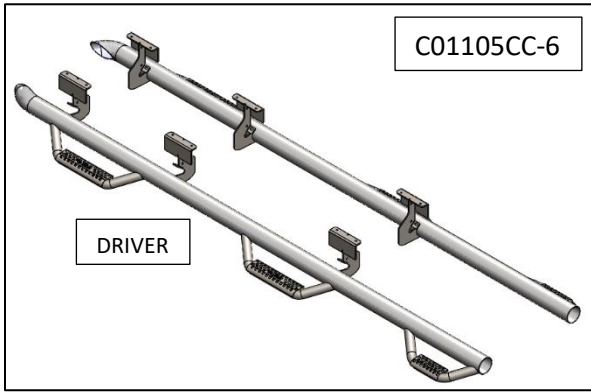


PARTS INCLUDED	QTY
DRIVER SIDE STEP	1
PASSENGER SIDE STEP	1

## N-FAB NERF STEP SYSTEM

**STEP 1:** Identify driver side step.





**Step 2:** Hold nerf step up to the pinch weld of the body with the lower mounting tab placed on top.

**Step 3:** Position the front tip of the step approximately  $\frac{3}{4}$ " behind the fender well opening.

**(NOTE: If you have over sized tires, allow enough clearance for steering.)**



**Step 4:** Make a mark in the center of the pinch weld below the mounting tab in each bracket.

**Step 5:** Using a  $\frac{3}{8}$ " bit, drill out each (x3) marked holes.

**NOTE: Be sure to drill the holes approximately  $\frac{1}{8}$ " from the edge.**

**Step 6:** Next, install the step aligning the brackets with the pre-drilled holes.

**Step 7:** Starting with the center bracket, loosely fasten using the supplied  $\frac{5}{16}$ " carriage bolt, nut and washer. Repeat with front and rear bracket. **Be sure the carriage bolt starts from the bottom and comes up through the body with the washer and nut on top.**

**Step 8:** Using a gear wrench or socket, torque each mounting position to 22 ft/lbs.

**Step 9:** Repeat steps 2-8 with passenger side.

