

I-SHEET NUMBER: INST-00202
 PART NUMBER: **All REG CAB QUAD CAB AND CREW CAB MODELS**
 PRODUCT: **HOOP STEP**
 APPLICATION: **99-16 FORD F-250/350**

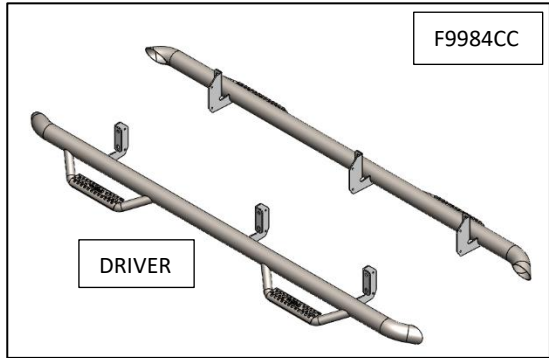
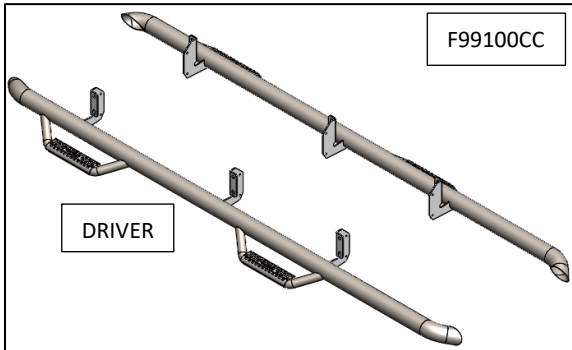
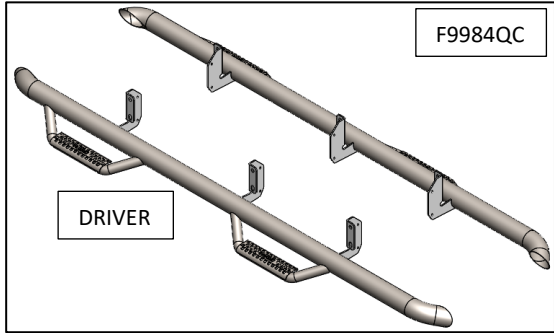
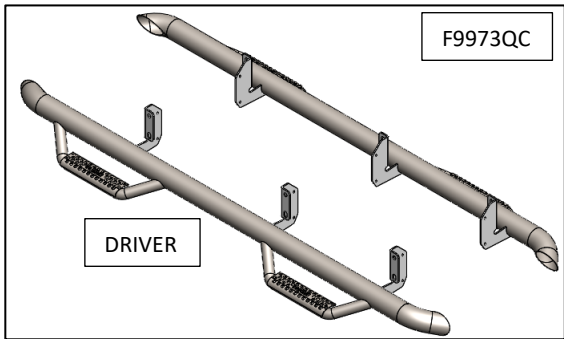
HARDWARE DESCRIPTION		QTY.
HWKT-07323X		
HHCS-00568X	3/8"-16 X 1"	6
FLTW-00663X	3/8" USS FLAT WASHER	12
CLIP-00646X	3/8"-16 X 3/4" BARREL NUT CLIP	6
CARB-00680X	3/8"-16 X 1-1/2" GRADE 5 CARRIAGE	6
HXNT-00717X	3/8"-16 GRADE 5 FINISHED HEX NUT	6

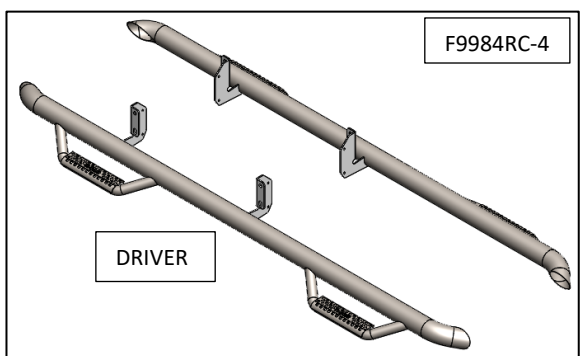
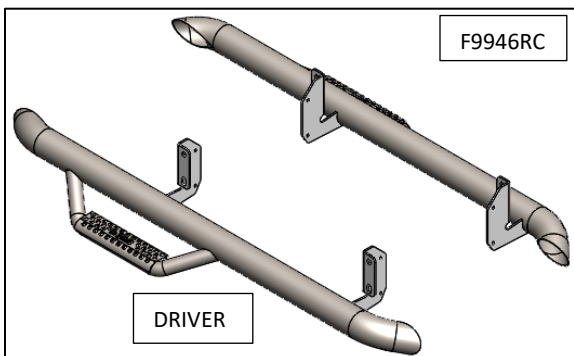
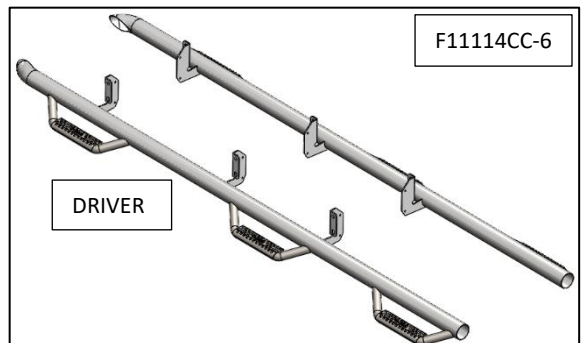
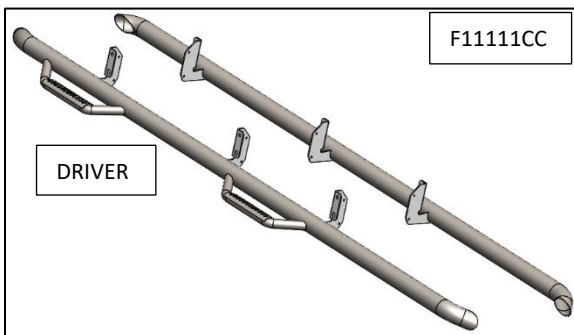
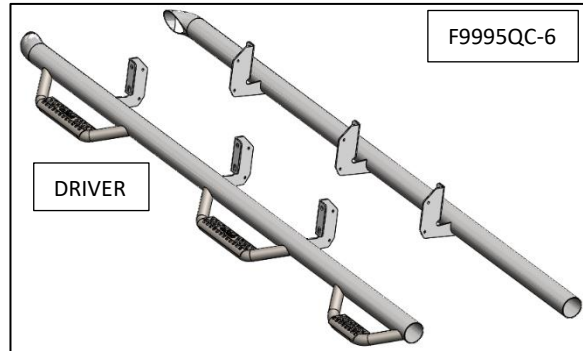
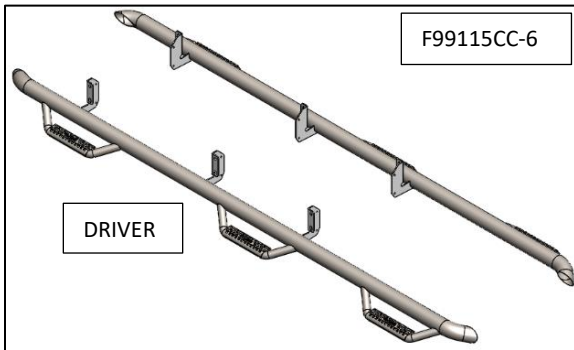
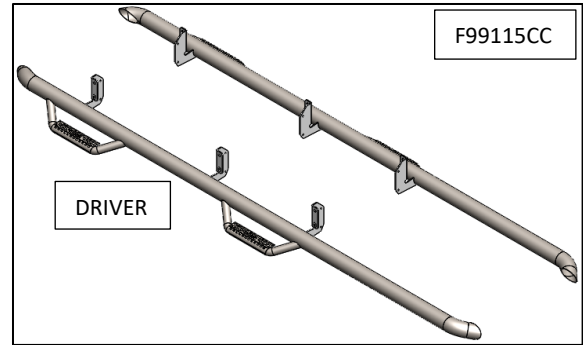
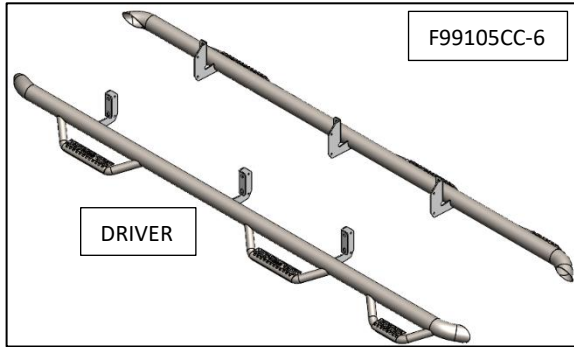
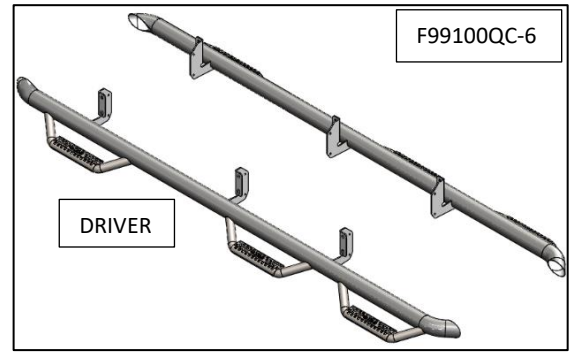
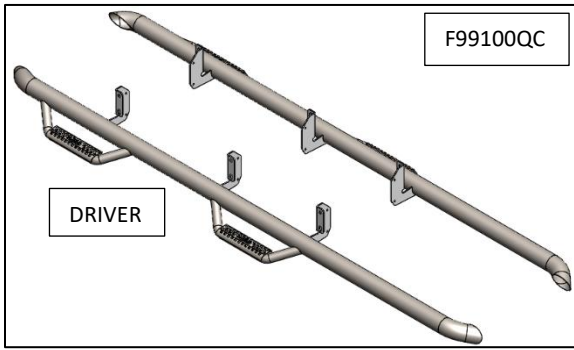


PARTS INCLUDED	QTY
Driver side step	1
Passenger side step	1

N-FAB NERF STEP SYSTEM

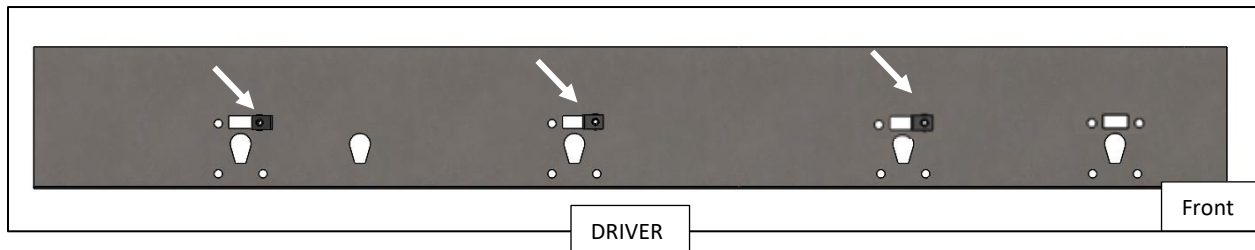
STEP 1: Identify driver side step.





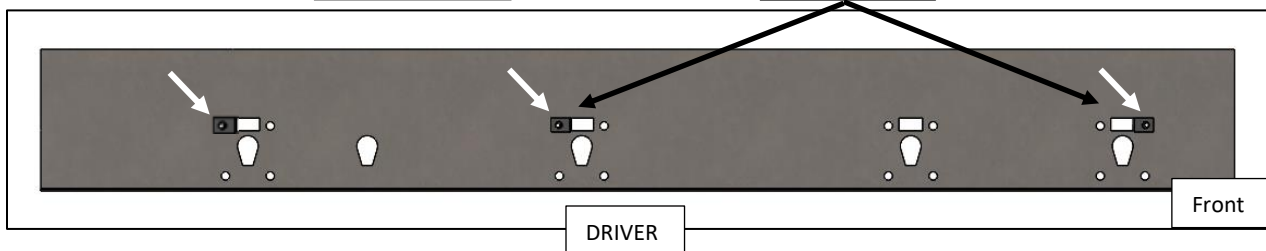
Step 2: Starting with the Driver side, locate the holes for the upper mounts (x3) and install the supplied (x2) 3/8" clips in each position. **NOTE: There will be four attachment points for the Quad Cab and five for the Crew Cab. Only three will be used for the installation. See below for your cab configuration.**

Crew Cab



Quad Cab

Reg. Cab



Step 3: Next, install the step aligning the brackets to the upper clips using the 3/8"x1" Hex bolt, 3/8' USS Flat washer for the upper attachment and the 3/8"x 1 1/2" carriage bolt 3/8" Hex nut and 3/8" USS washer for the lower attachment. Leave loose for now. **NOTE: The carriage bolts will start from the outside of the body, the nut and washer will be only visible from underneath the vehicle.**

Step 4: After final adjustment, tighten all hardware to 17-20 ft/lbs of torque.

Step 5: Repeat process for passenger side.