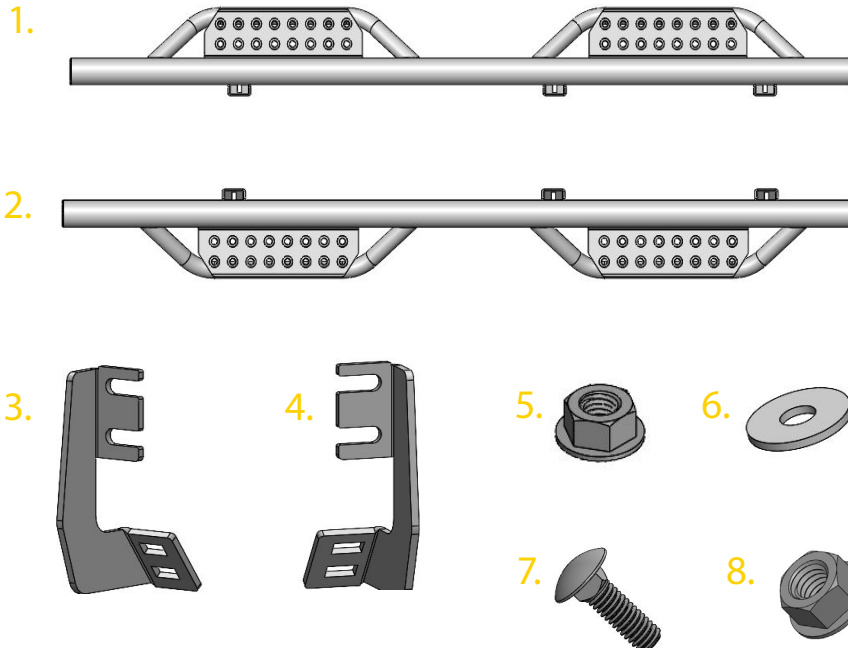


Components and Hardware:



Components and Hardware:

1. Driver side step.....	(1)
2. Passenger side step.....	(1)
3. Driverside mounting bracket.....	(3)
4. Passengerside mounting bracket.....	(3)
5. M8 flanged hex nut.....	(12)
6. M8 flat washer.....	(12)
7. M10x25mm carriage bolt.....	(12)
8. M10 flanged hex nut.....	(12)

Tools for Installation:

- 13mm socket
- 16mm socket
- Ratchet wrench



DESERT BORN, ROAD READY.™

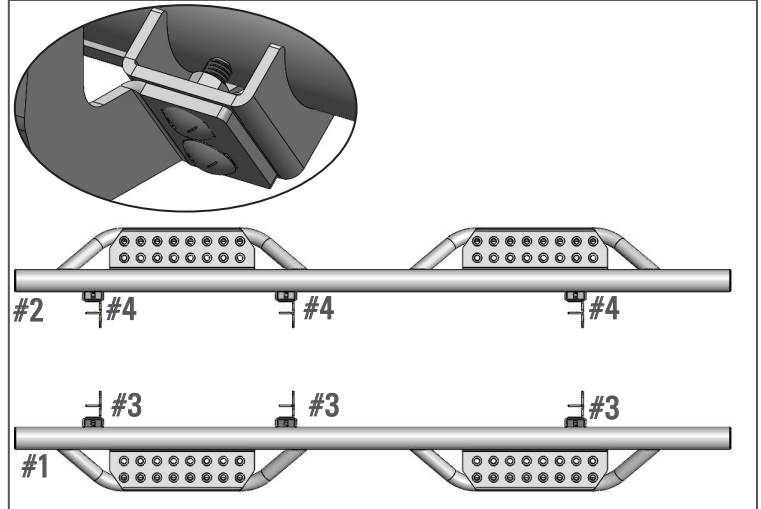
PART# 622417312
2022-C NISSAN FORNTIER CC

NERF STEP RS
INST- 02224

INSTALL

Step 1. Attach (#3)x3 driver side mounting brackets to (#1) Driver side step and loosely fasten.

Step 2. Attach (#4)x3 Passenger side mounting brackets to (#2) passenger side step and loosely fasten.



Step 3. Carefully raise RS step up into position aligning brackets with OE threaded studs and secure with (#5)x6 M8 hex nut and (#6)x6 M8 flat washer and hand tighten for now.

Step 4. After final adjustment, tighten upper mounts to (18-20 ft/lbs).

Step 5. Finish by tightening brackets at the main tube to (30 ft/lbs).

Step 6. Repeat mounting procedures with (#2) passenger side.

