



INSTALLATION INSTRUCTIONS
2006-07 Dodge Dakota
Part # 45-1660, 40-1665

PART LIST

1.	1	Grille Guard Assembly
2.	2	Top Bracket, Passenger and Driver
3.	2	Bottom Bracket, Passenger and Driver
4.	2	Support Brace, Passenger and Driver
5.	4	M10 Flat Washer, Stainless Steel
6.	2	M10 Hex Nut, Stainless Steel
7.	2	M10 Lock Washer, Stainless Steel
8.	2	M10*30 Hex Head Bolt, Stainless Steel
9.	8	M12 Flat Washer, Stainless Steel
10.	8	M12 Flat Washer, Yellow Zinc
11.	4	M12 Hex Nut, Stainless Steel
12.	4	M12 Hex Nut, Yellow Zinc
13.	4	M12 Lock Washer, Stainless Steel
14.	4	M12 Lock Washer, Yellow Zinc
15.	4	M12*35 Hex Head Bolt, Stainless Steel
16.	4	M12*35 Hex Head Bolt, Yellow Zinc

Note: Westin Automotive advises the installer to use a thread lubricant all stainless steel fasteners.

PROCEDURE:

STEP 1. Remove the contents from box and check for damage. Verify all parts are present. Read instructions completely before beginning.

STEP 2. Open hood and attach support braces as shown. **SEE FIGURE 1**

STEP 3. From underneath vehicle, remove the 4 lower nuts holding the bumper frame to the main frame and the 2 body mount bolts, then attach top brackets as shown. **SEE FIGURE 1.**

STEP 4. Attach bottom brackets using Yellow Zinc M12 fasteners as shown. **SEE FIGURE 1.** Leave loose.

STEP 5. Lift Grille Guard up towards vehicle and attach as shown to both lower brackets and support braces. Center and level the Grille Guard. Tighten all fasteners at this time.

STEP 6. Slowly lower hood and check for clearance between the Grille Guard and hood and mount braces and hood. Reposition the Grille Guard if necessary.

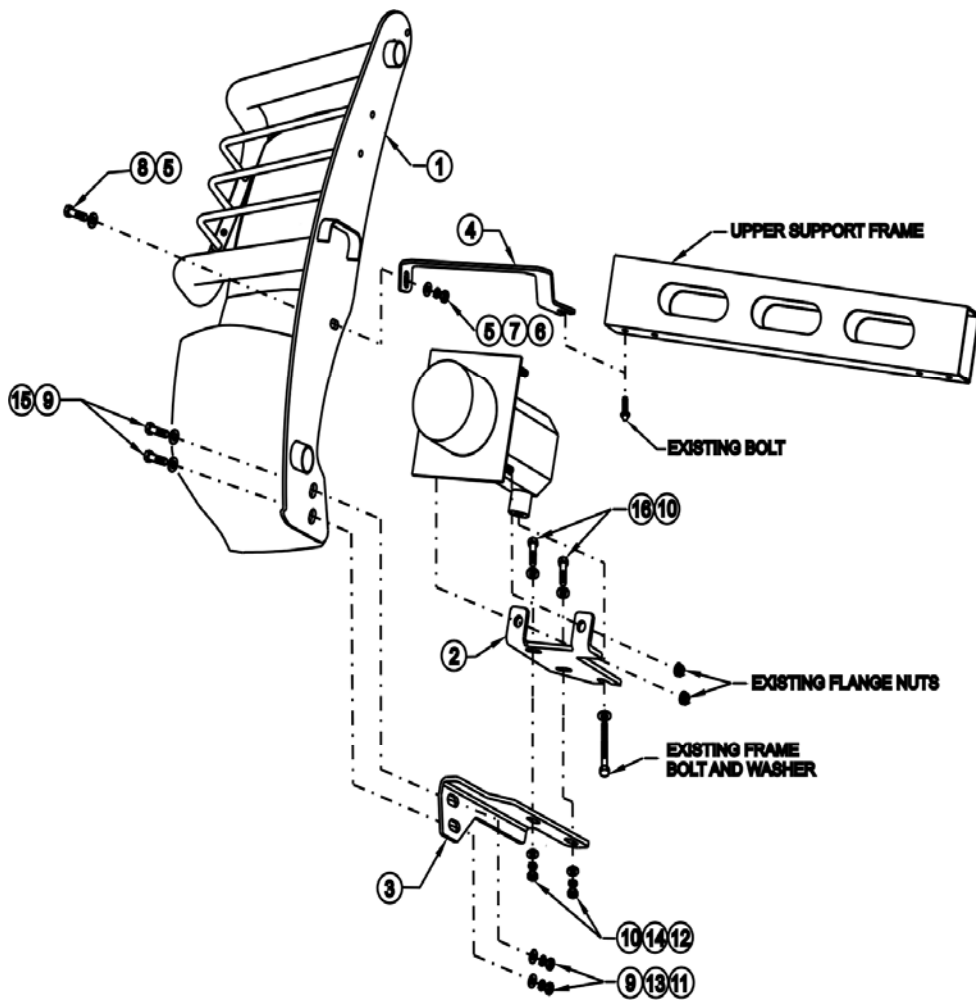


FIGURE 1.
 INSTALLATION VIEW OF PASSENGER SIDE,
 DRIVER SIDE IS OPPOSITE



Westin Automotive Products, Inc.
 5200 N. Irwindale Ave. Suite 220
 Irwindale, Ca. 91706

Thank You for choosing Westin products
 For additional installation assistance please call
 Customer service (800) 793-7846 or (507) 375-3559

Revision C 12/7/07