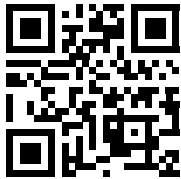

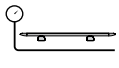
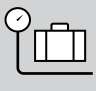



VEHICLE					PIONEER	CONNECTOR	HEIGHT ADDED mm / in	
KIA Telluride Gen 1 Gen 1 Flush Rail 5 dr					62101	SX068	103 / 4	
REGION	AUS	NZ	USA	CA	SA	UK	EU	ZA
AVAILABILITY	x	x	✓	✓	x	x	x	x
RUN DATES	-	-	2020 -	2020 -	-	-	-	-
VEHICLE NOTES	- Sunroof can be operated							

VISIT THE ONLINE CALCULATOR FOR CURRENT SYSTEM LOAD LIMIT DATA

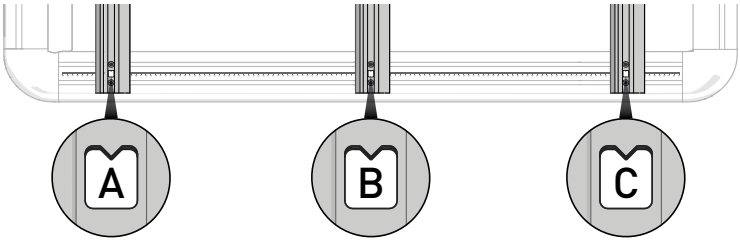


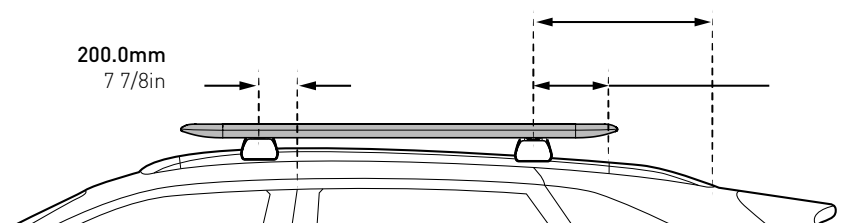
**DYNAMIC ROAD LOAD LIMIT (NOTE: DIFFERENT ON AND OFF ROAD CARGO LIMIT)**  
**\*USE THE VEHICLE MANUFACTURER'S MAXIMUM ROOF ALLOWANCE IF IT IS LOWER THAN THE FIGURE LISTED**

 LOAD LIMIT	 SYSTEM WEIGHT	 ON ROAD CARGO LIMIT	 OFF ROAD CARGO LIMIT (ON ROAD CARGO LIMIT / 1.5)
UP TO <b>75 Kg*</b> <b>165 lbs</b>	UP TO <b>22 Kg</b> <b>48 lbs</b>	UP TO <b>53 Kg</b> <b>117 lbs</b>	UP TO <b>36 Kg</b> <b>78 lbs</b>

**OR**

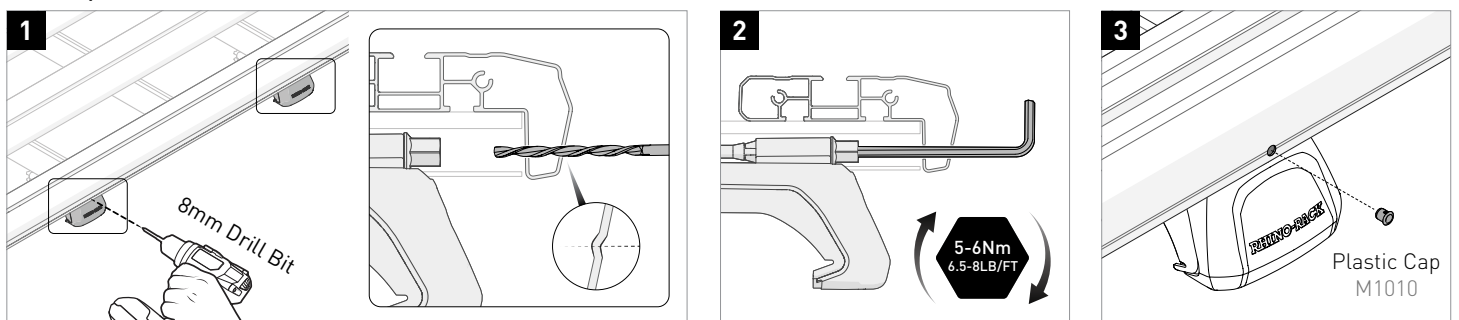
## UNDERBAR SPACING

FRONT								REAR
BAR	A	B	C	D	E	F	G	
DIMENSION (CM)	-57.5	0	57.5					
SPACERS REQ'D								
CONNECTOR	SX		SX					
OUTER UNDERBAR COVER (mm/in)	Refer to Step 11-12 in the Pioneer Series 6 Instructions to trim B and C							
CENTRE UNDERBAR COVER (mm/in)	Refer to Step 11-12 in the Pioneer Series 6 Instructions to trim A							



200.0mm  
7 7/8in

### IF 5-6N/m CANNOT BE OBTAINED



### NOTES FOR DEALERS / FITTERS

It is your responsibility to ensure these fitting instructions are given to the end user or client.

Document No: R3638  
 Issue No: 1  
 Issue Date: 15-Feb-24  
 Page 1 of 1