

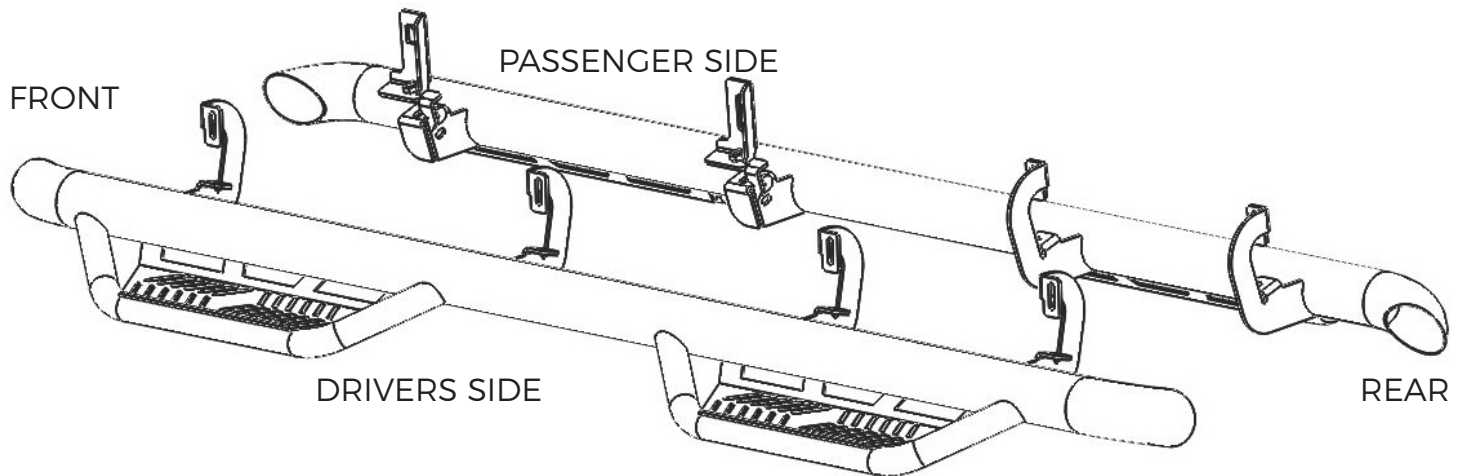


# Installation Instructions: N-Fab Podium Nerf-Steps

HPC17104CC-6-SS /HPC17104CC-6-TX

GM, DIESEL

2017-PRESENT 2500/3500 CREW CAB



### Hardware:

2 - M10 x 1.5 x 30mm Black Hex Bolt

2 - M10 Lock Washers

2 - M10 Flat Washers, Large OD 28mm OD

7 - M8 x 1.25 x 25mm Color Zinc Hex Bolt

7 - M8 Lock Washer, Color Zinc

13 - M8 x 24mm OD Flat Washer, Color Zinc

6 - M8 Nylock Nut, Color Zinc

8 - M8 x 1.25 x 25mm Hex Bolt, Black

10 - M8 x 24mm OD Flat Washer, Black

2 - M8 Nylock Nut, Black

7 - M8 x 20mm U-Nut

### STEP 1:

Identify the driver and passenger bars.

Drivers side has four one piece brackets and, passenger side front two brackets are two piece, the rear two are one piece.



### STEP 2:

Each mounting bracket consist of 2 mounting holes. The upper large hole mounts to the body of the truck and the lower smaller hole to the pitch weld.



### STEP 3:

Insert spring loaded U nuts to the body of the truck.



### STEP 4 (Drivers Side):

Carefully place HS2 step into place. Use bolt, washer and begin hand tightening all 4 upper mountings. Best to have a assistant to lift and hold board in place.



N-FAB Inc.

281-880-6322 | 866-806-6322 (Toll Free) | info@n-fab.com | www.n-fab.com

**STEP 5** (Drivers Side): Insert black head bolt and washer through pinch weld hole and secure with locking nut and washer.



**STEP 6** (Drivers Side): **Avoid using power or air tools.** Tighten pinch weld mounts first then upper bolts. Tighten to 20ft lbs torque to secure the board to the truck.



**STEP 7** (Passenger Side): Remove plastic shield from DEF tank on passenger side of the truck.



**STEP 8** (Passenger Side): First bracket has a tab that locates in the OE body mount hole.



**STEP 9** (Passenger Side): Take bracket and feed between the body and the DEF tank, feel and move until you locate the tab into the OE hole. The bracket will hang once placed correctly.



**STEP 10** (Passenger Side): The second bracket attaches to the body with a bolt rather than the tab like the first bracket.



**STEP 11** (Passenger Side): Take bracket and feed between the body and the DEF tank from the back of the tank. You'll be able to fit and hand tighten bolt through the bracket to the body.



**STEP 12** (Passenger Side): Carefully place passenger side step into place. Use bolt, washer and begin hand tightening both upper mountings and pinch weld mounting to the rear two brackets. Best to have an assistant to lift and hold board in place.



**STEP 13** (Passenger Side): Use 13mm bolt to align 2 piece bracket to the board, insert at the side and hand tighten. Apply to both first and second bracket.



**STEP 14** (Passenger Side): Insert bolt and washer going up through board, truck pinch weld and through the 2 piece bracket.



**STEP 15** (Passenger Side): Snug hardware for the first and second bracket. Tighten the bolt going up through the pinch weld first to pull the board into place. Then tightening both side bolts.



**STEP 16** (Passenger Side): **Avoid using power or air tools.** Tighten pinch weld mounts first then upper bolts. Tighten all hardware to 20ft lbs torque to secure the board to the truck.