



n-fab.com

TRUCK HERO
company
nfabinc f t

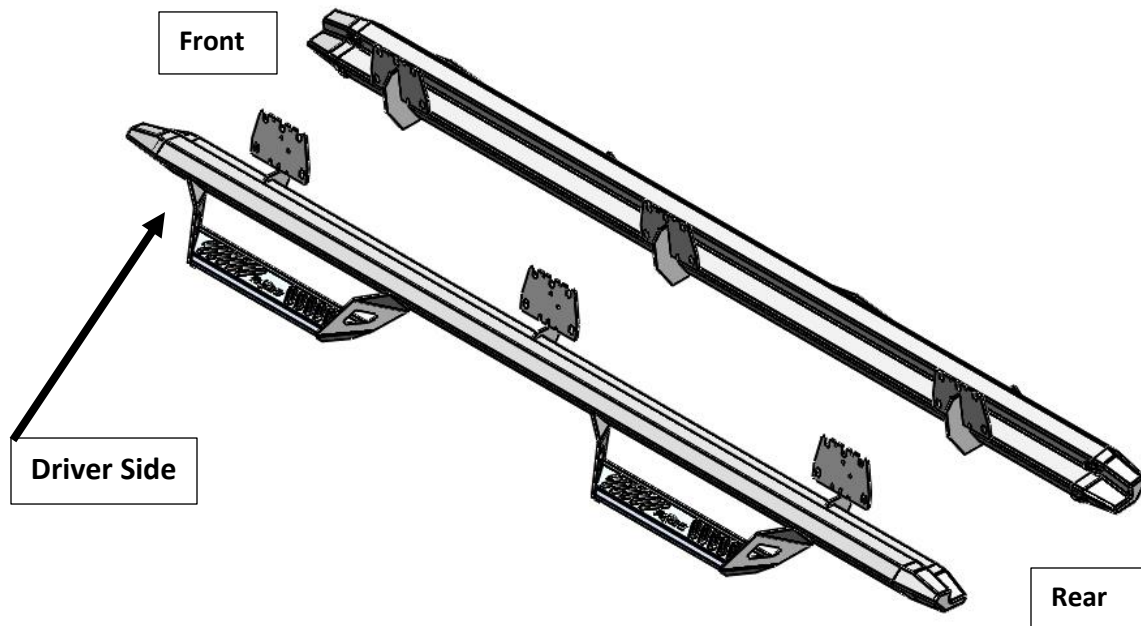
PART NUMBER: PRD1977CC-TX
PRODUCT: ALUMINUM HOOP STEP
APPLICATION: 2019-C RAM 1500 CREW CAB

PREDATOR PRO



HARDWARE DESCRIPTION	QTY.
Kit # HWKT-00031X	
M8-1.25 HX FLANGED NUT	18

Step 1: Identify Driver and Passenger side Nerf-step.



Step 2: Starting with the driver side, remove any steps and old hardware from the vehicle.



Step 3: On the inside rocker panel there will be three-attachment point consisting of three 8mm studs coming out from the panel. These studs may be covered in paint and will need to be cleaned before the installation.



Step 4: Carefully install the Predator Pro step to the three factory attachment points using the provided M8 flanged hex nuts. Leave finger tight for now.





PART NUMBER: **PRD1977CC-TX**
PRODUCT: **ALUMINUM HOOP STEP**
APPLICATION: **2019-C RAM 1500 CREW CAB**

Step 5: Next, adjust the step up snug and parallel with the cab of the vehicle and tighten all rocker panel brackets to 30 ft/Lbs. *DO NOT USE POWER TOOLS.*



Step 6: Re-peat steps 3-5 with passenger side. This will complete your install.