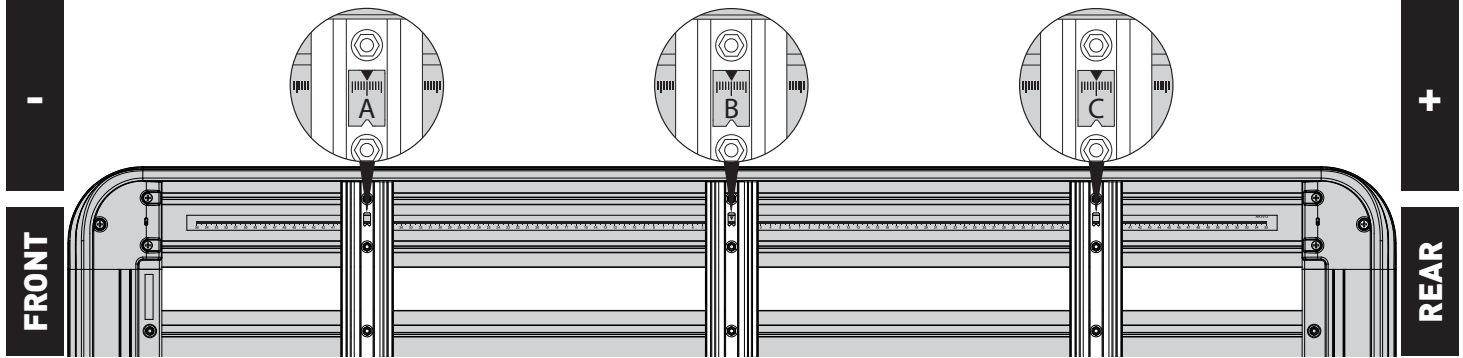


VEHICLE	PIONEER SIZE	CONNECTOR	HEIGHT ADDED (mm / in)
MITSUBISHI ASX XA/XB/XC 4WD/SUV Flush Rail 5 dr	52110	SX031	125.0 / 4.9

IMPORTANT NOTES Mount SX031 legs into roof rail points closest to the rear of vehicle (front and rear of platform). Do not operate sunroof -

REGION	AUS	NZ	USA	CA	SA	UK	EU	ZA
AVAILABILITY	✓	✓	x	x	x	✓	✓	x
RUNNING DATES	09/13 -	09/13 -	-	-	-	2013 -	2013 -	-

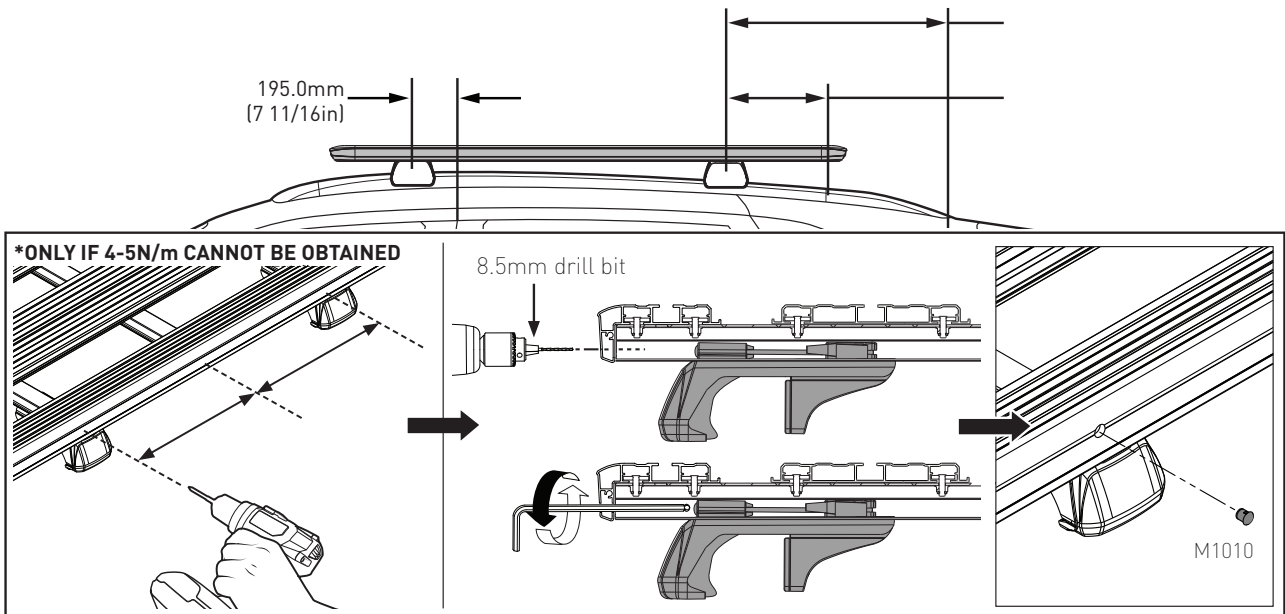
UNDERBAR SPACING



BAR NO.	A	B	C	D	E	F	G
DIMENSION (CM)	-28.9	6.4	41.9				
SPACERS REQ'D							
CONNECTOR	SX031		SX031				

VEHICLE LOAD LIMIT (VLL) (kg / lbs)	SYSTEM WEIGHT (SW) (kg / lbs)	ON-ROAD CARGO ALLOW. (OR)	OFF-ROAD CARGO ALLOW. (OFR)
Up to 50 / 110.2 *	21 / 46.3	OR = VLL - SW	OFR = OR / 1.5

***CHECK YOUR VEHICLE OWNERS HAND BOOK FOR VEHICLE MAXIMUM CARRYING CAPACITY. PLEASE ENSURE YOU USE THE VEHICLE MANUFACTURERS MAXIMUM ROOF ALLOWANCE IF IT IS LOWER THAN THE FIGURE LISTED IN THIS INSTRUCTION.**



NOTES FOR DEALERS / FITTERS
 It is your responsibility to ensure these fitting instructions are given to the end user or client.

Document No: R2557
 Issue No: 1
 Issue Date: 29-Jun-20
 These instructions remain the property of Rhino-Rack Australia Pty. Ltd. and may not be used or changed for any other purpose than intended.