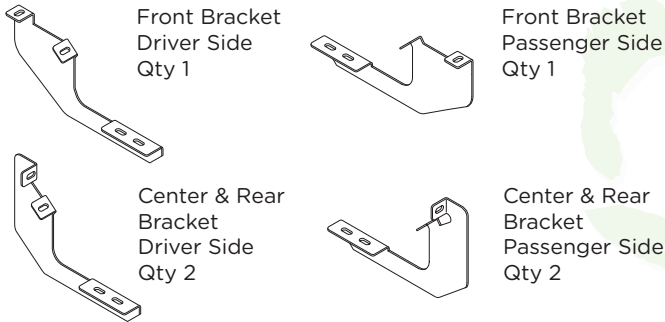


RB-0302-BK

# SLIDE TRACK BRACKET KIT



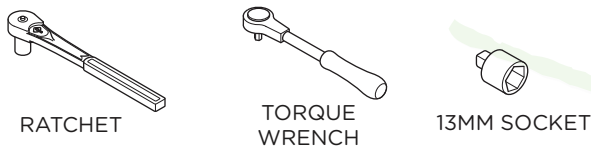
### Components:



### Hardware:



### Tools Required:



### Torque Specifications:

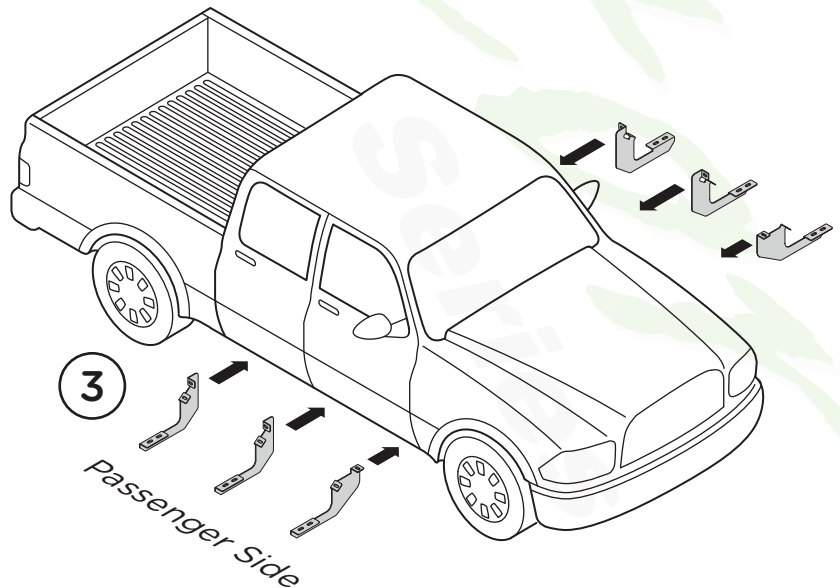
For Rocker Panel Mount Installations  
M8 through M12 bolts and nuts are set to 15-20 ft lbs.

**Note:** When installing the brackets and boards all hardware must be left loose until all the items are attached.

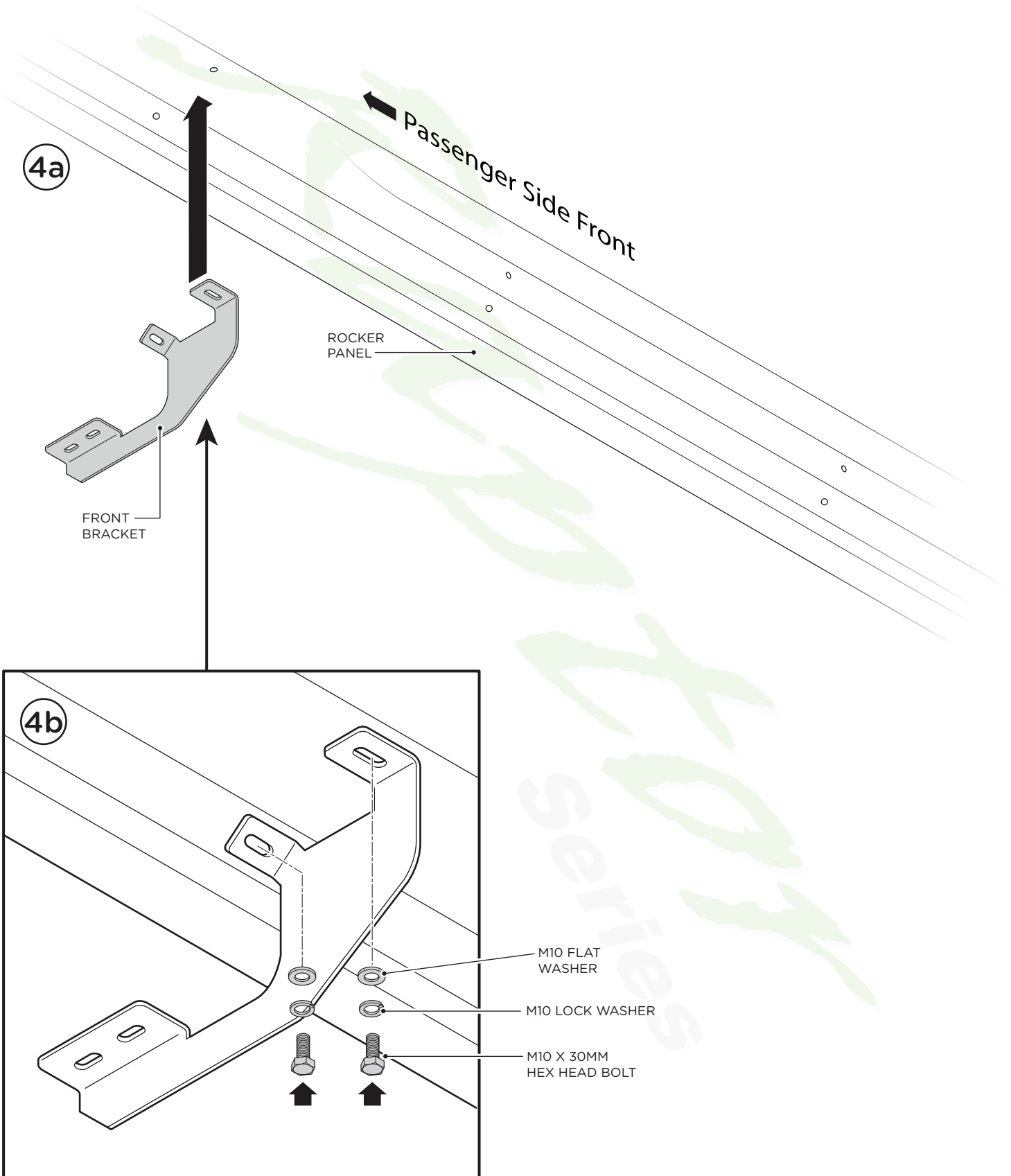
**1.** Remove all contents from the package and check running boards for any damage. Also, verify that all components and hardware listed above are included before you begin installation.

**2.** Read installation manual and installation drawing completely. Understand all brackets and bolts before installation.

**3.** Begin installation on the passenger side. Align **Brackets** as shown.



4. Install the Front Passenger Side Bracket closest to the front wheel. Align with existing factory holes in the rocker panel as shown (4a), Secure the Front Passenger Side Bracket using two (2) M10 x 30mm Hex Bolts, two (2) M10 Lock Washers and two (2) M10 Flat Washers (4b).



5. Position the Center and Rear Passenger Side Brackets as shown (5a) and secure using two (2) M10 x 30mm Hex Bolts, two (2) M10 Lock Washers and two (2) M10 Flat Washers per Bracket (5b).

6. Repeat these steps for driver side installation. When all hardware is in place, everything must be tightened. See page 1 for torque specifications.

