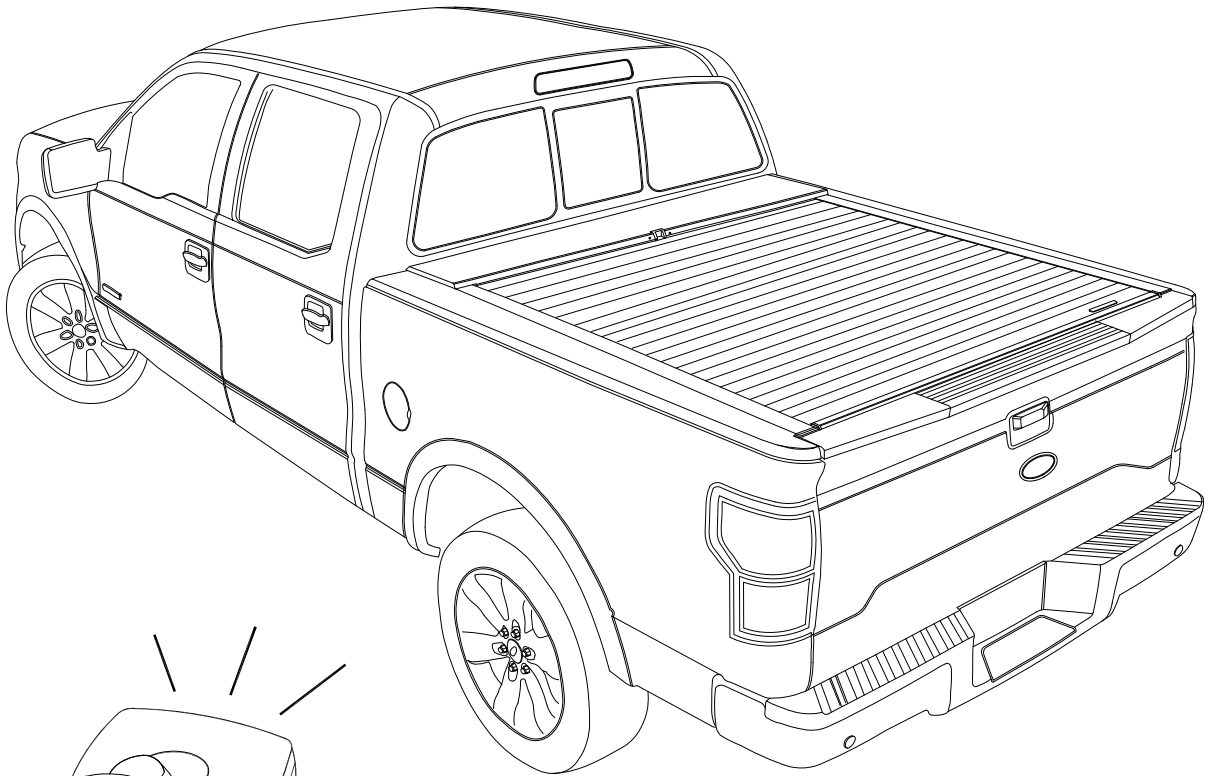




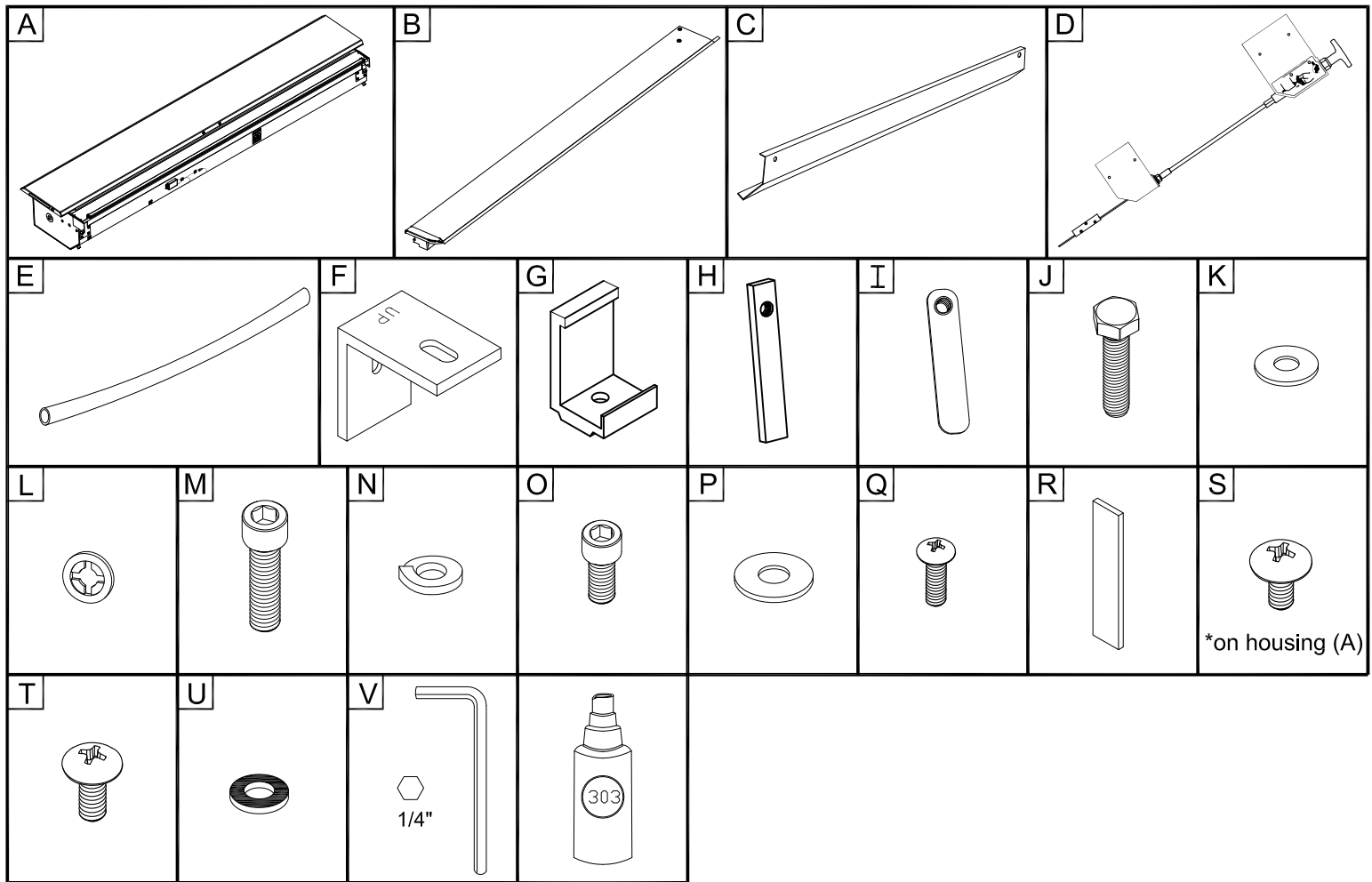
# E Series Installation Guide Ford Super Duty



Product Code:  
RC151E

# Parts List

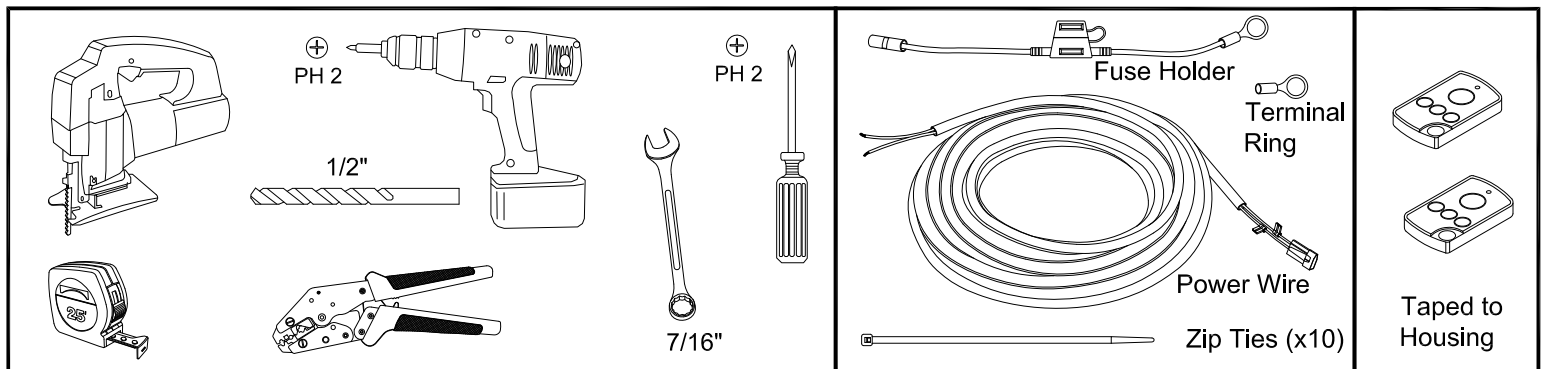
Item	Part Name	Qty.	Item	Part Name	Qty.	Item	Part Name	Qty.
A	Housing	1	I	Cargo Nut	6	Q	#10-24 Screw	6
B	Track	2	J	1/4-20 x 1" Bolt	2	R	Shim	2
C	Cargo Shield	1	K	1/4" Flat Washer	2	S	1/4" Lid Screw	2
D	Override Cable	1	L	Nylon Retaining Washer	2	T	1/4-20 x 3/8" Screw	4
E	Drain Tube	2	M	5/16" x 1 1/4" Cap Screw	4	U	Rubber Washer	4
F	Track Angle	2	N	5/16" Lock Washer	6/8	V	Allen Wrench (1/4")	1
G	Bed Clamp	4	O	5/16" x 3/4" Cap Screw	2		303 Vinyl Protector	1
H	Threaded Tang	2	P	5/16" Flat Washer	2			



## Tools Needed

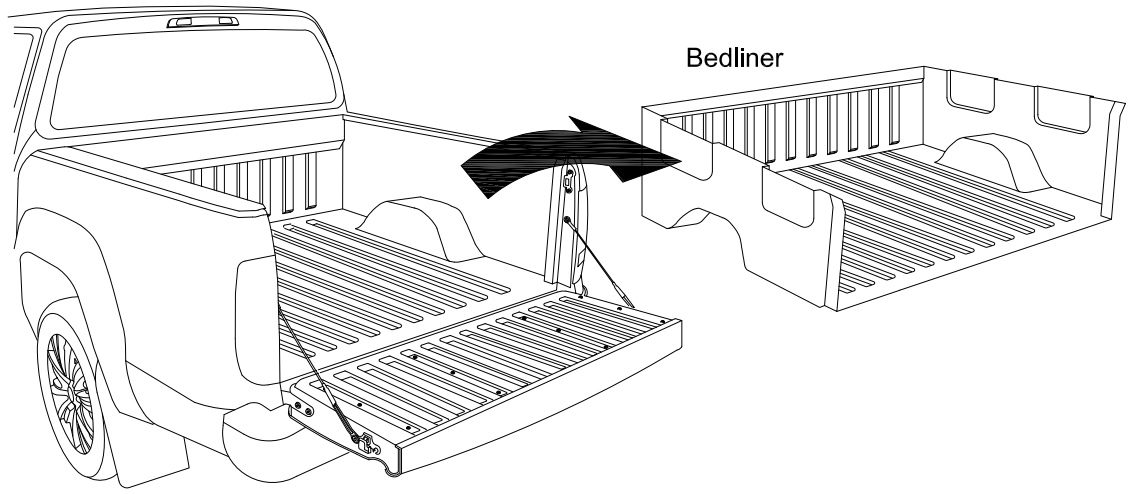
## Power Wire / Connectors

## Remotes

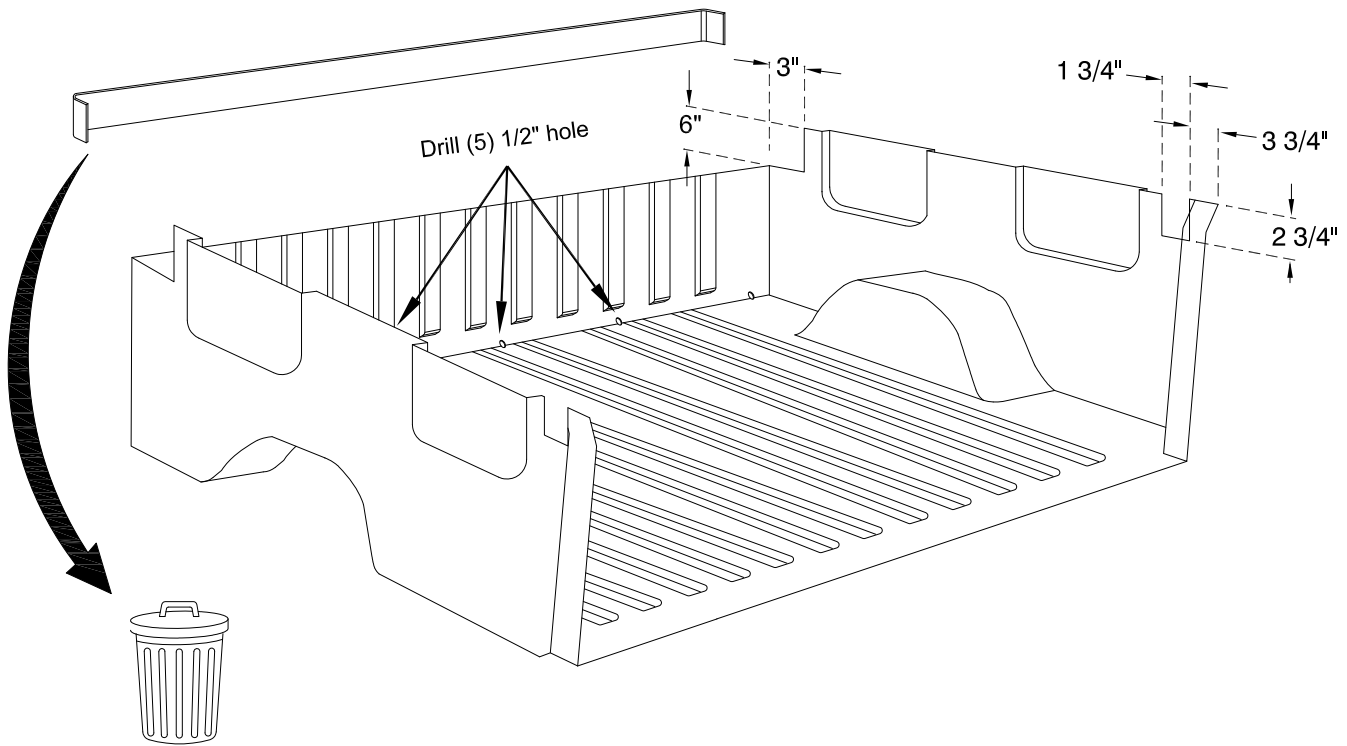
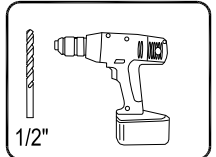
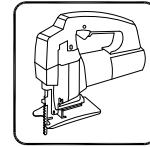


1a

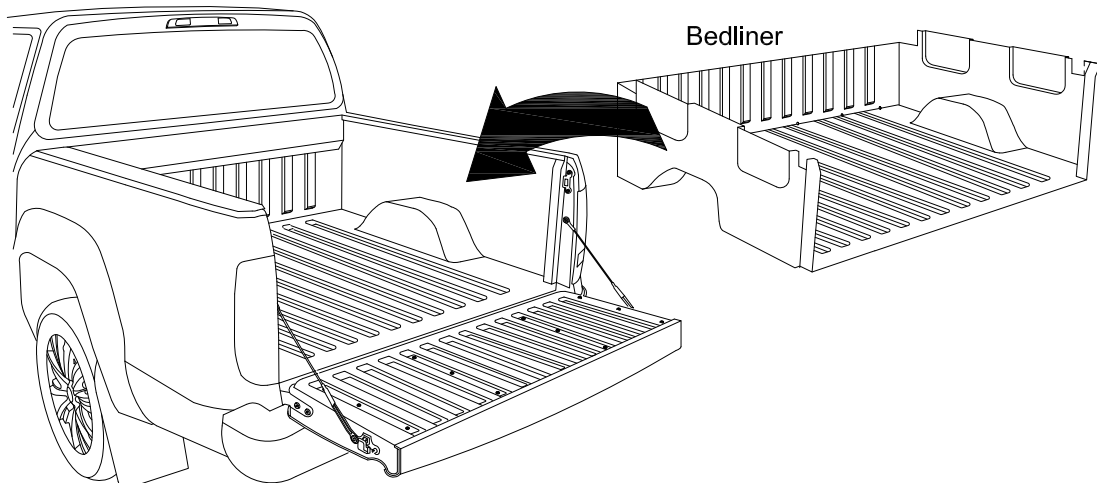
If no plastic bedliner present proceed to page 4 - Step 1



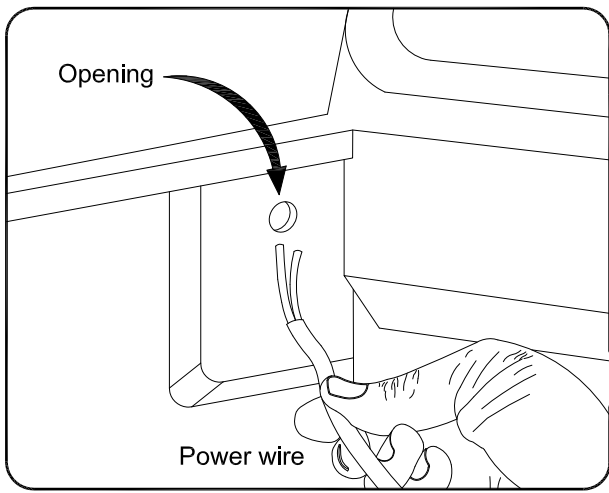
1b LHS = RHS



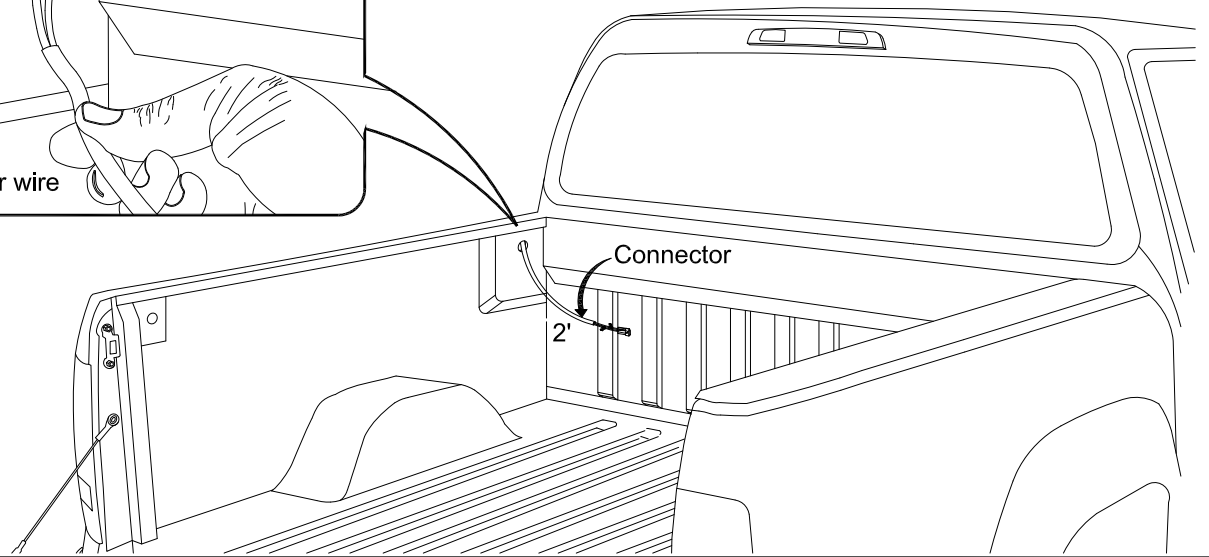
1c



1

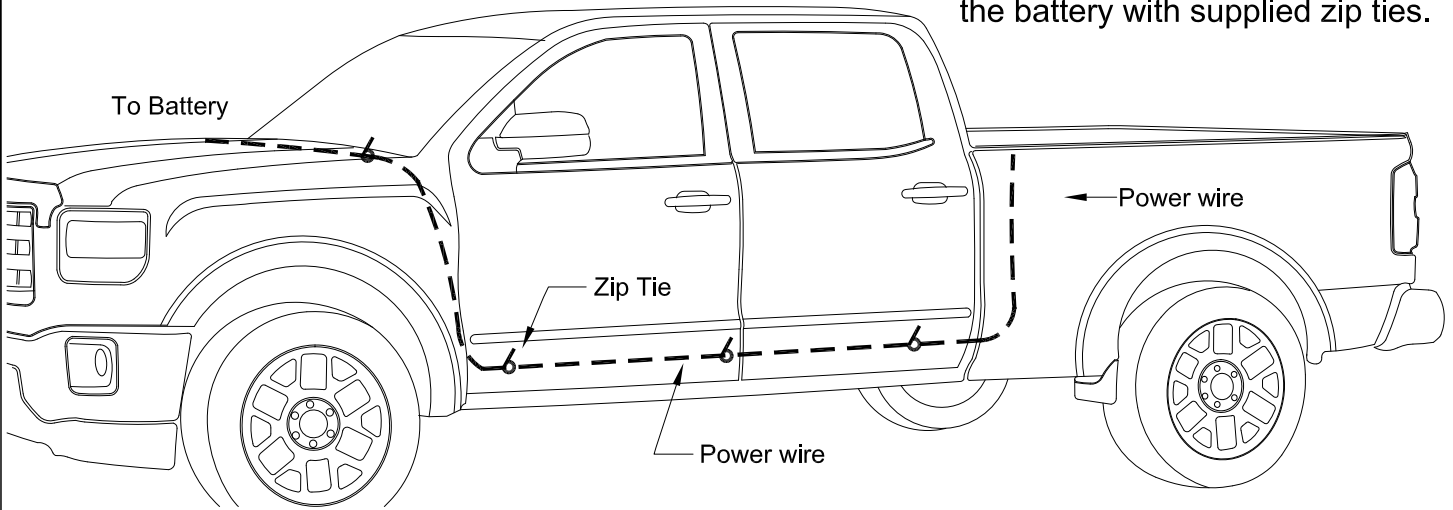


Feed end of power wire through the hole on the drivers side of truck, then down through the side panel to the ground.  
Leave 2 feet of power wire in the truck bed.



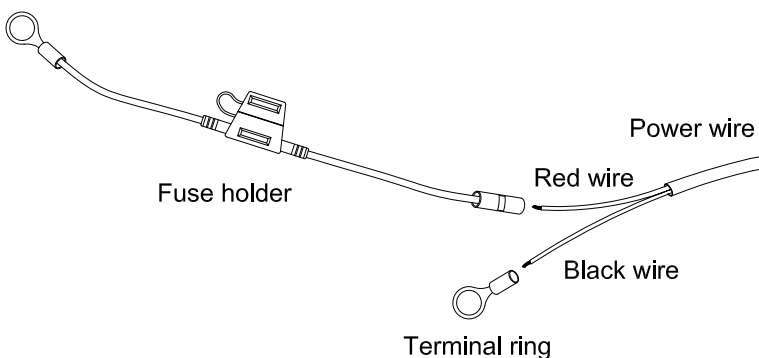
2

Feed power wire under the truck securing to an existing wire harness leading to the battery with supplied zip ties.

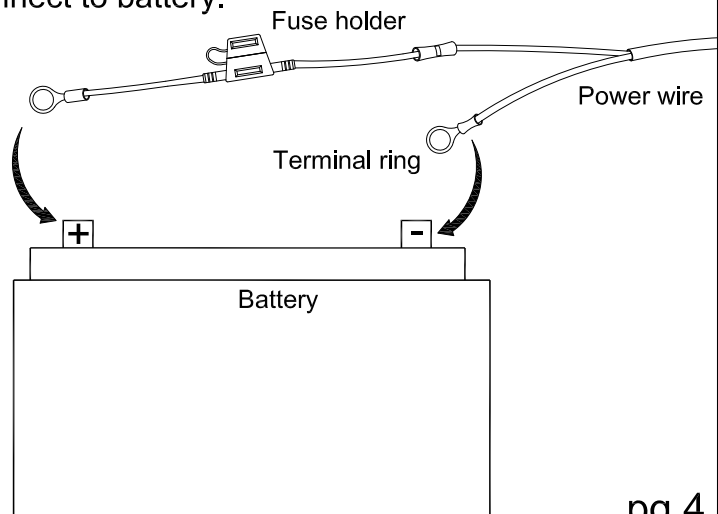


3

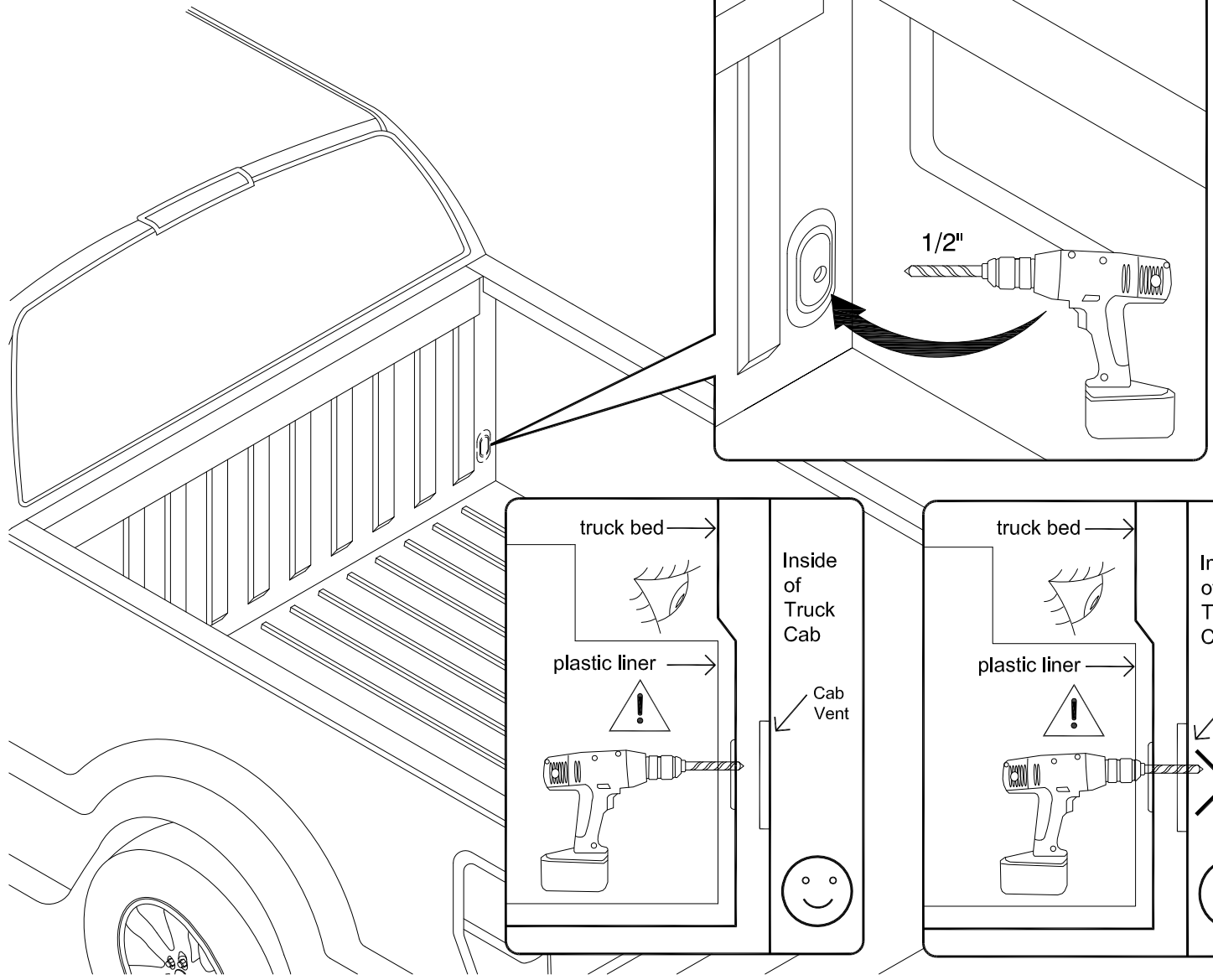
Crimp the fuse holder to the RED wire and the terminal ring to the Black wire.



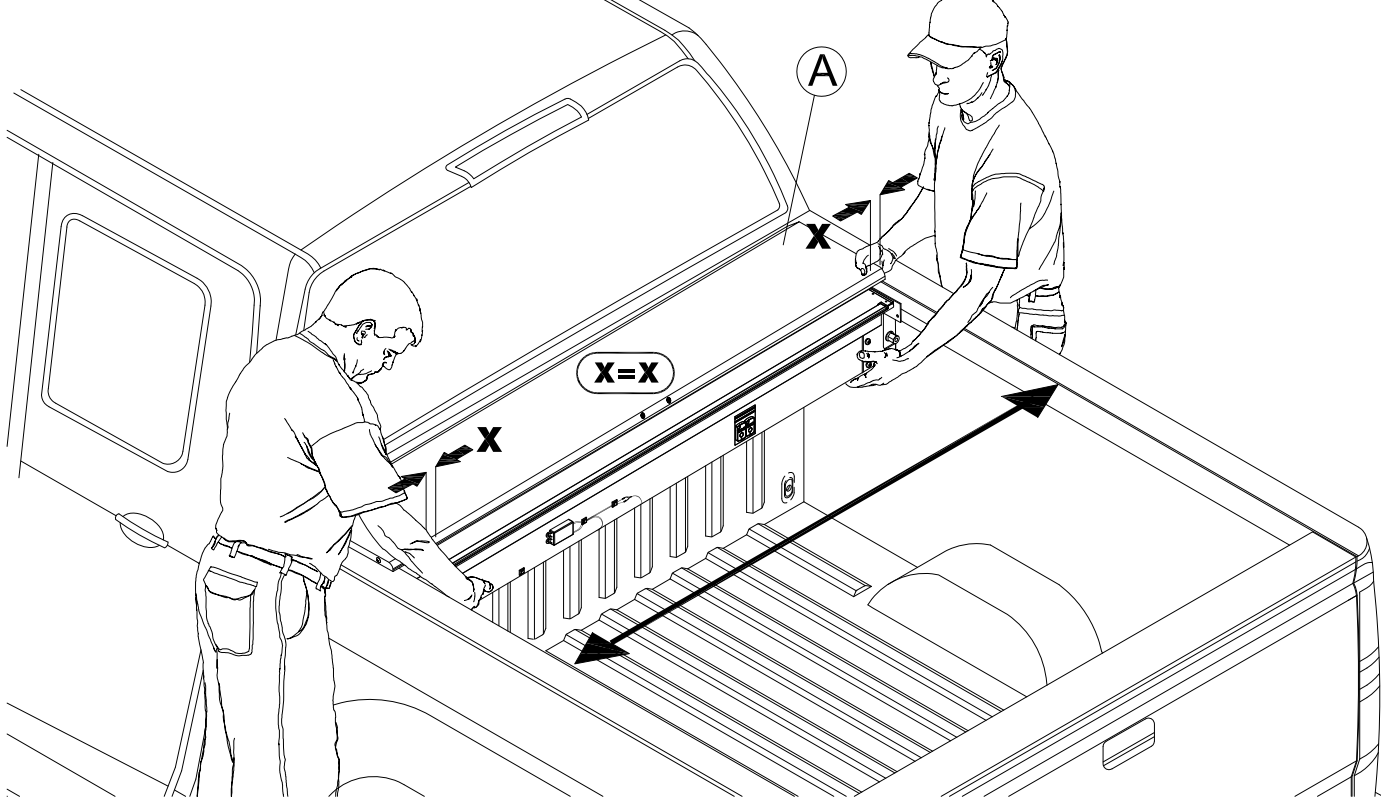
Connect to battery.



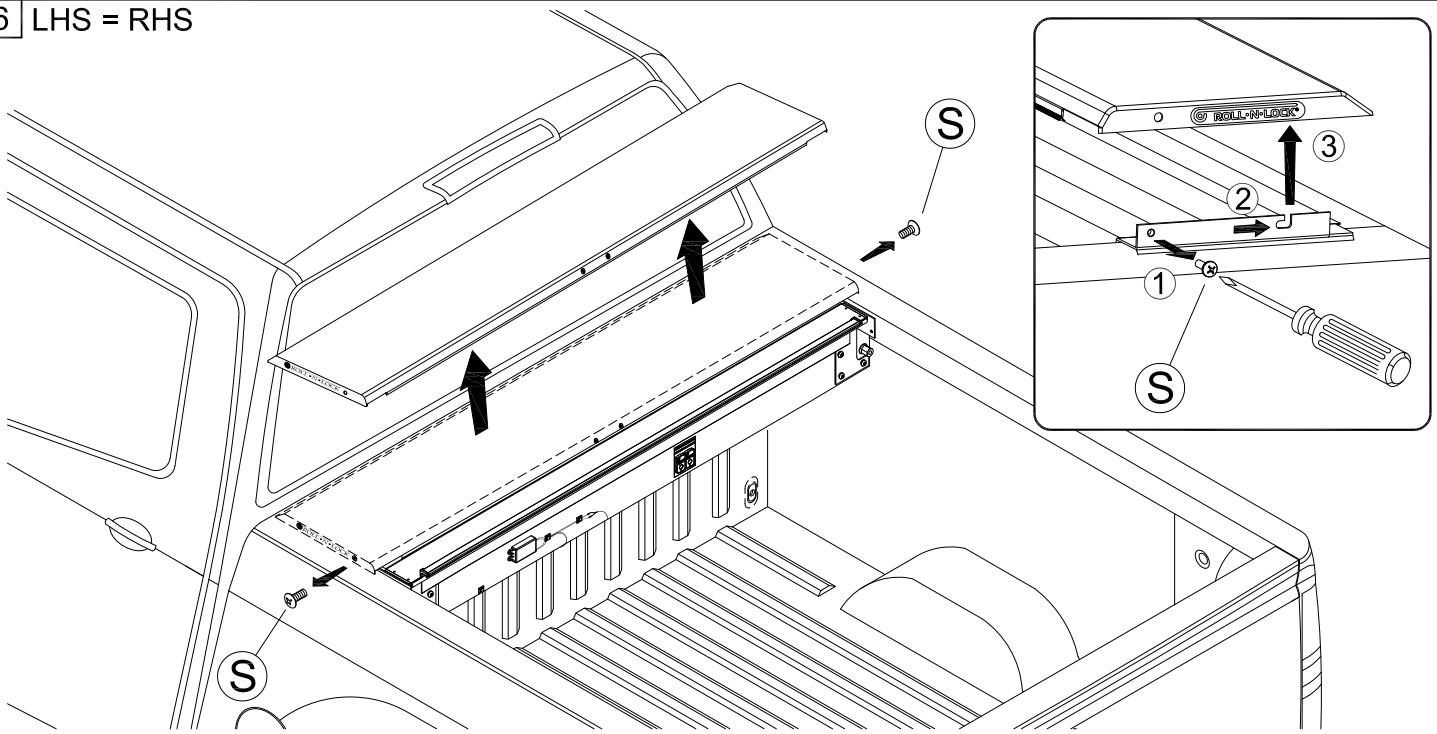
4 LHS = RHS



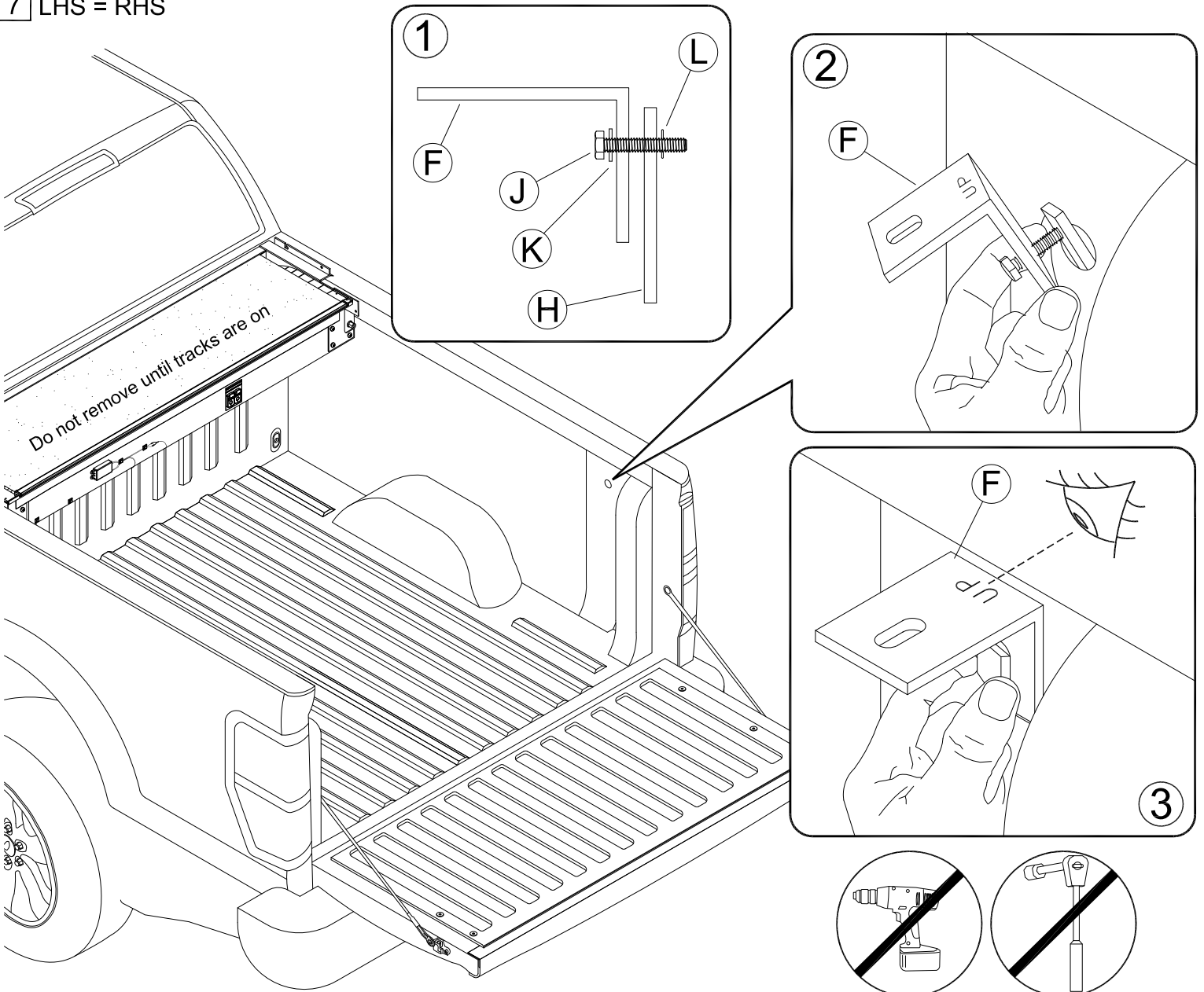
5 LHS = RHS



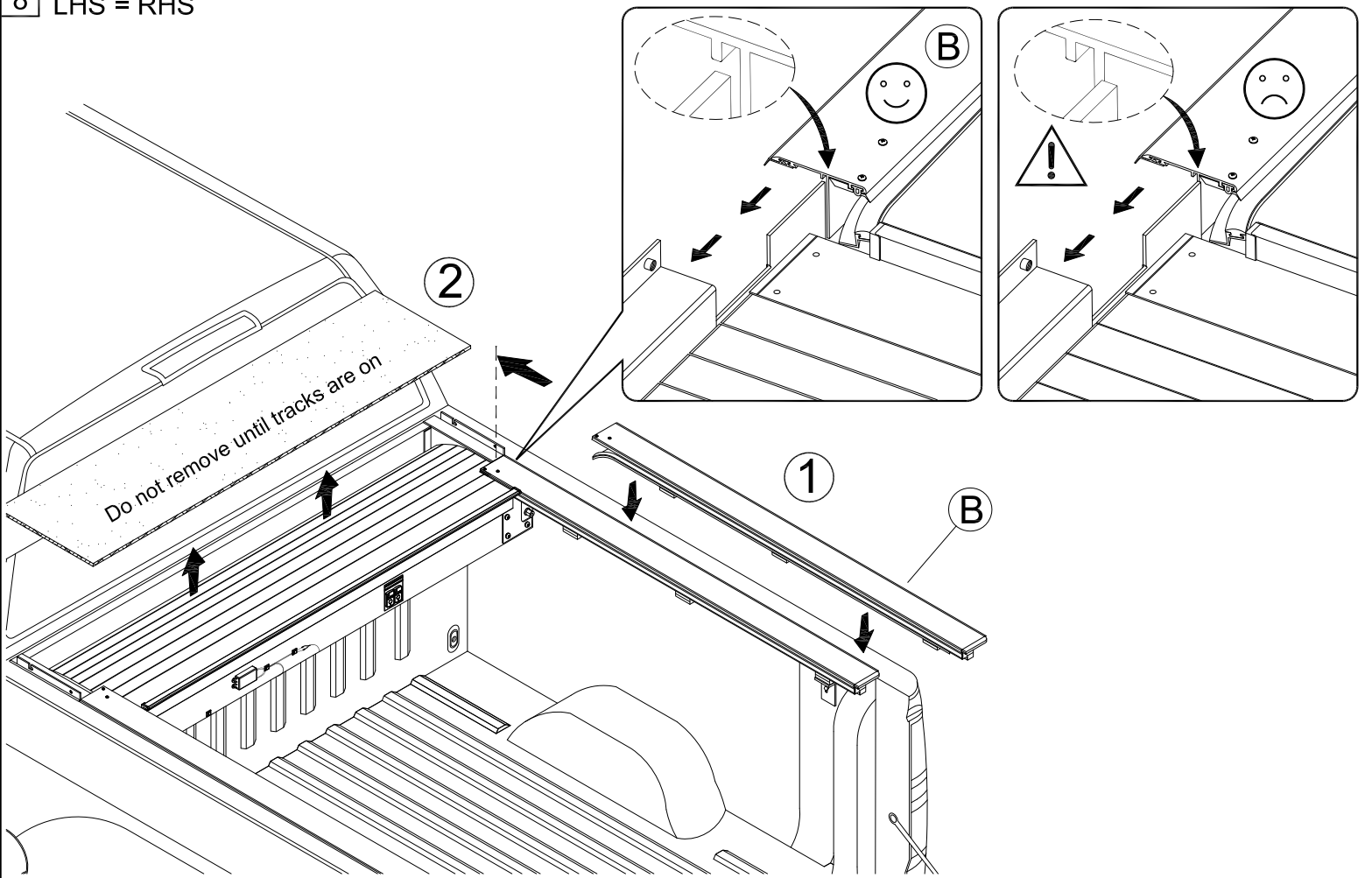
6 LHS = RHS



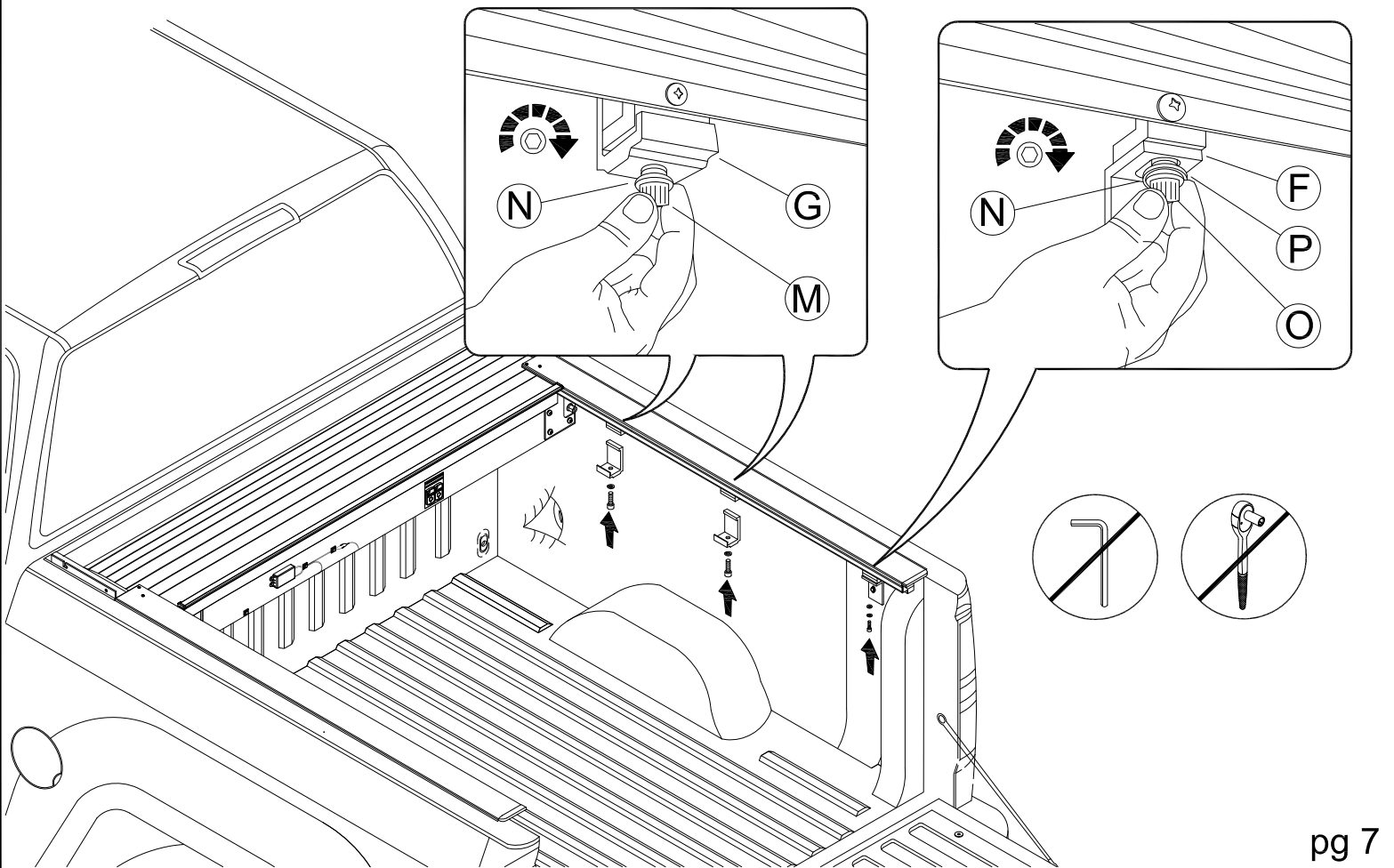
7 LHS = RHS



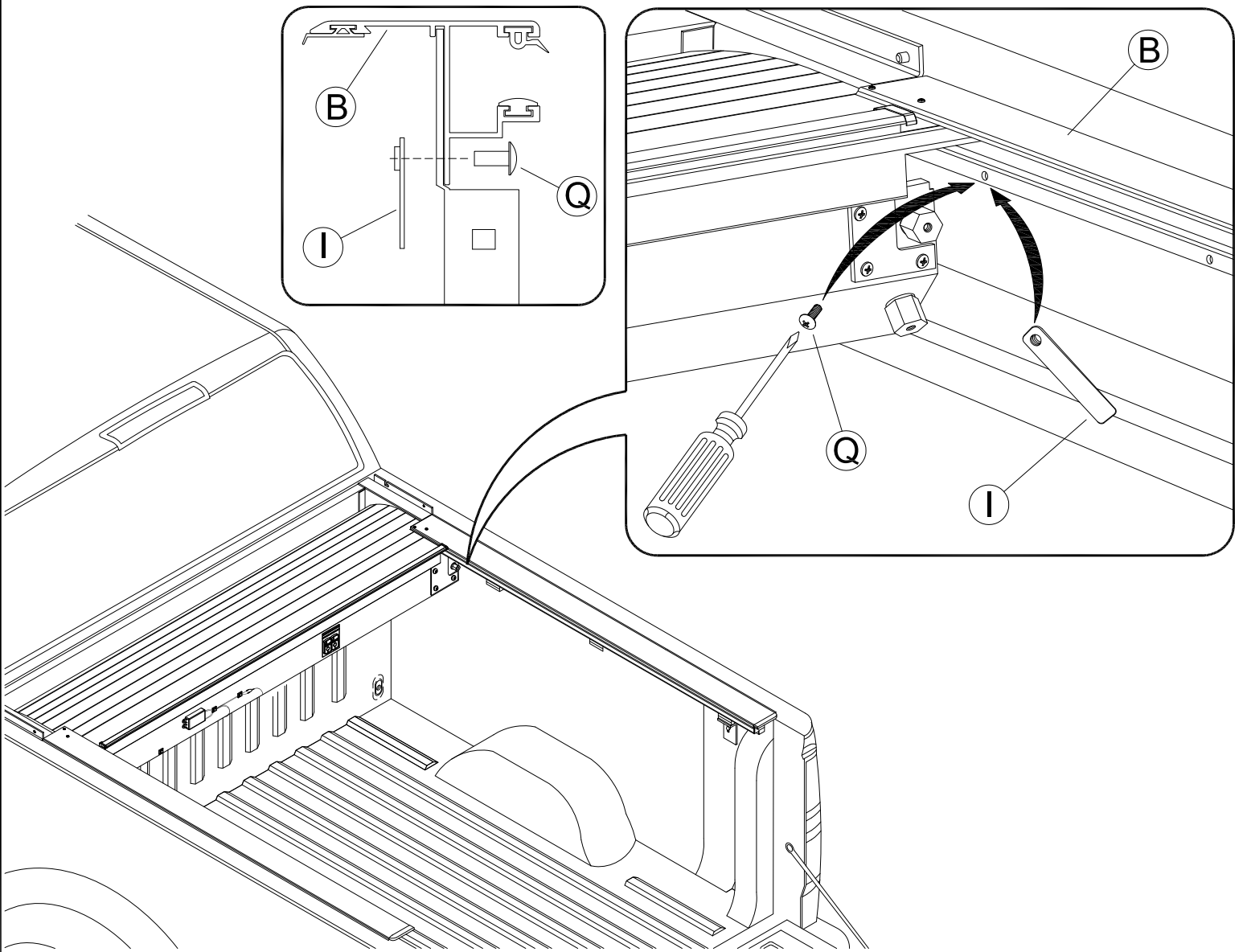
8 LHS = RHS



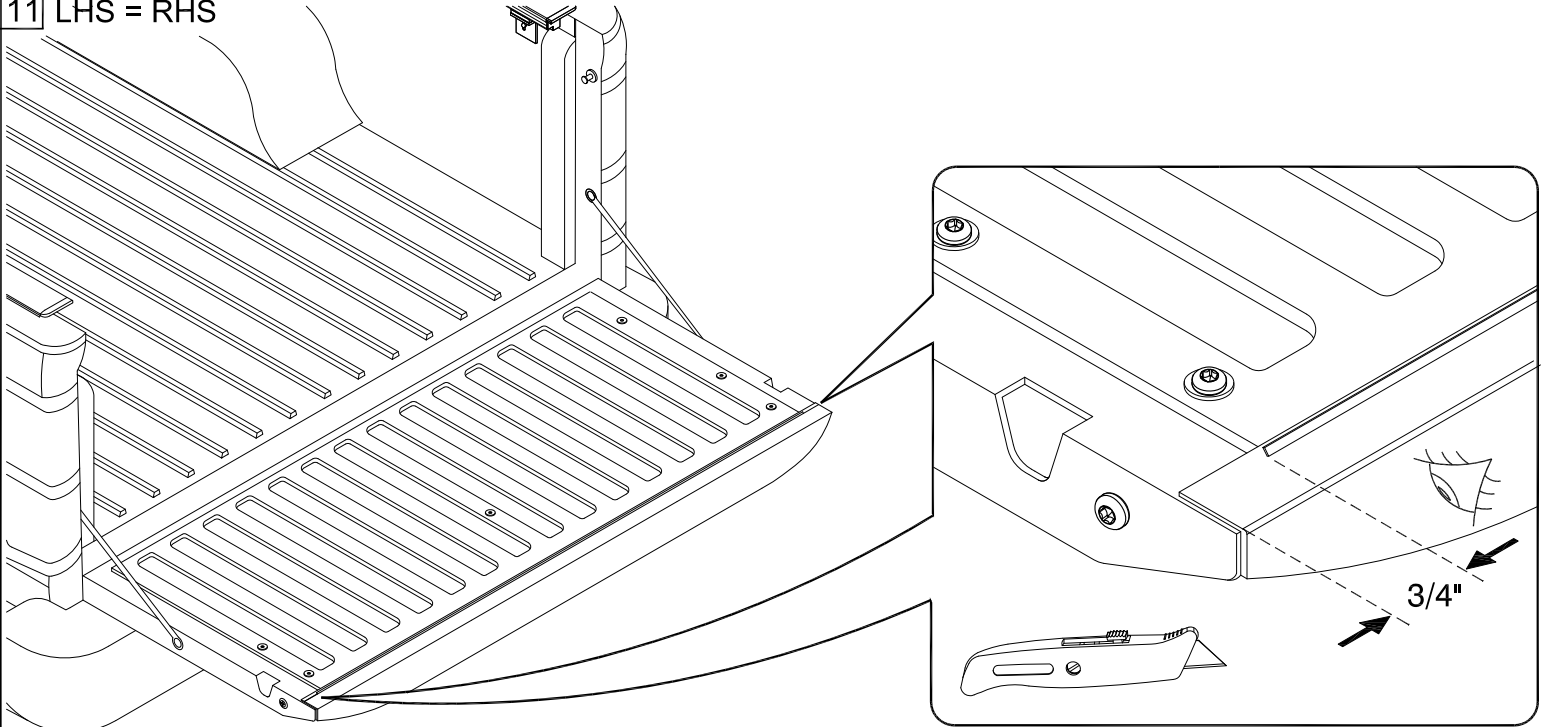
9 LHS = RHS



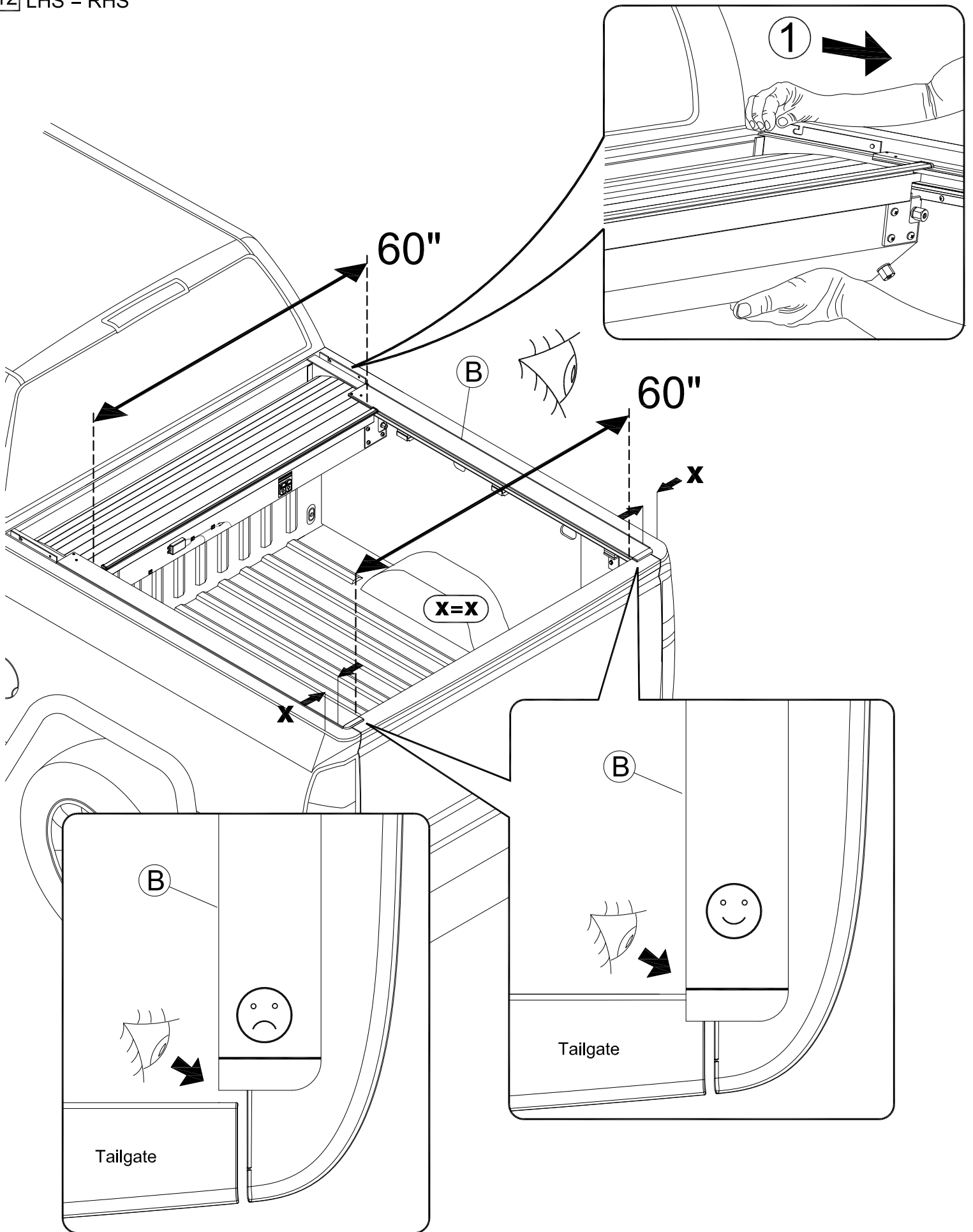
10 LHS = RHS



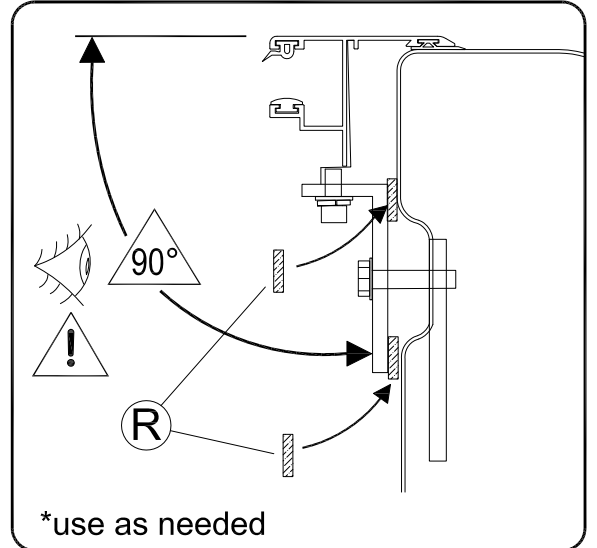
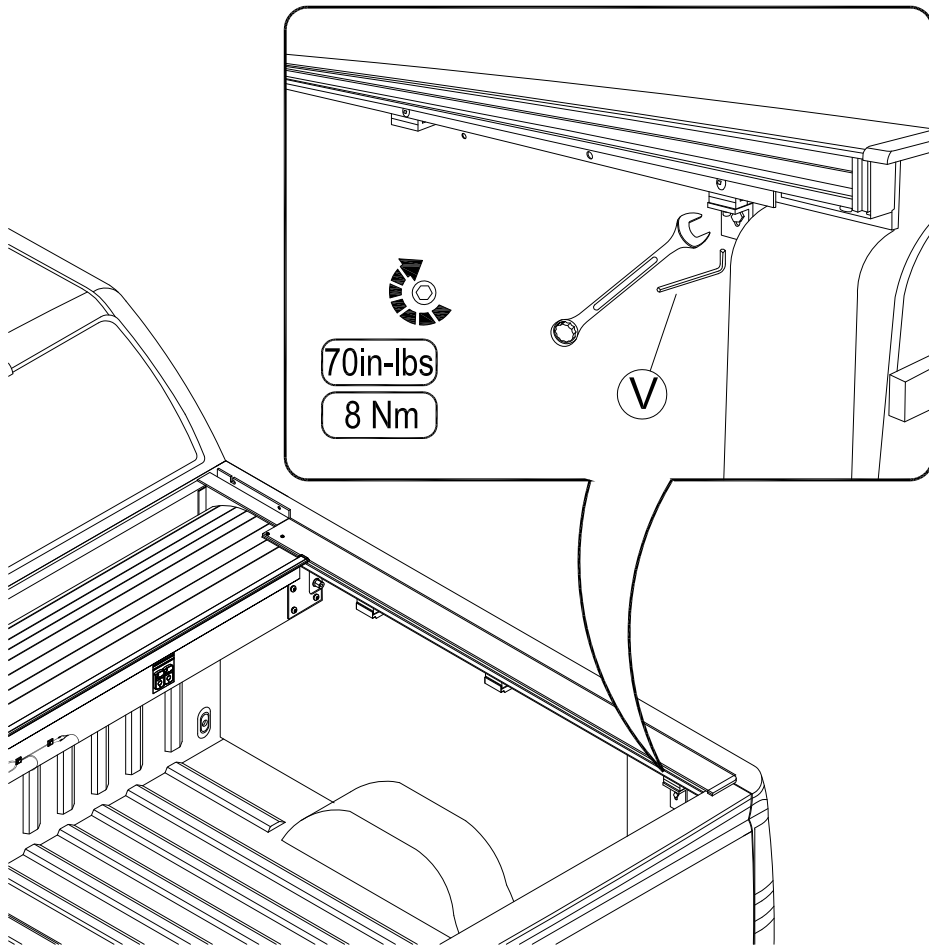
11 LHS = RHS



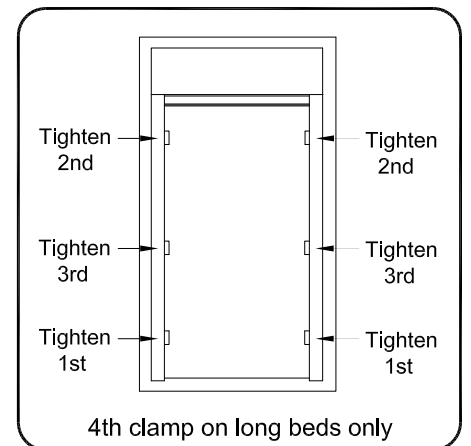
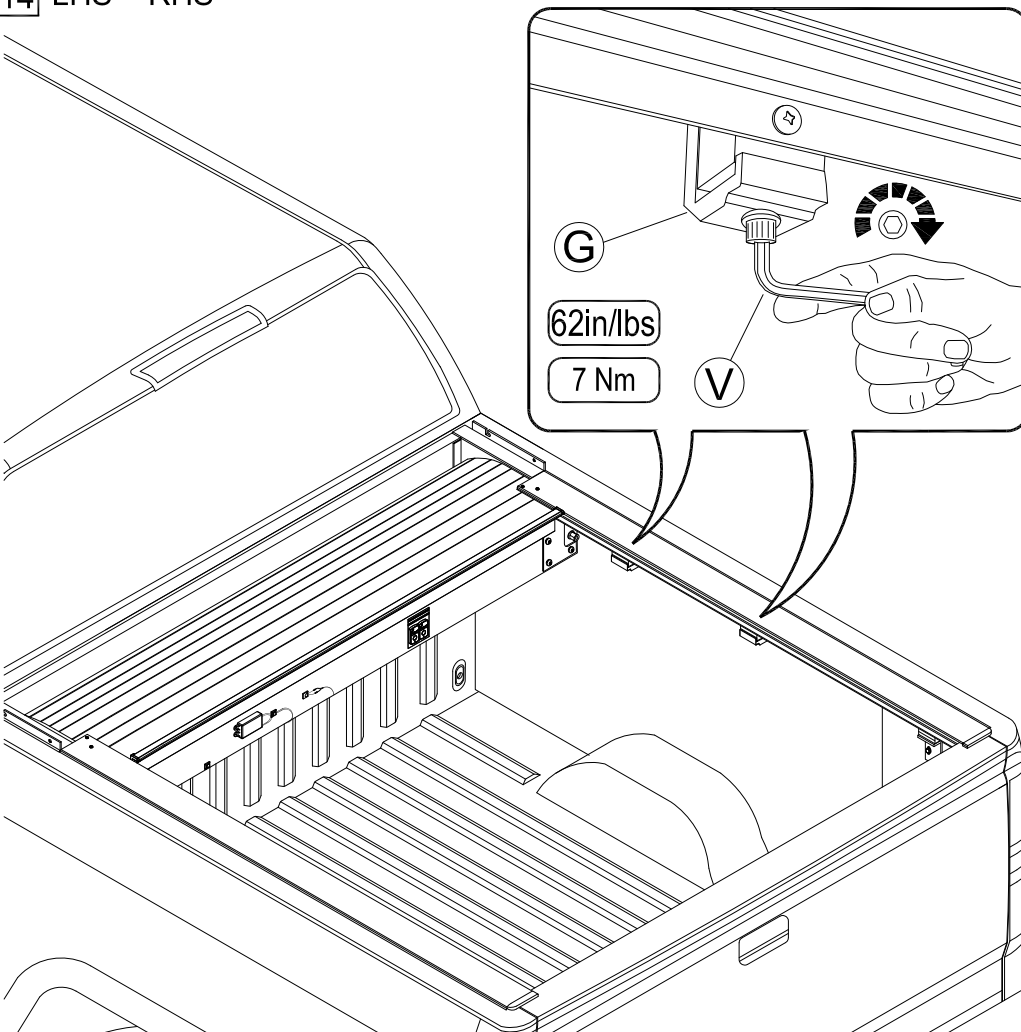




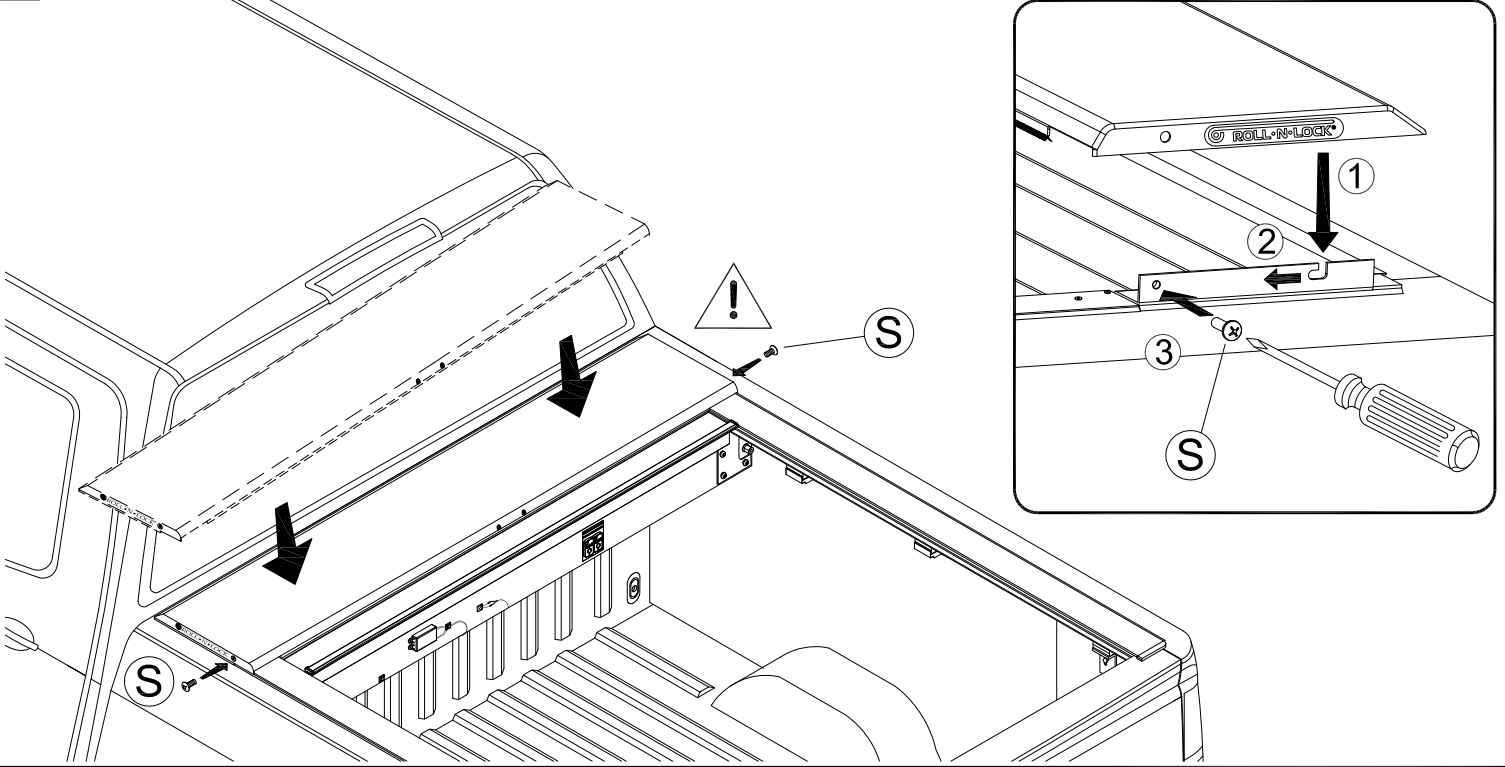
13 LHS = RHS



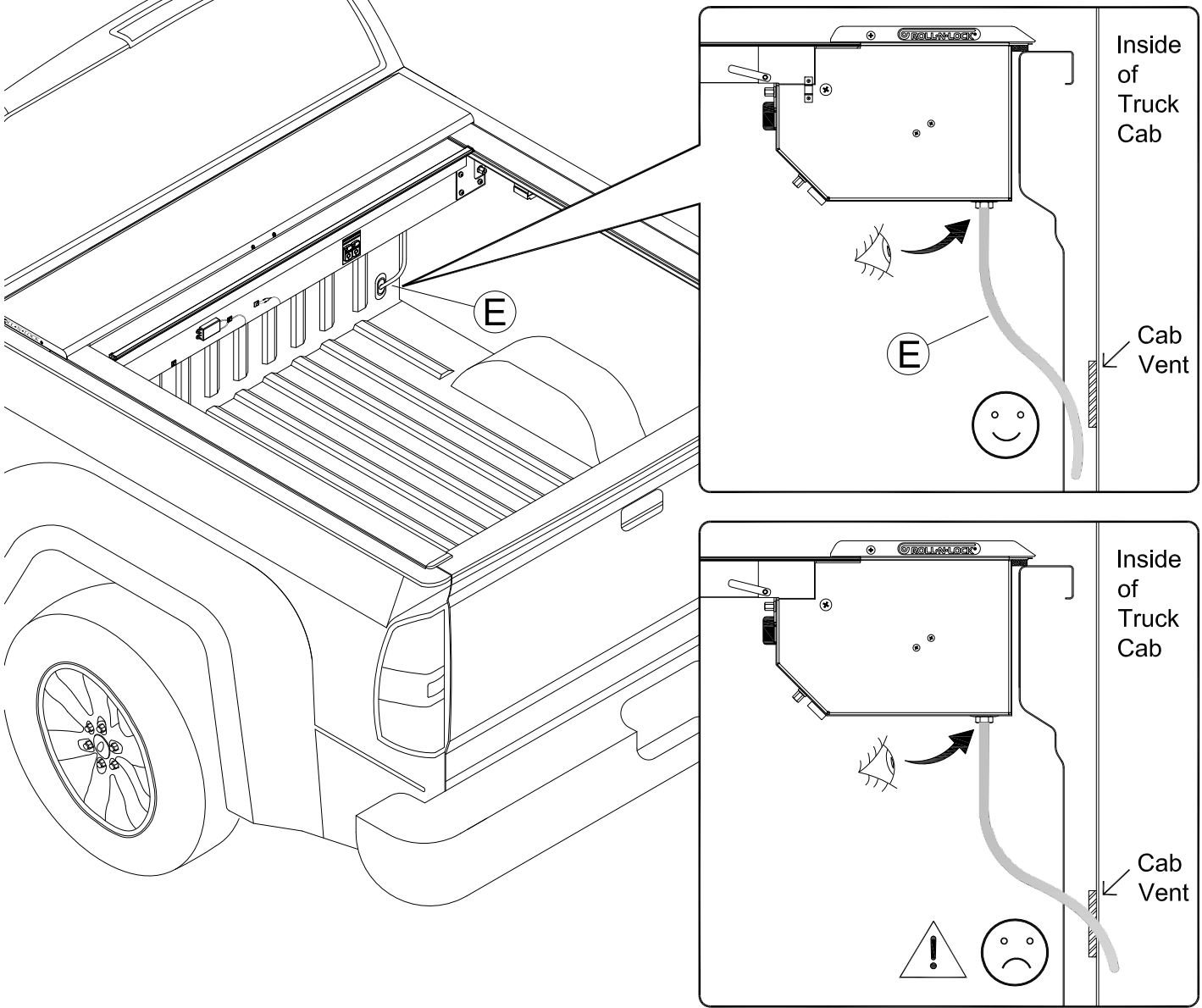
14 LHS = RHS



15 LHS = RHS



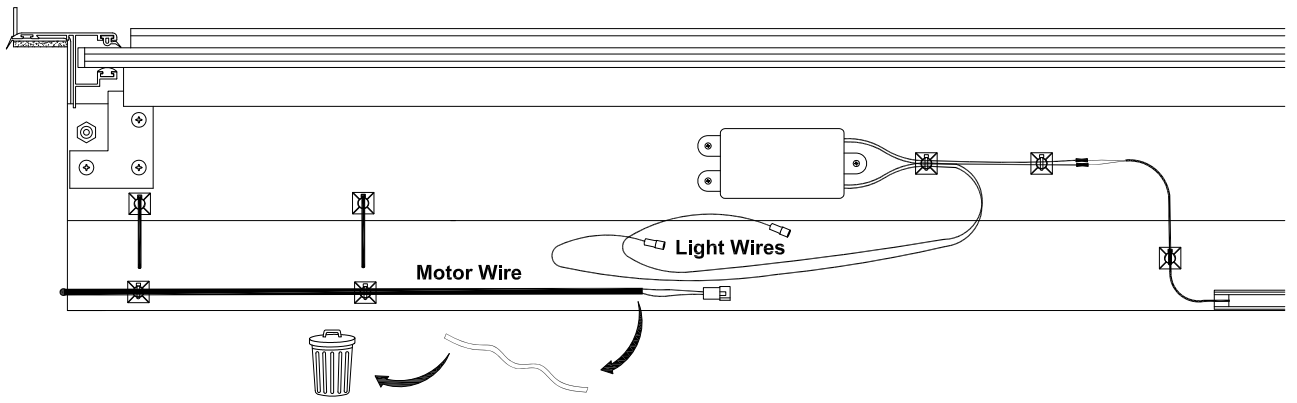
16 LHS = RHS



# Powering the unit:

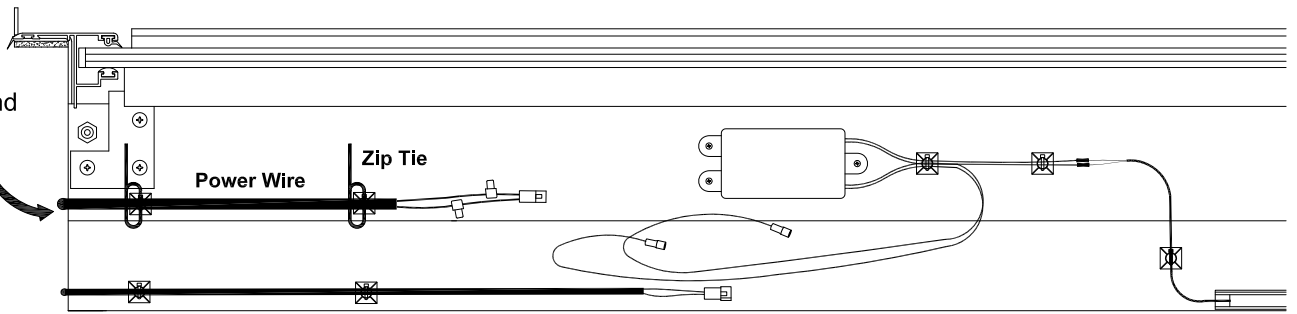
A

Unwrap light wires from motor wire.



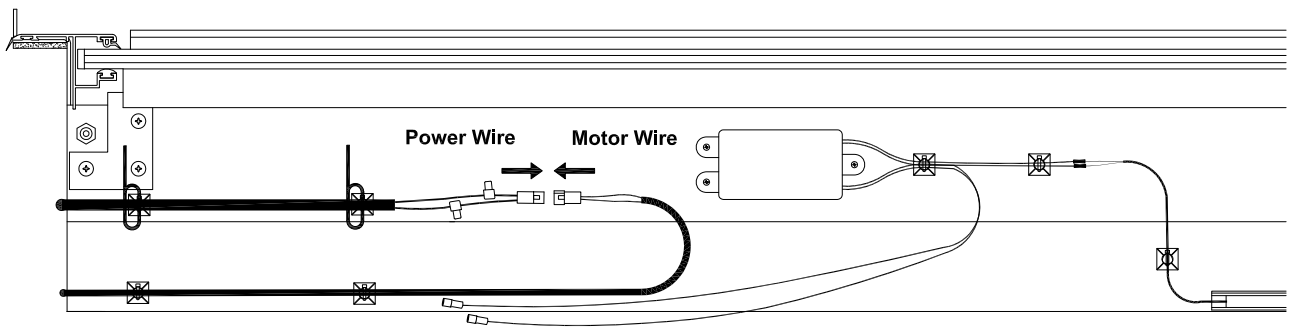
B

Bring power wire around and loosely zip tie to the front of the unit.



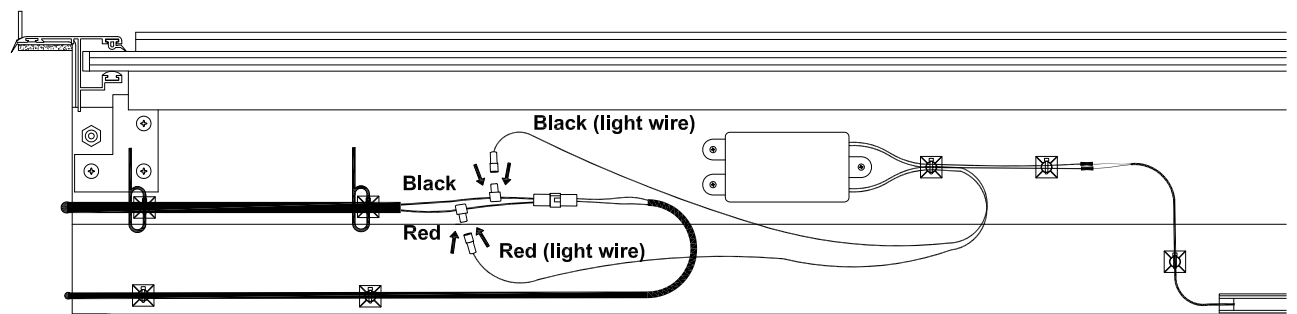
C

Plug motor wire connector into power wire connector.



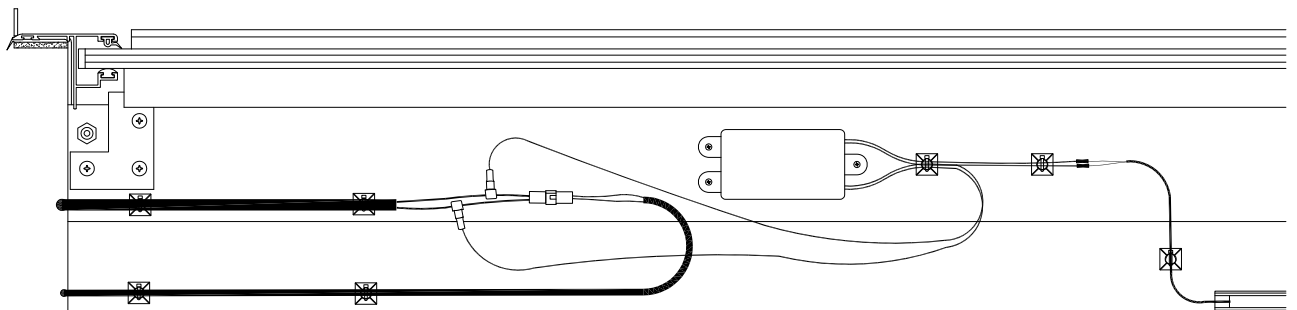
D

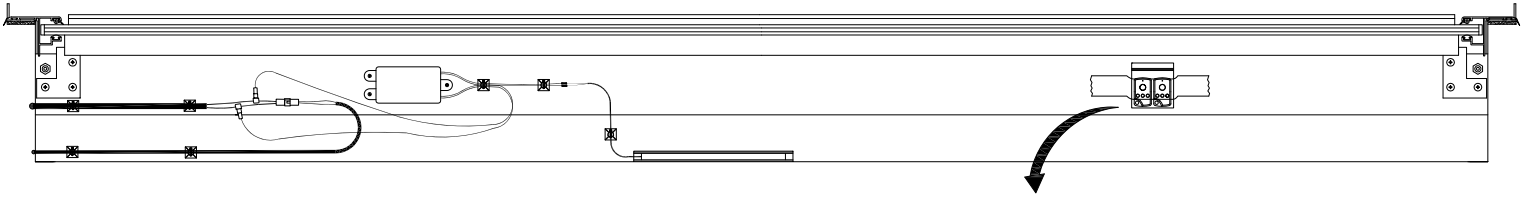
Plug light wire connectors into power wire connectors.



E

Position motor wire tighten zip ties and trim.

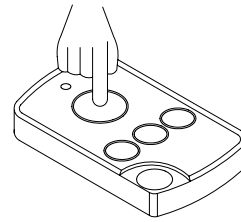




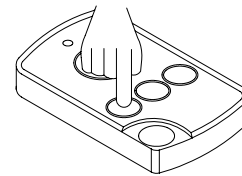
- Remove remotes from housing.

### Operating the system:

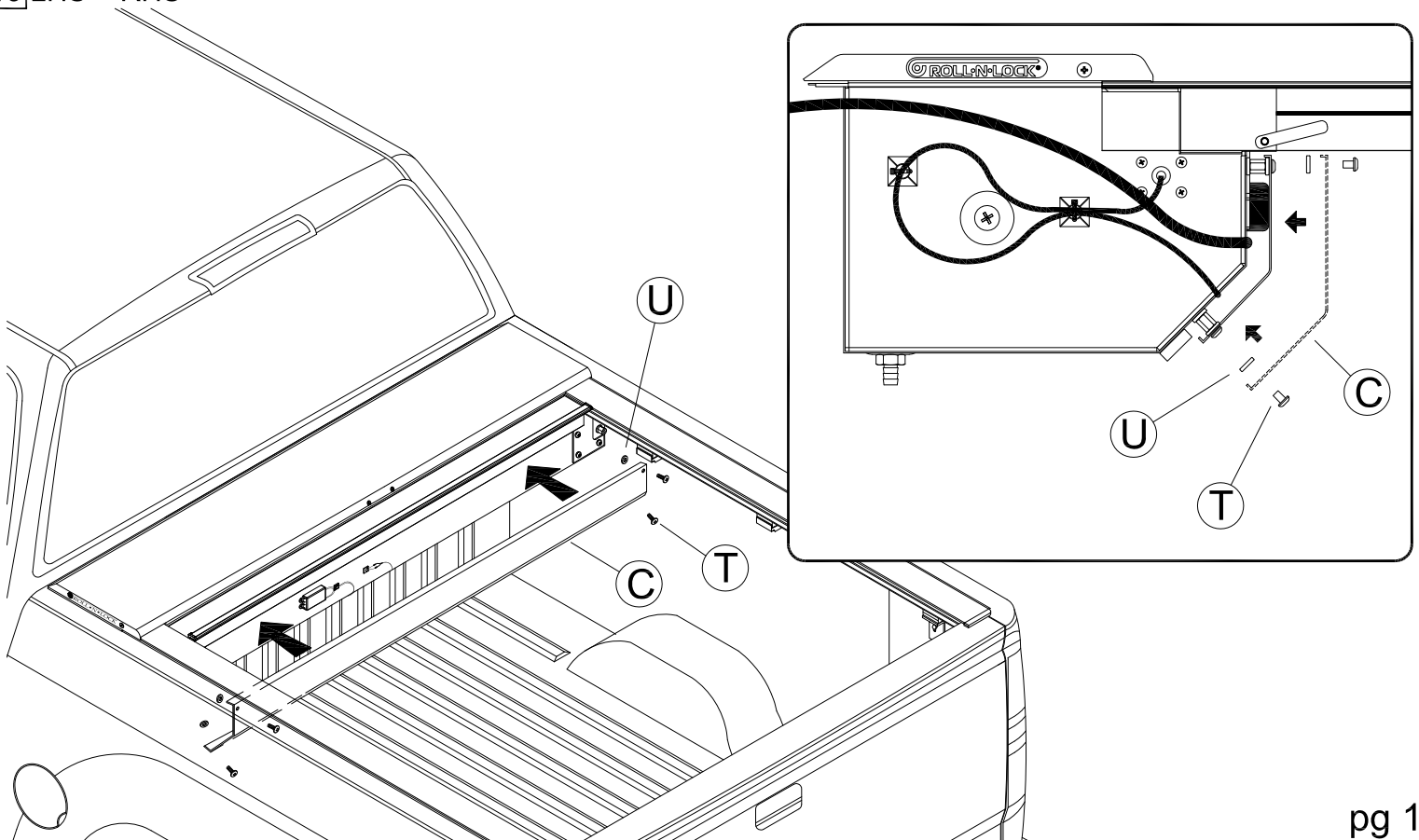
- Push the large button to run cover.
- Push the large button to stop the cover.
- Cover will stop automatically at tailgate and housing.



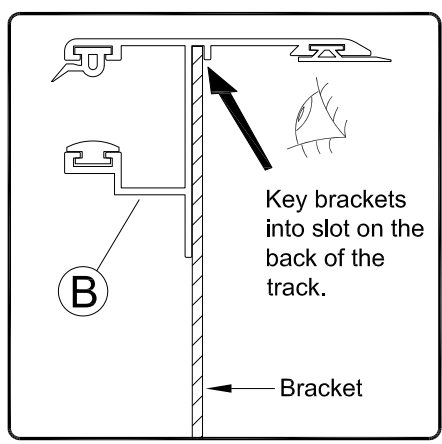
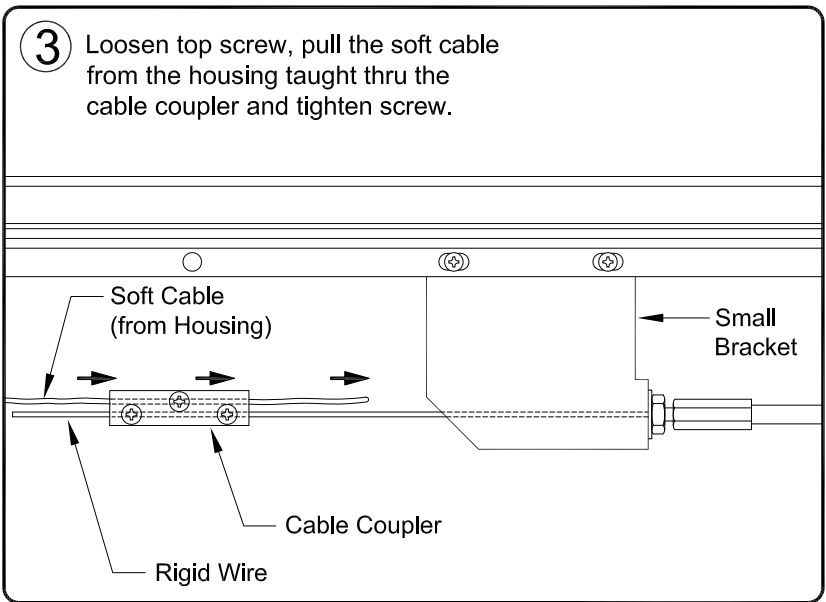
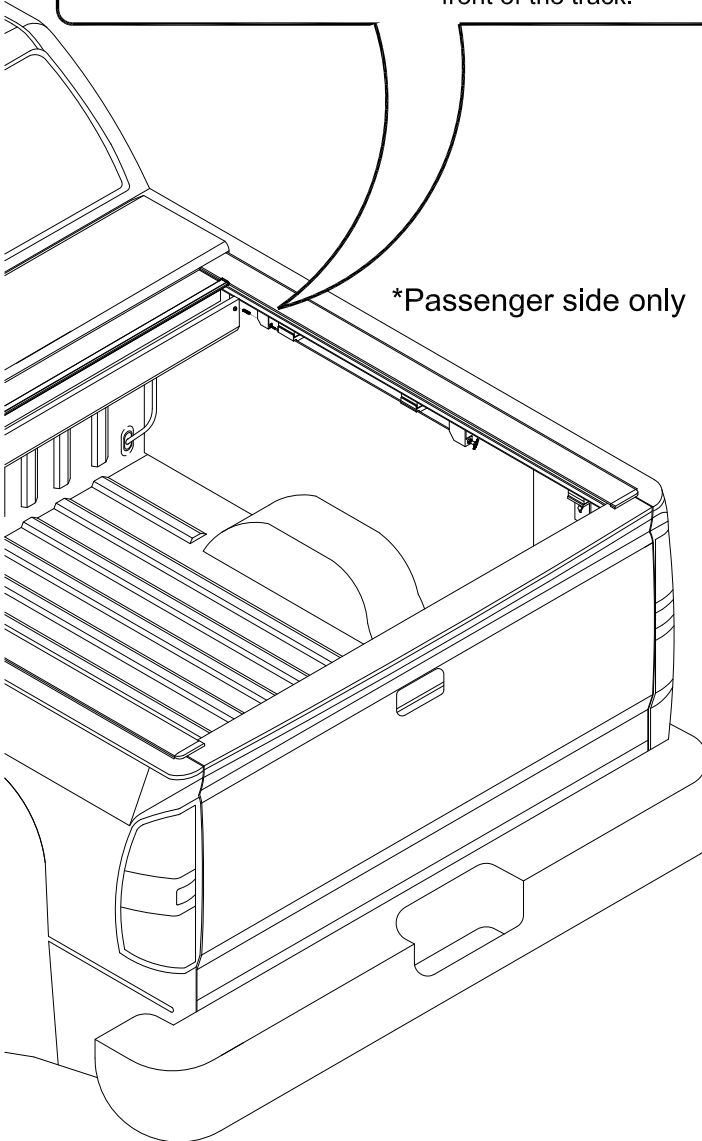
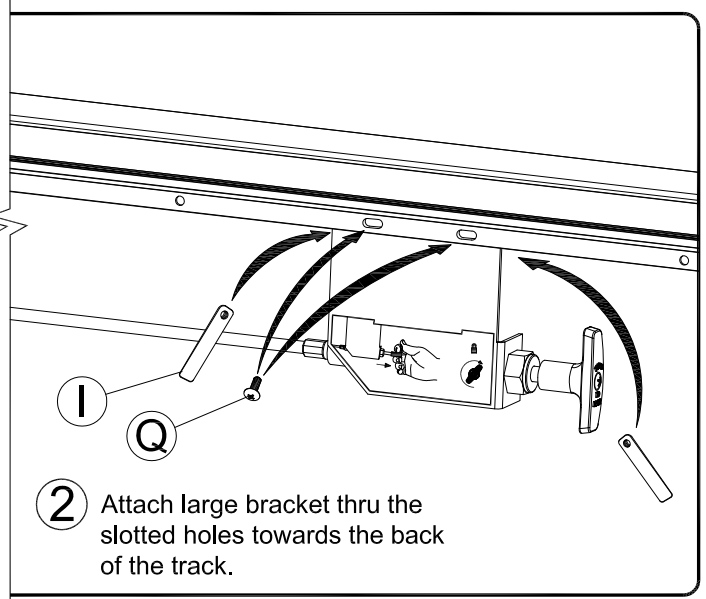
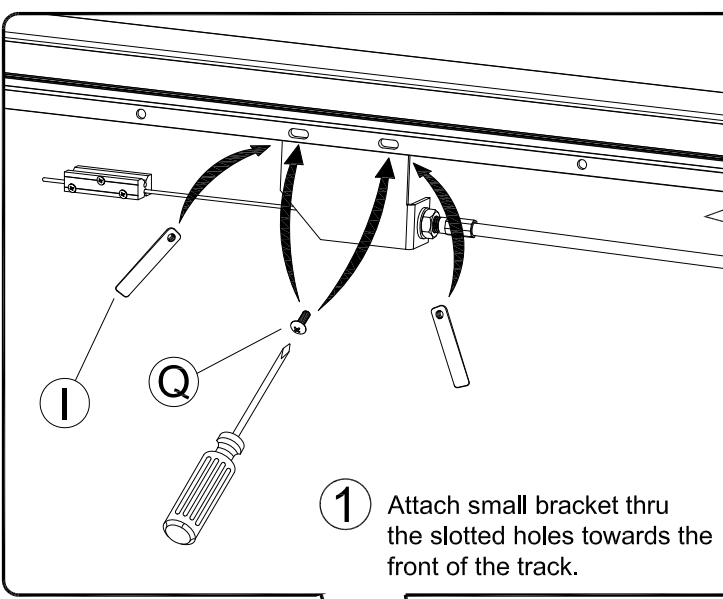
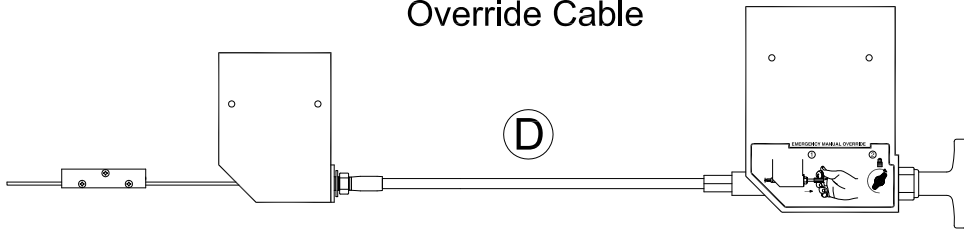
- Push the small left button to turn light on.
- Push the small left button to turn light off.
- Light will automatically turn off in 3 minutes.



19 LHS = RHS

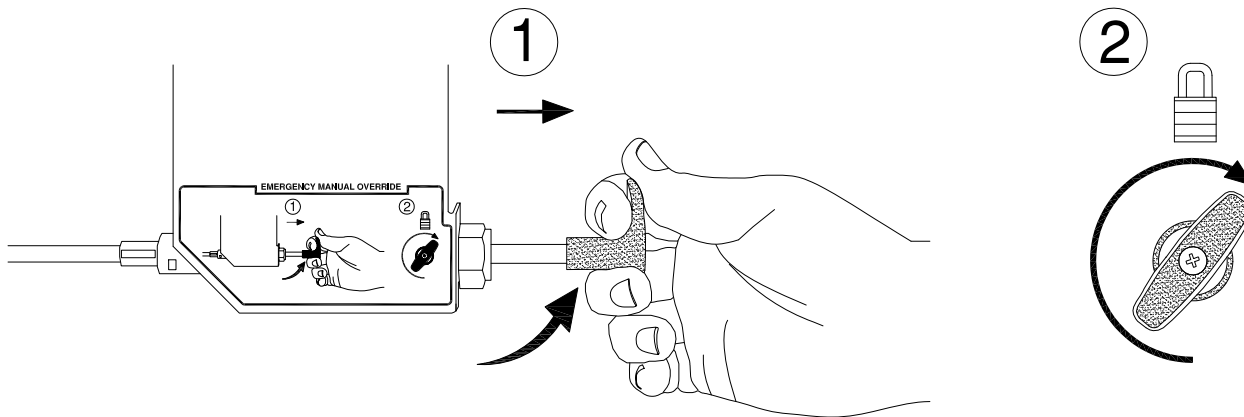


# Override Cable



## Operating the override:

- Use only when the cover is not operating remotely.
- Pull the lever and turn to lock in place, the cover will operate manually.
- Unlock the lever and push back to lock cover.



**ROLL•N•LOCK®**

Any questions please call Roll•N•Lock  
Customer Service at 800-952-7655 or [rollnlock.com](http://rollnlock.com)