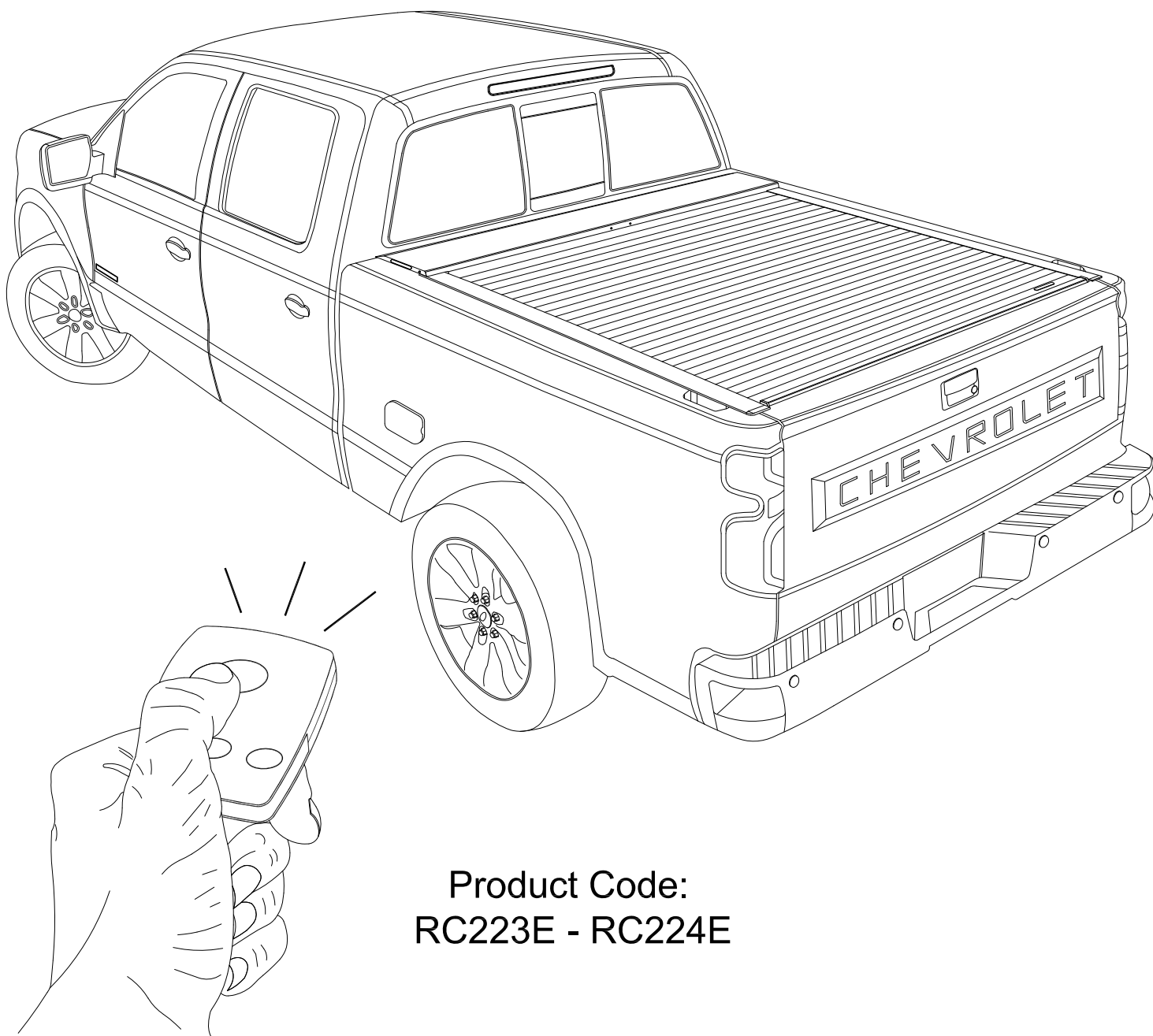




# E - Series Installation Guide

## Chevrolet Silverado / GM Sierra

### 2019



Product Code:  
RC223E - RC224E



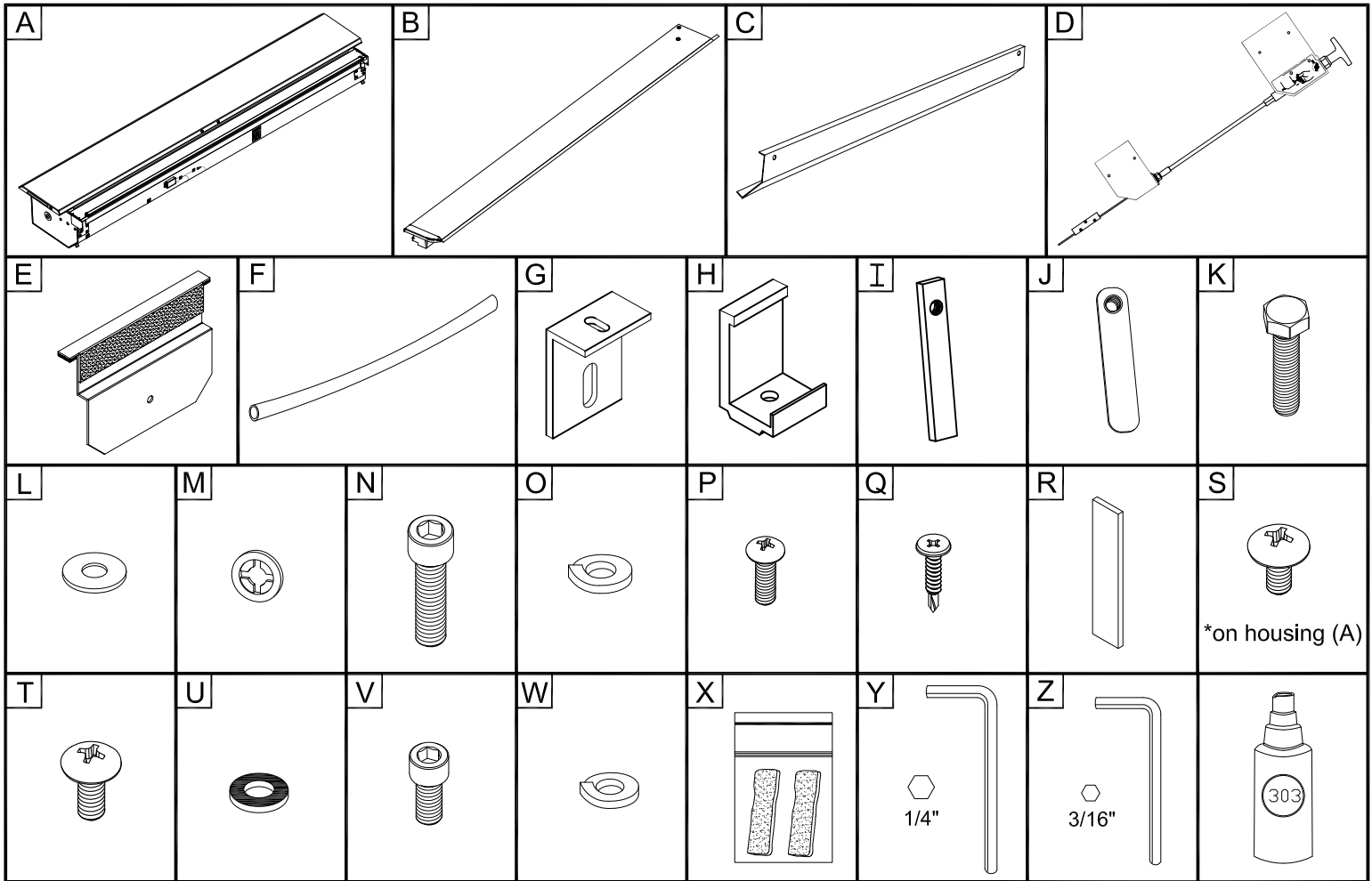
## Caution



Do not place ANY objects on top of the Tonneau Cover when attempting to open or close. Failure to follow the instruction may result in damage to your vehicle, belongings or Tonneau Cover. To avoid injury keep all body parts clear of Tonneau Cover and carrier when opening or closing.

# Parts List

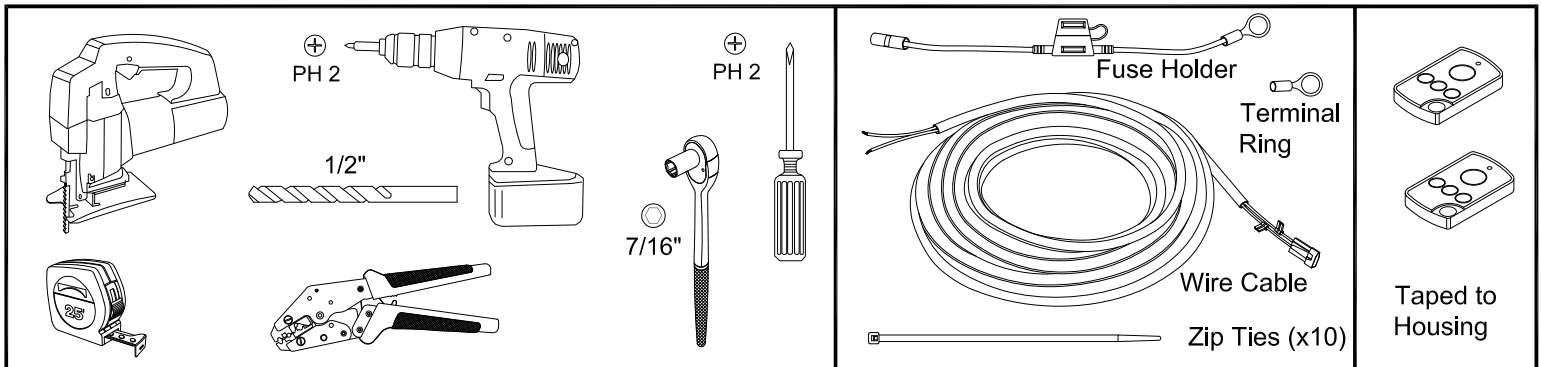
Item	Part Name	Qty.	Item	Part Name	Qty.	Item	Part Name	Qty.
A	Housing	1	J	Cargo Nut	6	S	1/4" Lid Screw	2
B	Track	2	K	1/4-20 x 1" Bolt	4	T	1/4-20 x 3/8" Screw	4
C	Cargo Shield	1	L	1/4" Flat Washer	4	U	Rubber Washer	4
D	Override Cable	1	M	Nylon Retaining Washer	4	V	1/4" Socket Cap Screw	2
E	Housing Bracket	2	N	5/16" Socket Cap Screw	4	W	1/4" Lock Washer	2
F	Drain Tube	2	O	5/16" Lock Washer	4	X	Butyl Caulk Strip	2
G	CB Track Bracket	2	P	#10-24 Screw	6	Y	Allen Wrench (1/4")	1
H	"CM" Bed Clamp	4	Q	#8 x 3/4" Self Tap Screw	2	Z	Allen Wrench (3/16")	1
I	Threaded Tang	4	R	Shim	4		303 Vinyl Protector	1



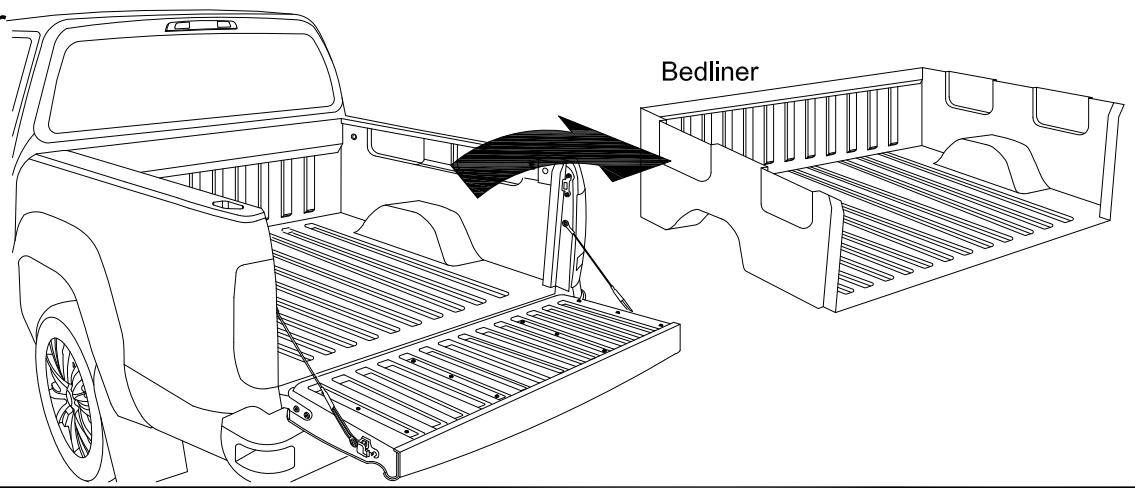
## Tools Needed

## Wire Cable / Connectors

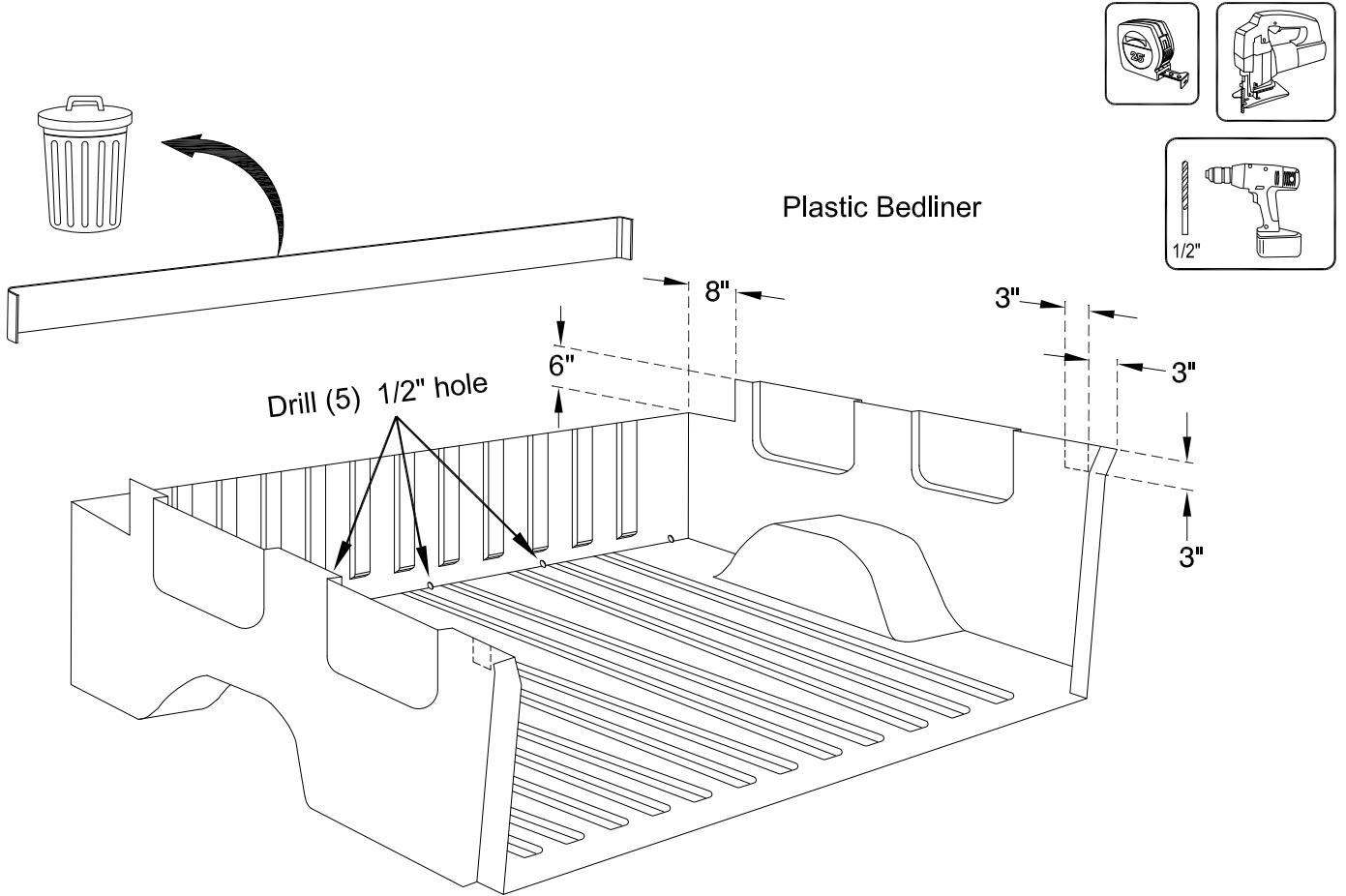
## Remotes



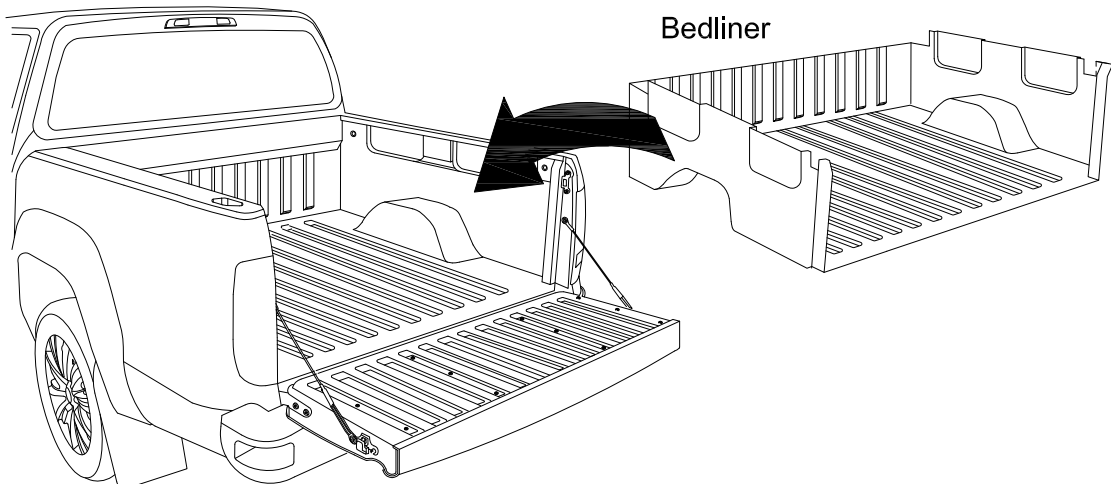
1a If no plastic bedliner present proceed to page 5 - Step 1



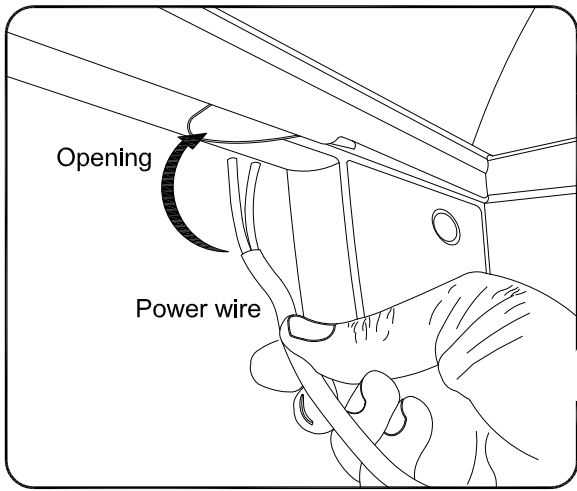
1b



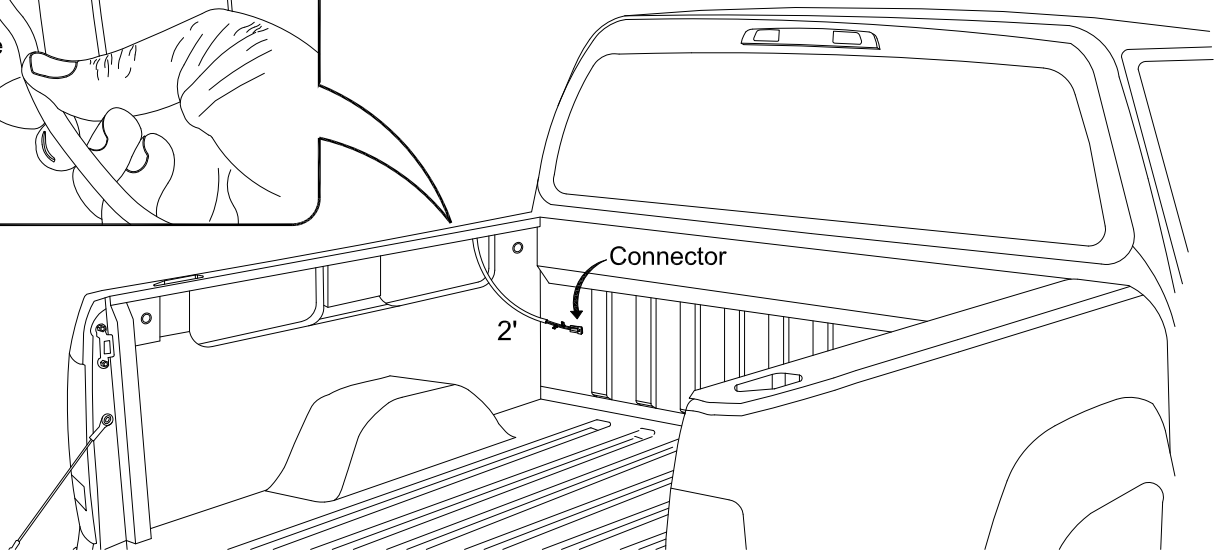
1c



1

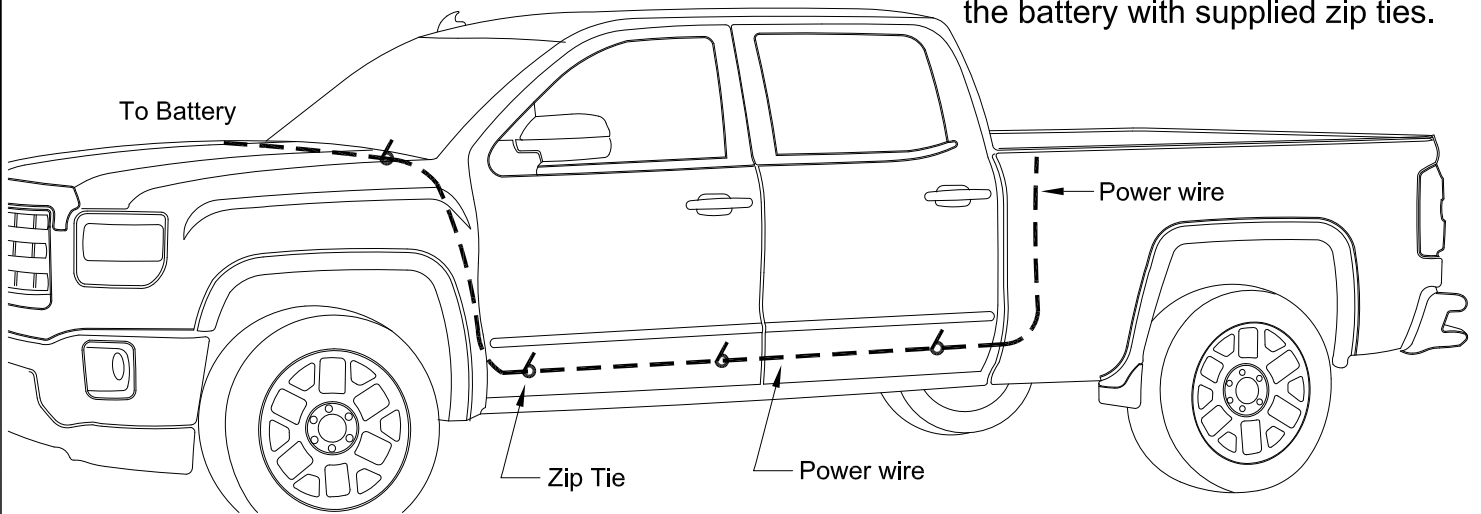


Feed end of power wire through opening on drivers side of truck cap, then down through the side panel to the ground.  
Leave 2' of power wire in the truck bed.



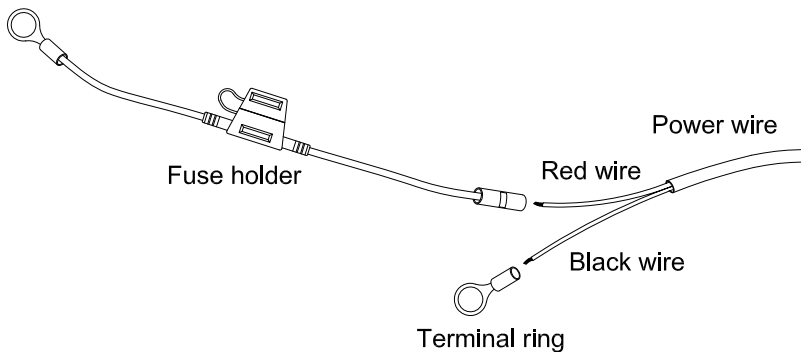
2

Feed power wire under the truck securing to an existing wire harness leading to the battery with supplied zip ties.

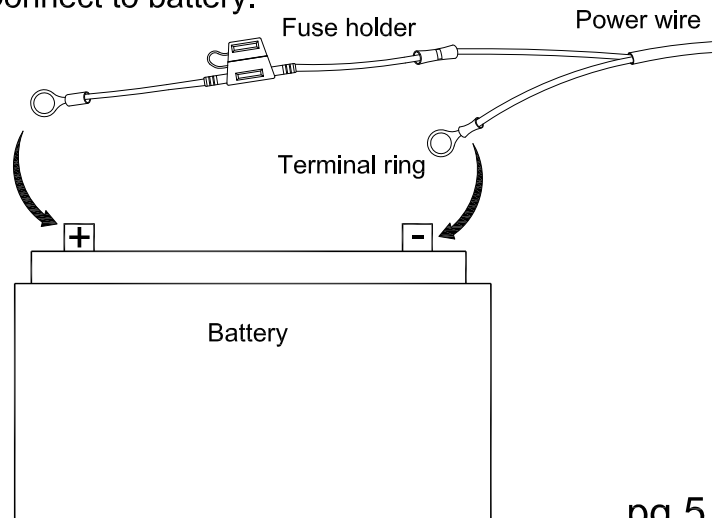


3

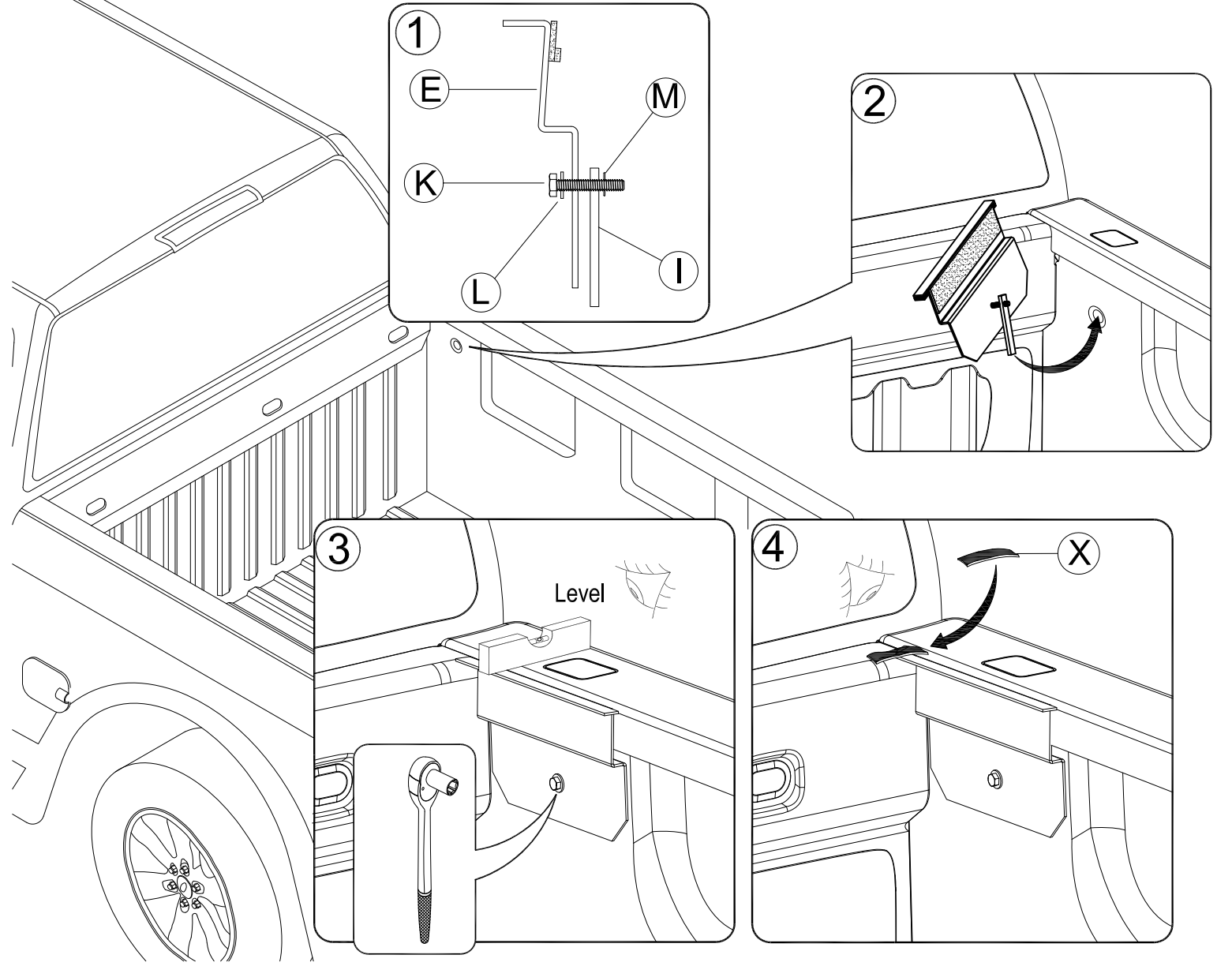
Crimp the fuse holder to the RED wire and the terminal ring to the Black wire.



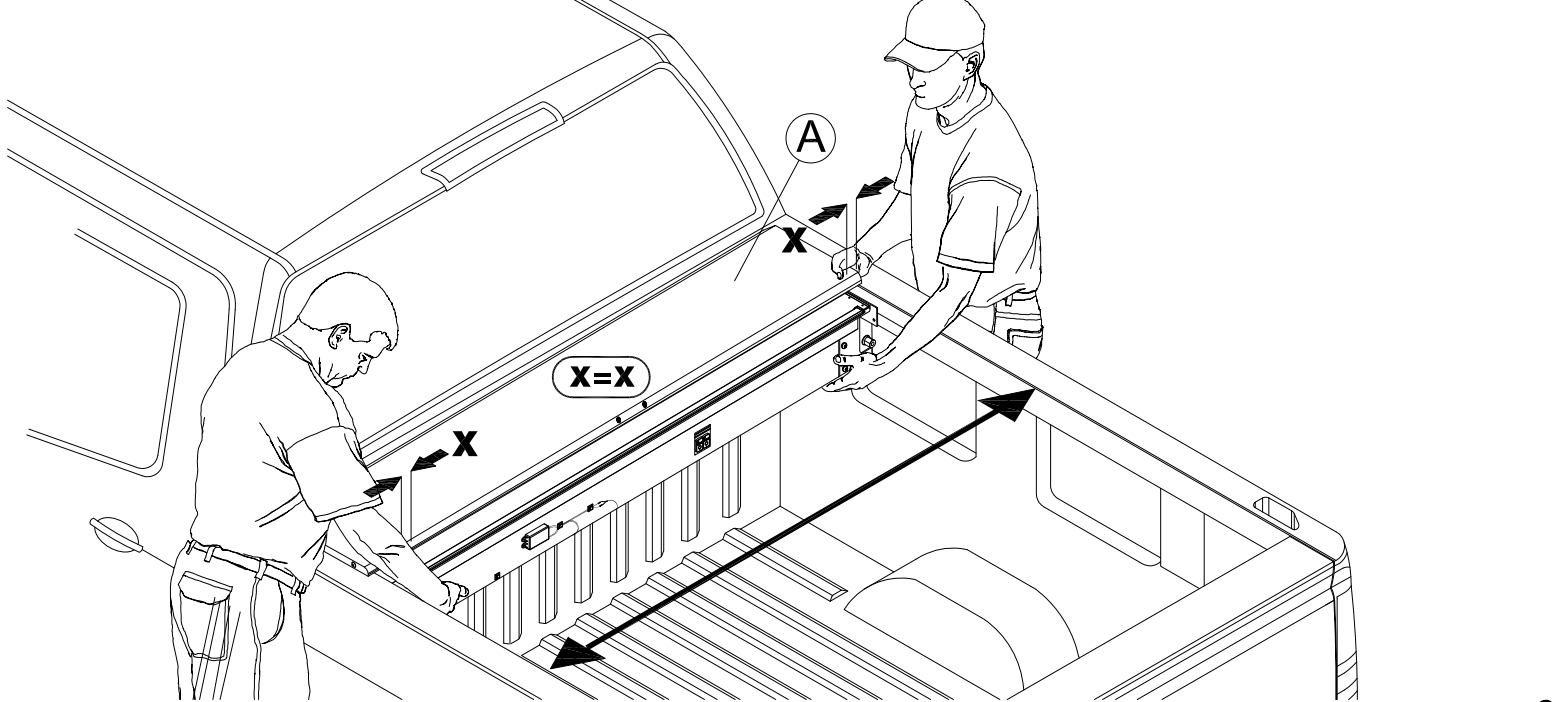
Connect to battery.



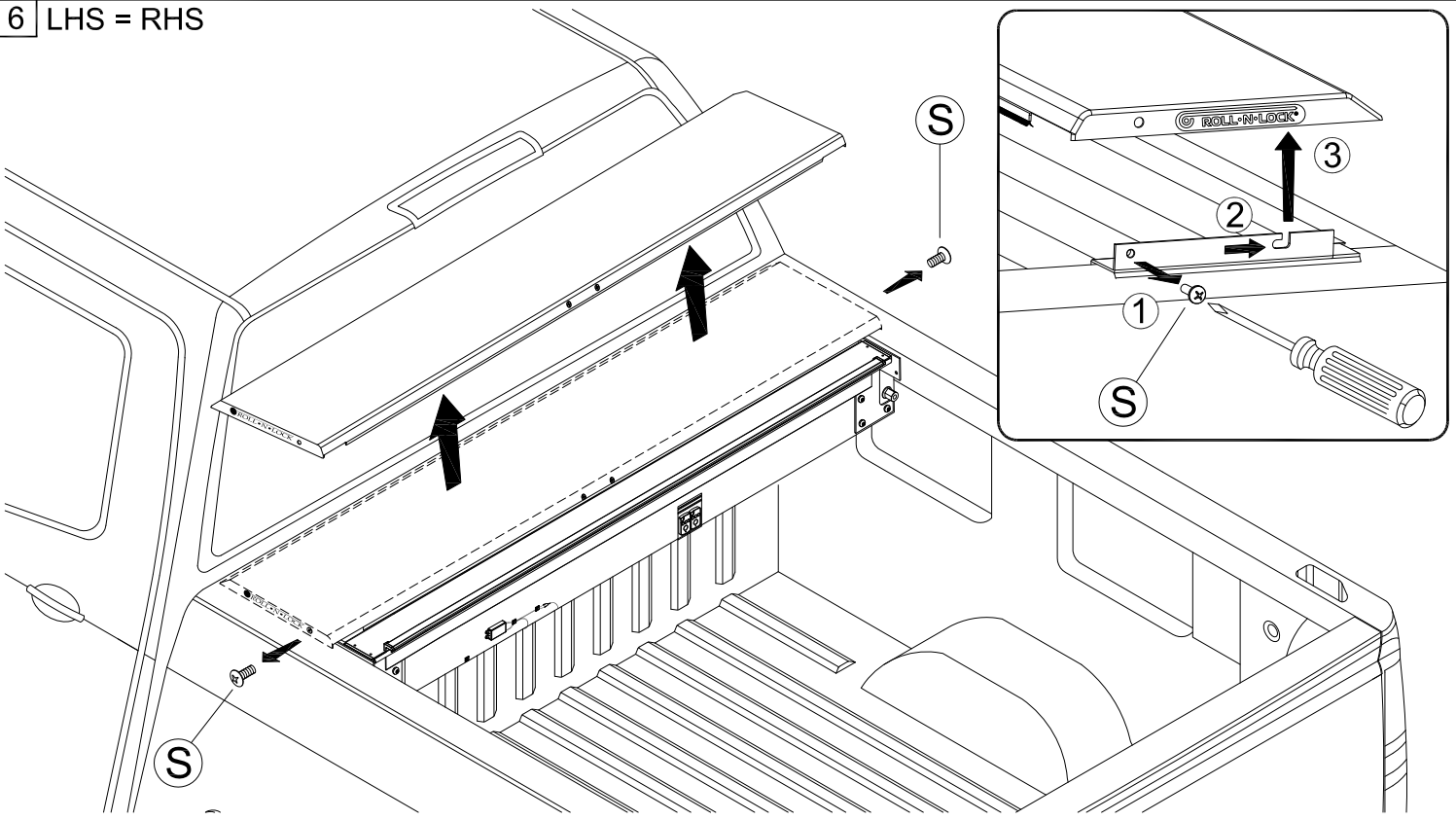
4 LHS = RHS



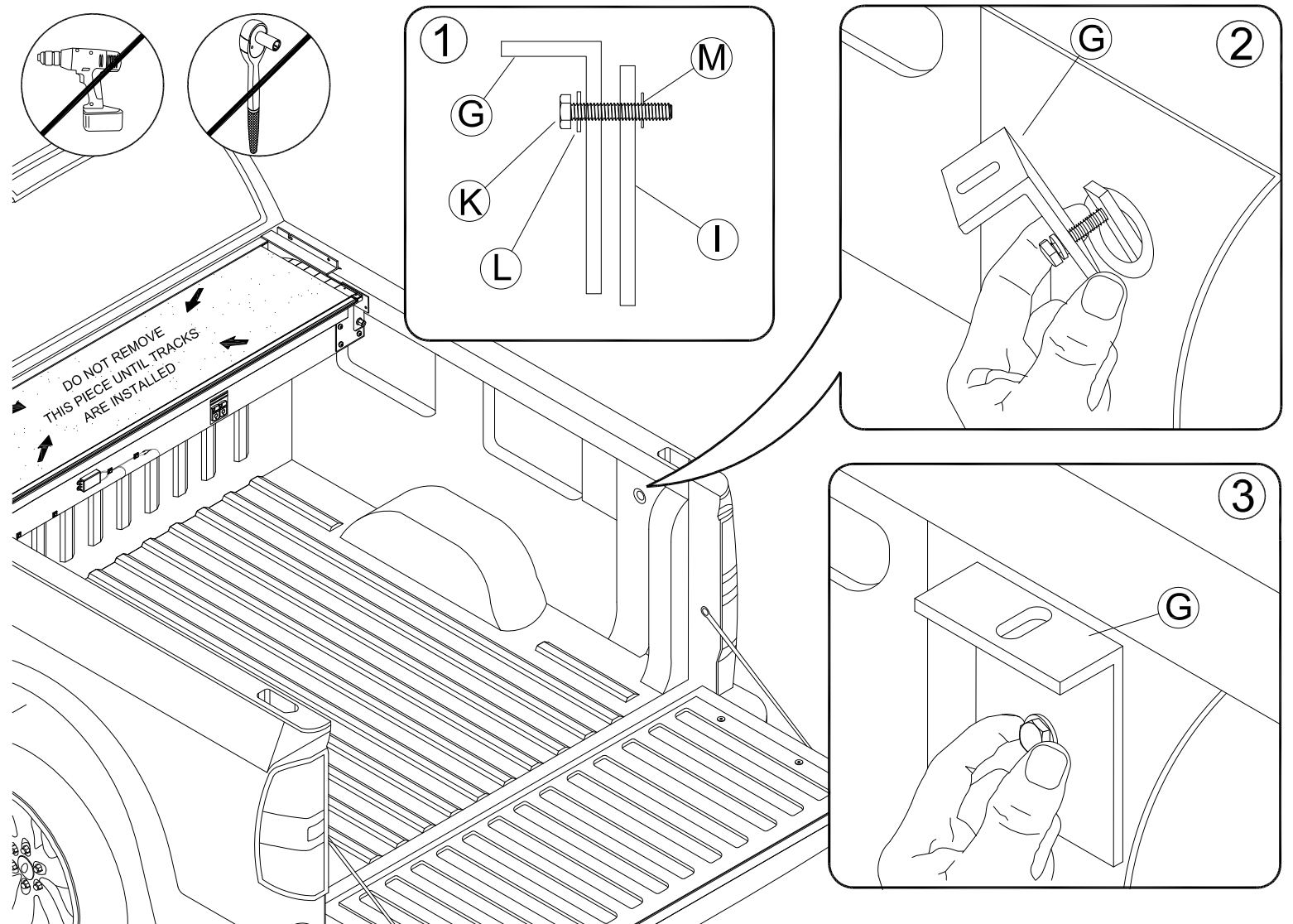
5 LHS = RHS



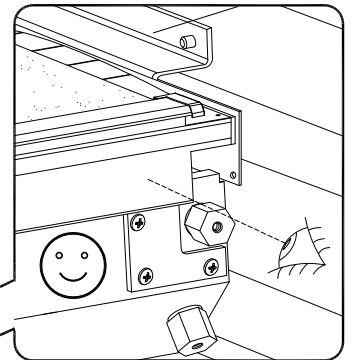
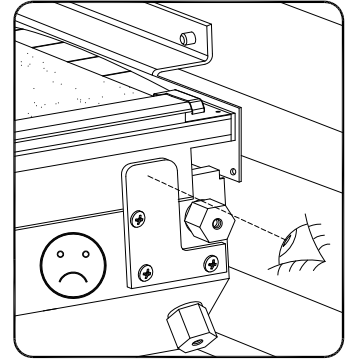
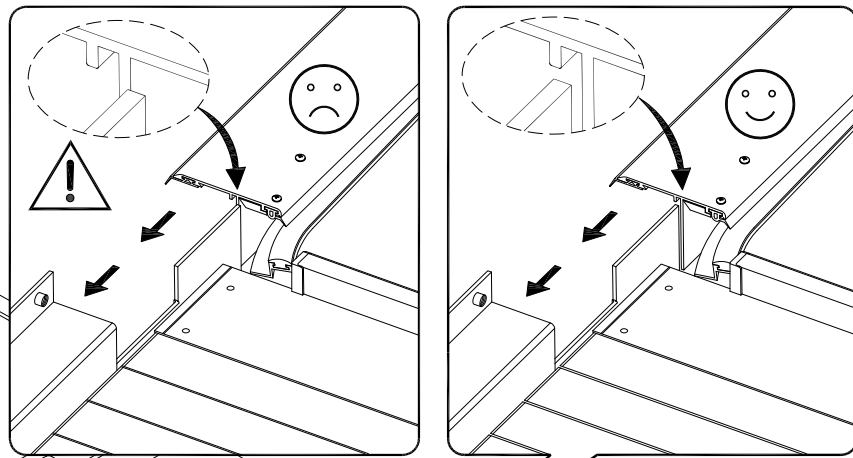
6 LHS = RHS



7 LHS = RHS



8 LHS = RHS



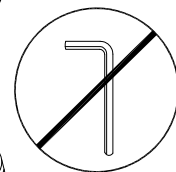
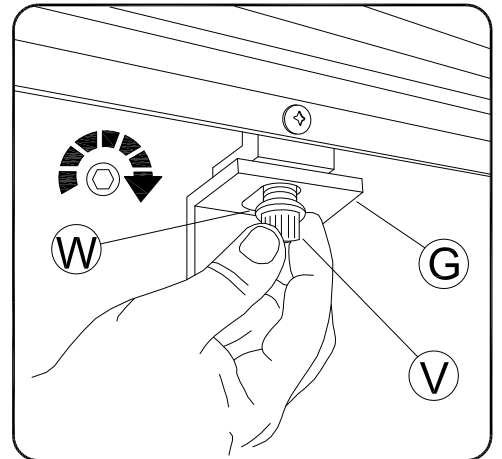
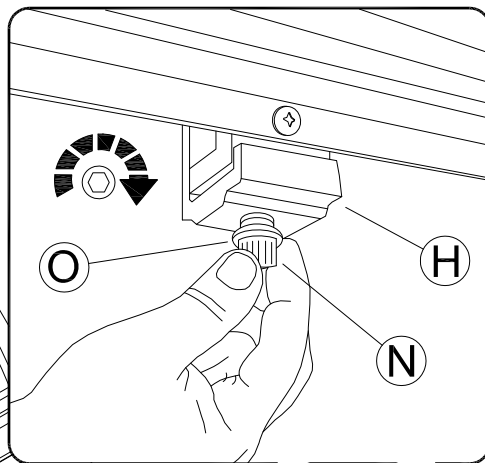
DO NOT REMOVE  
THIS PIECE UNTIL TRACKS  
ARE INSTALLED

2

1

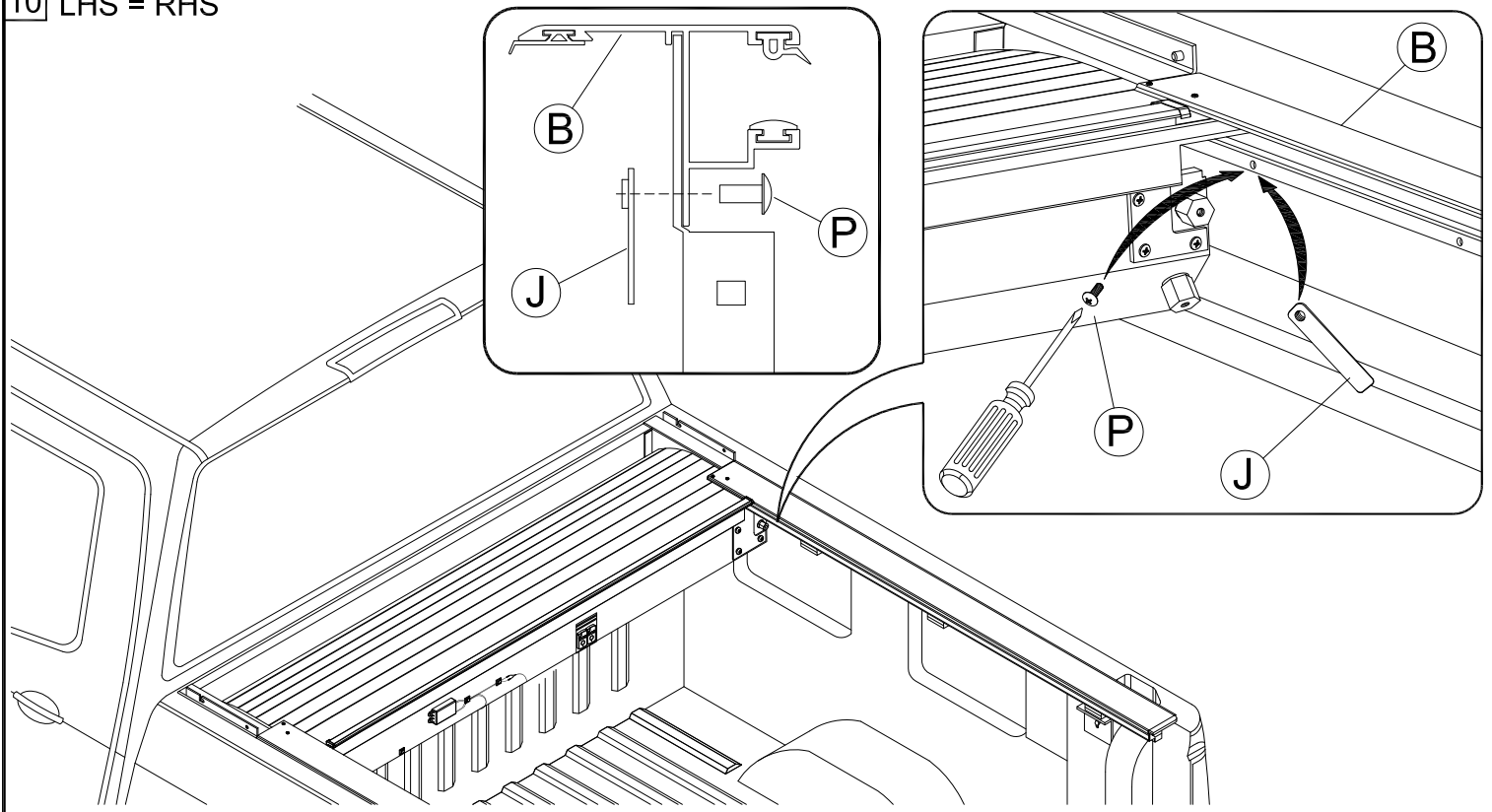
B

9 LHS = RHS

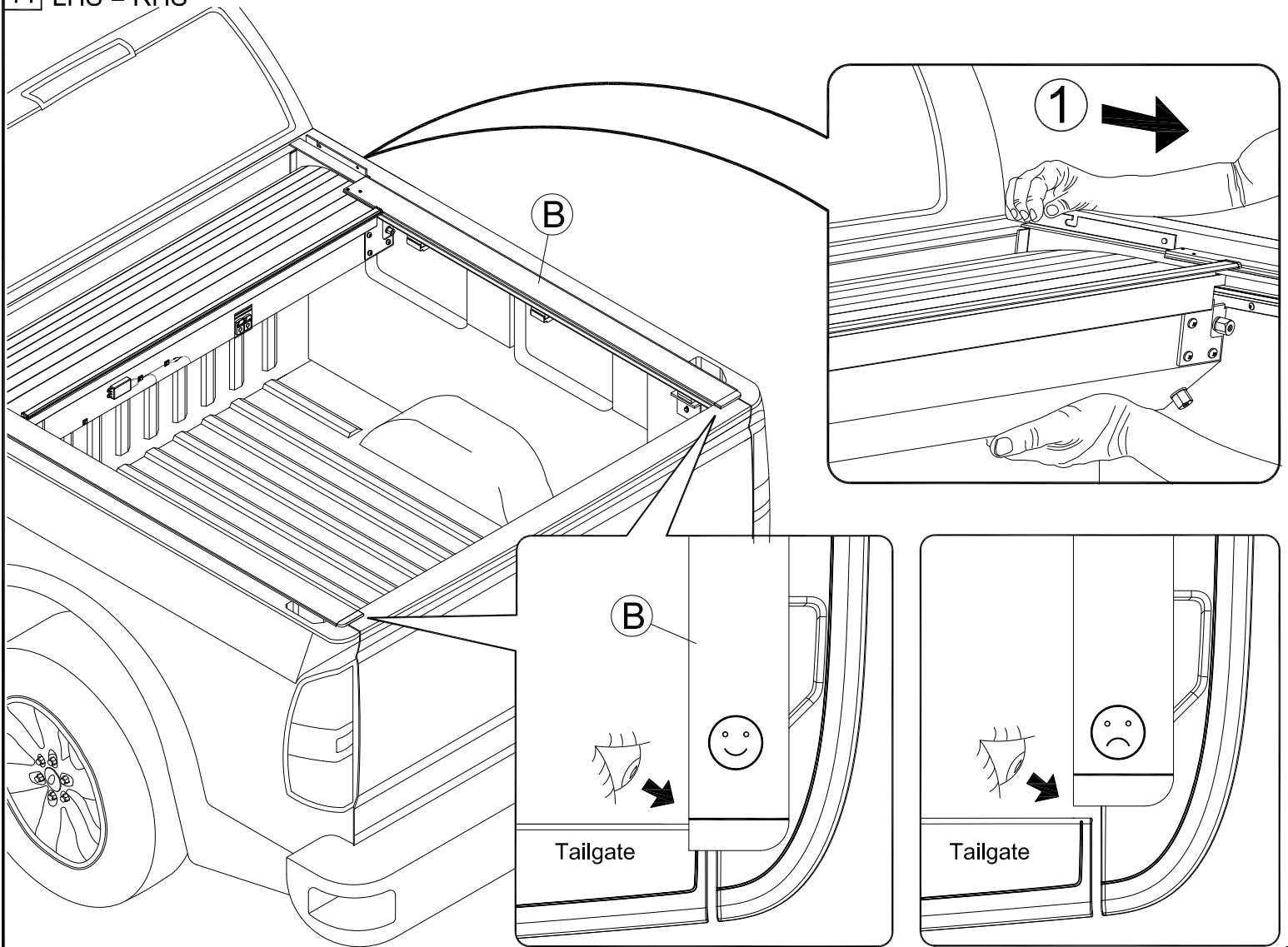




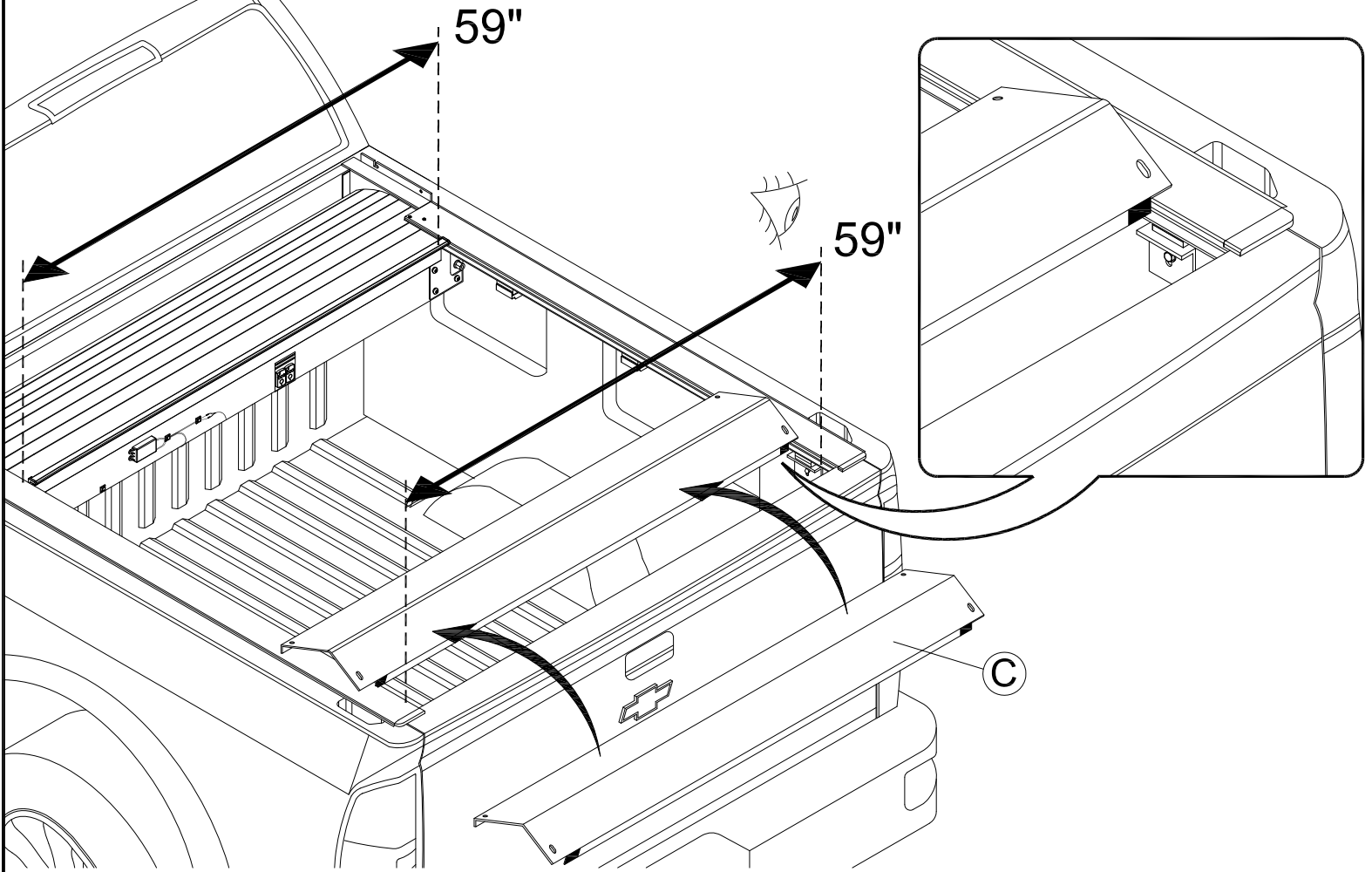
10 LHS = RHS



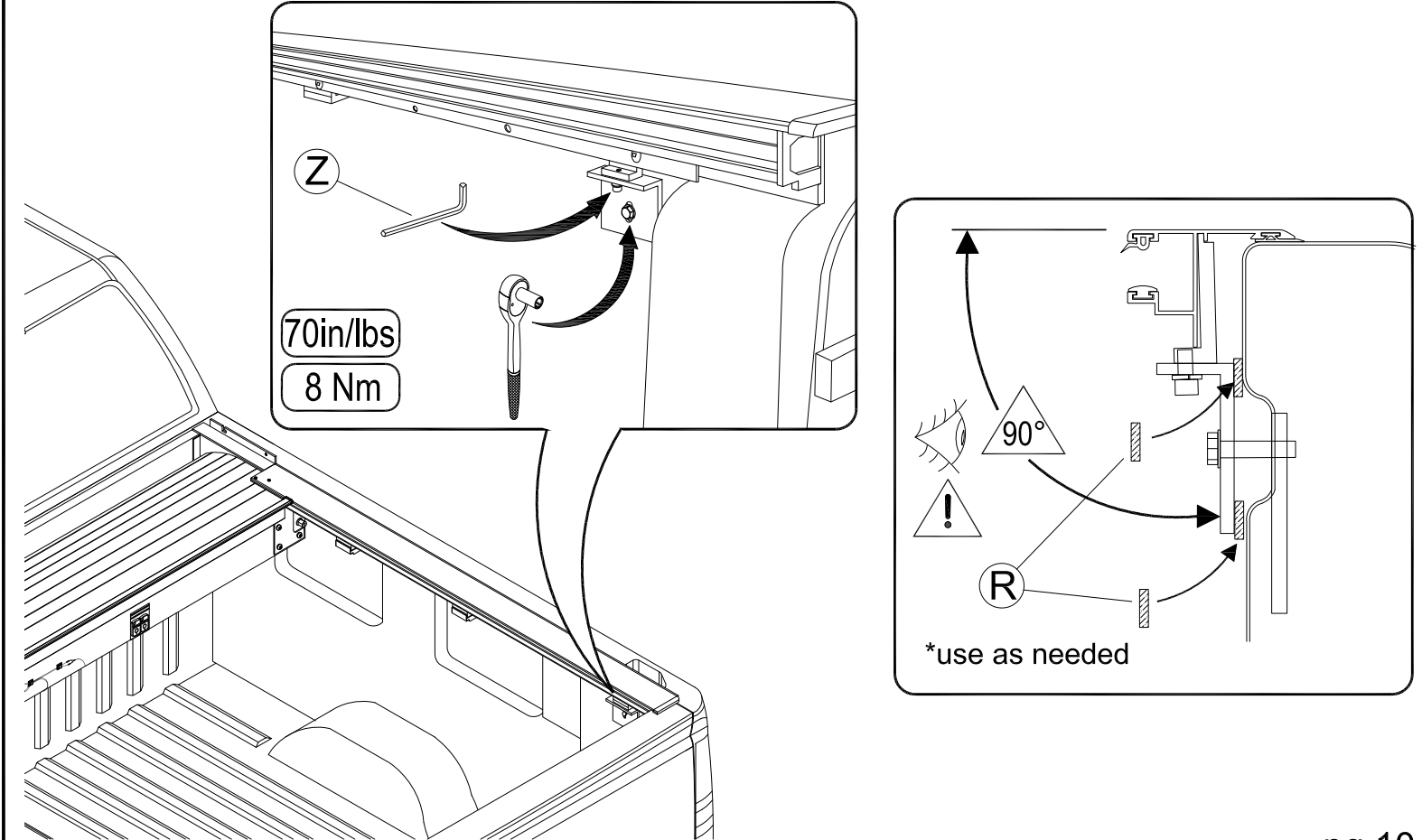
11 LHS = RHS



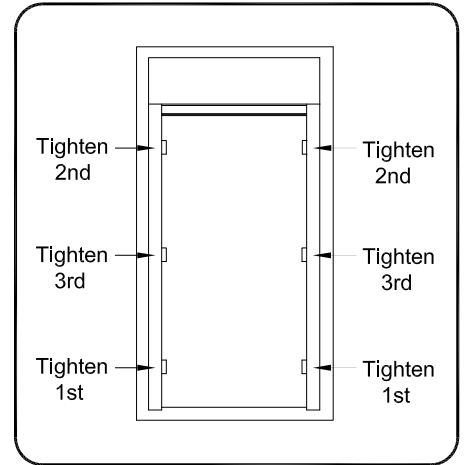
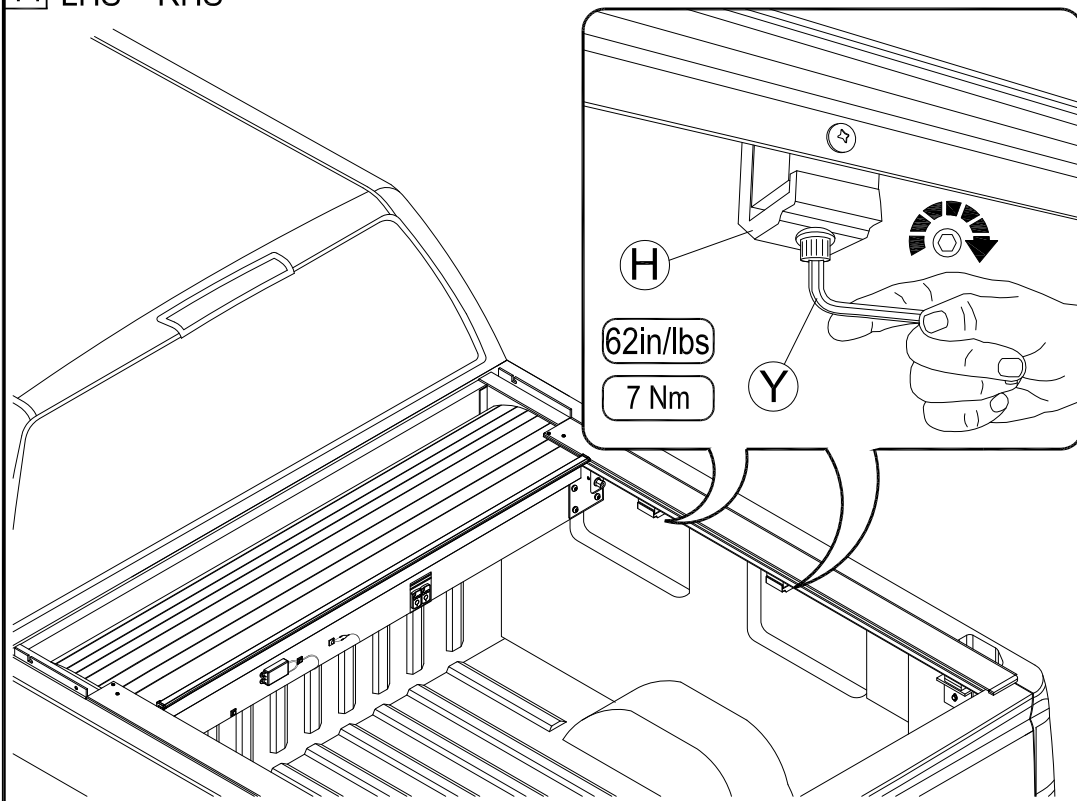
12 LHS = RHS



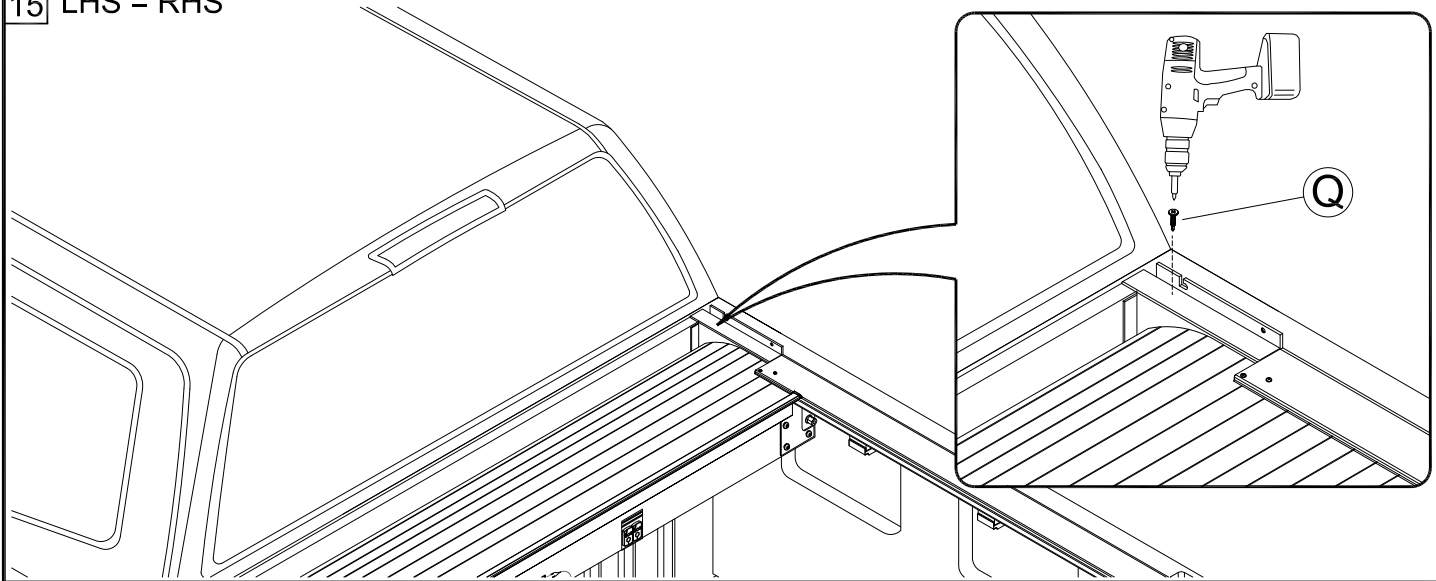
13 LHS = RHS



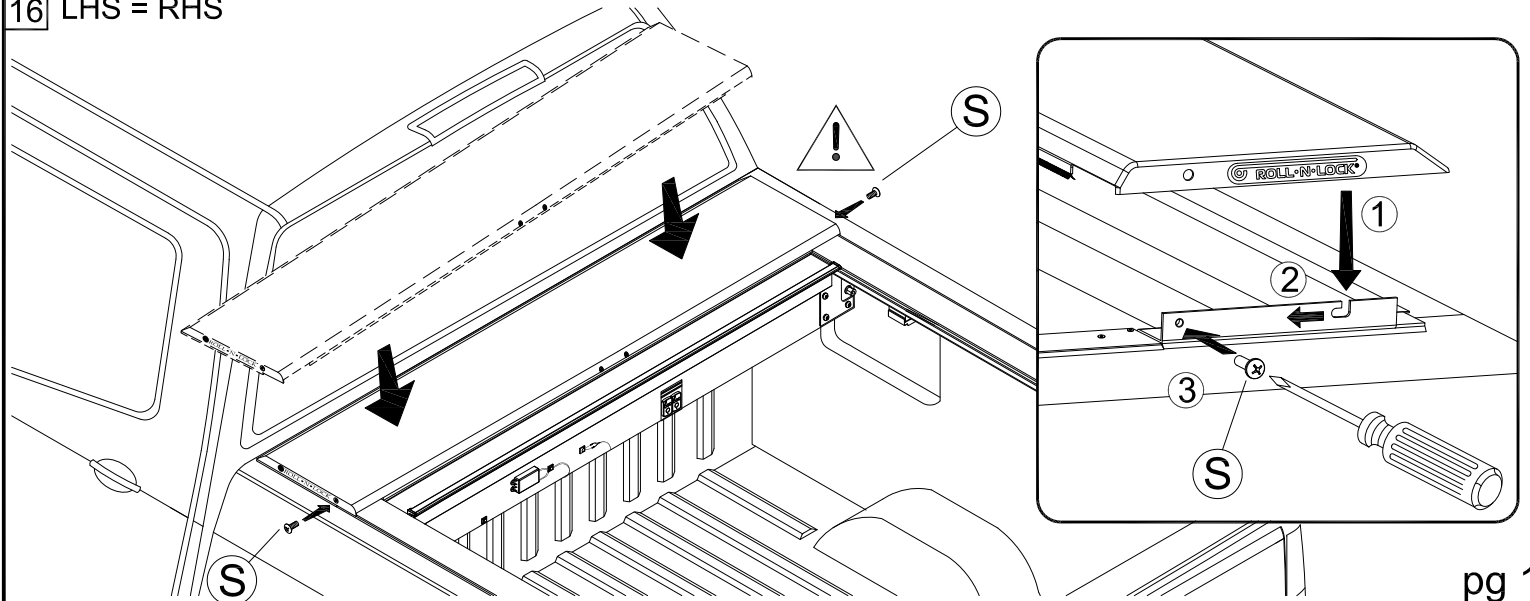
14 LHS = RHS



15 LHS = RHS



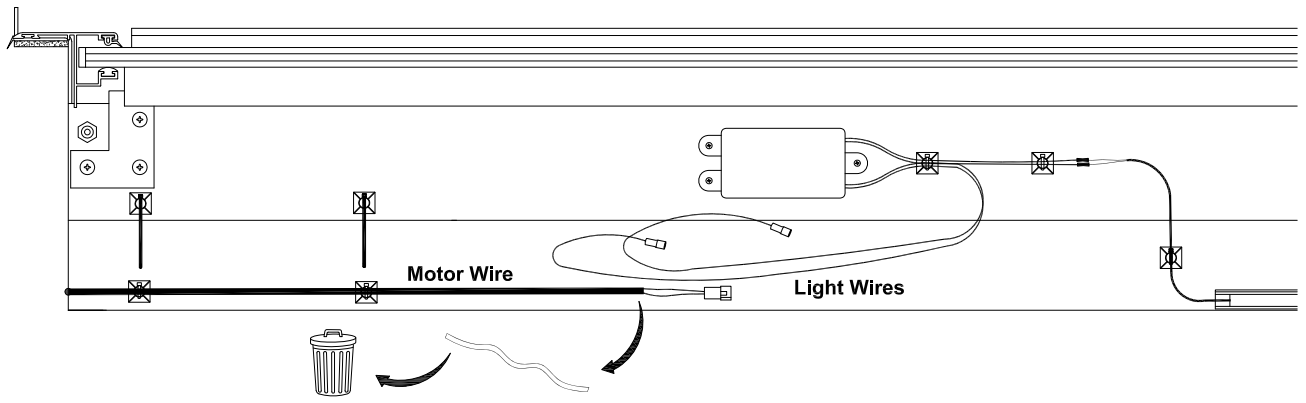
16 LHS = RHS



# Powering the unit:

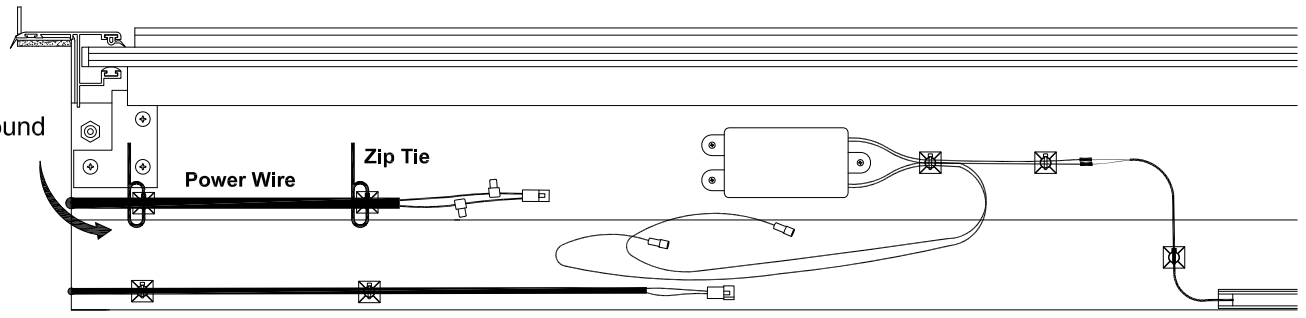
A

Unwrap light wires from motor wire.



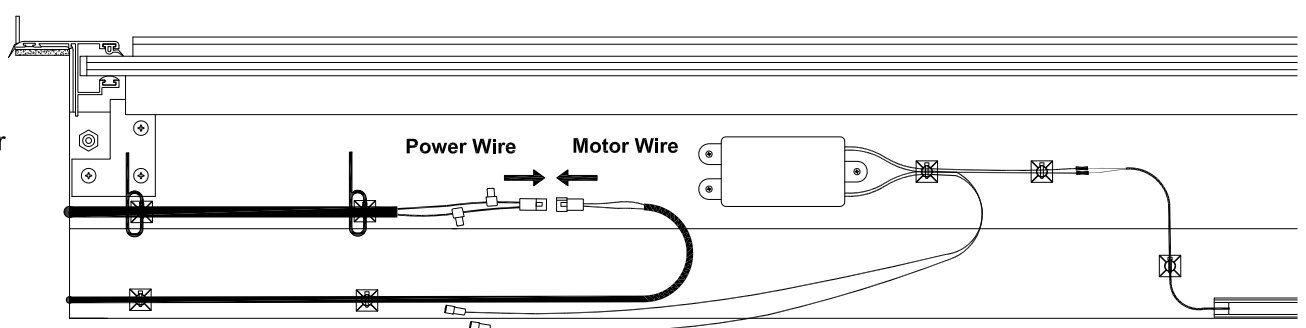
B

Bring power wire around and loosely zip tie to the front of the unit.



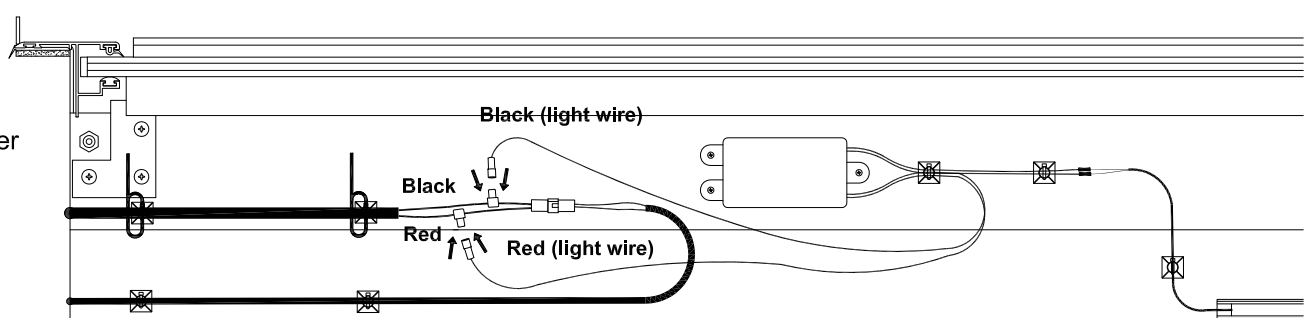
C

Plug motor wire connector into power wire connector.



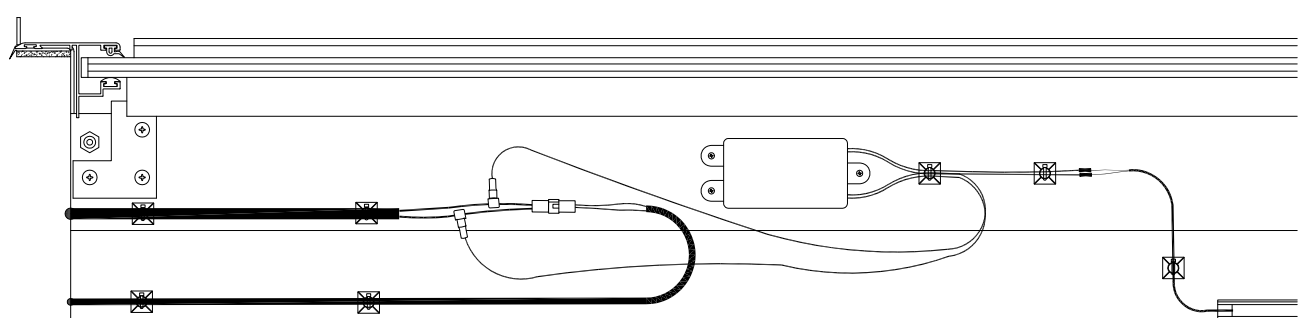
D

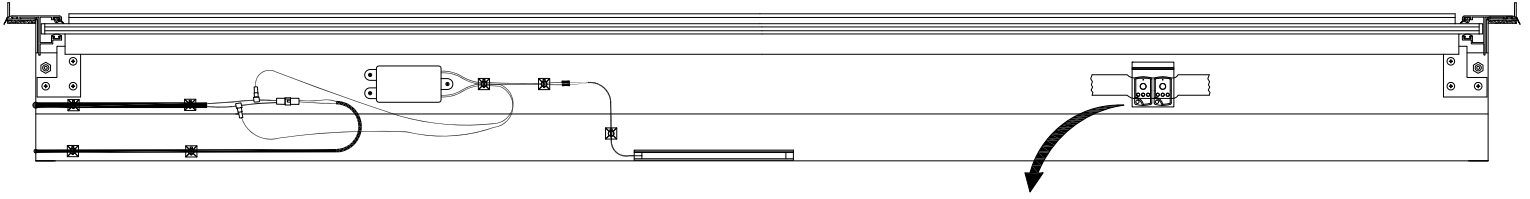
Plug light wire connectors into power wire connectors.



E

Position motor wire tighten zip ties and trim.

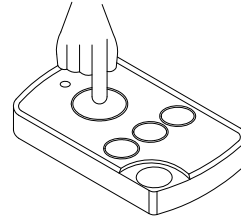




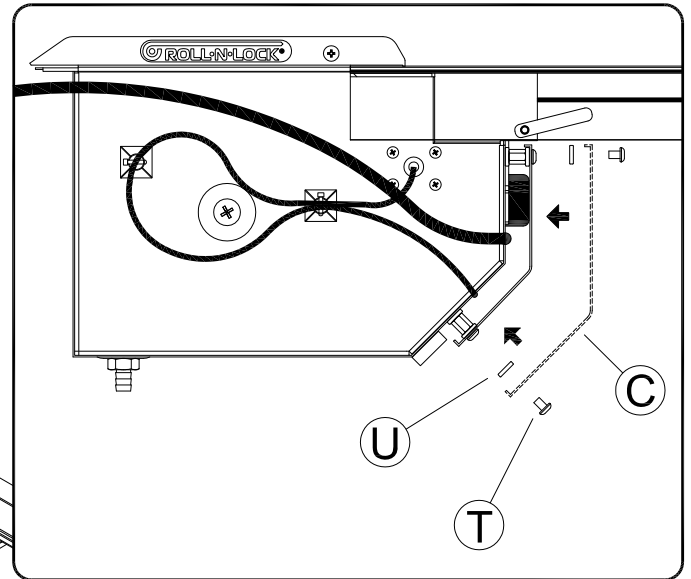
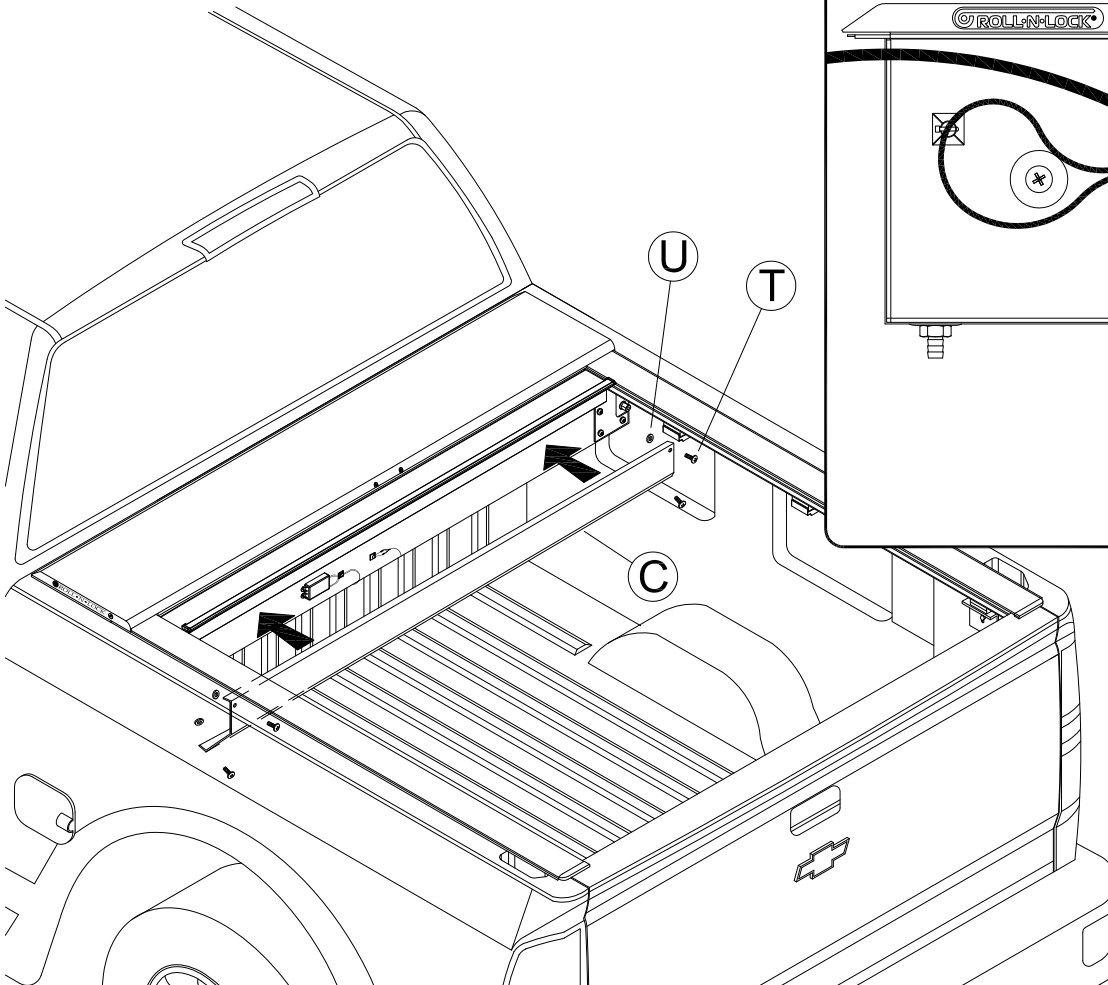
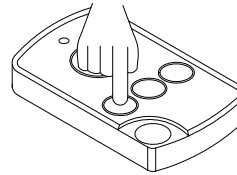
- Remove remotes from housing.

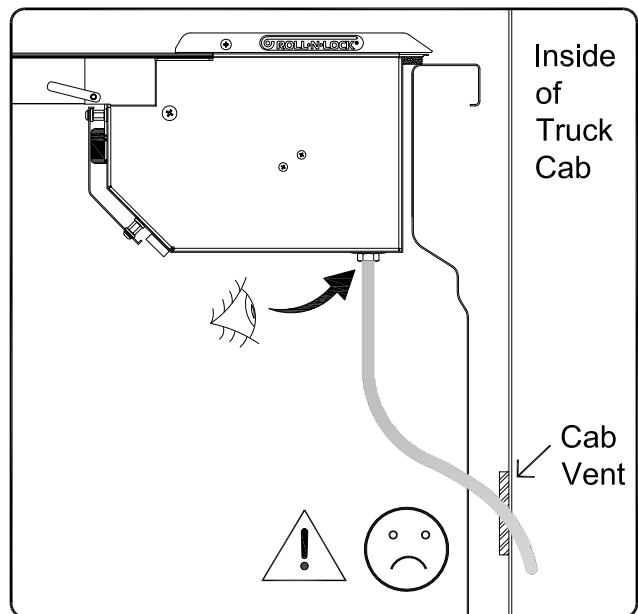
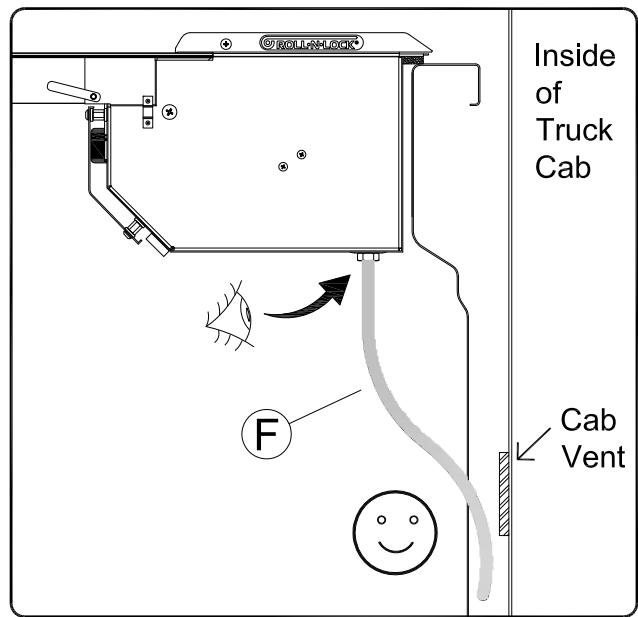
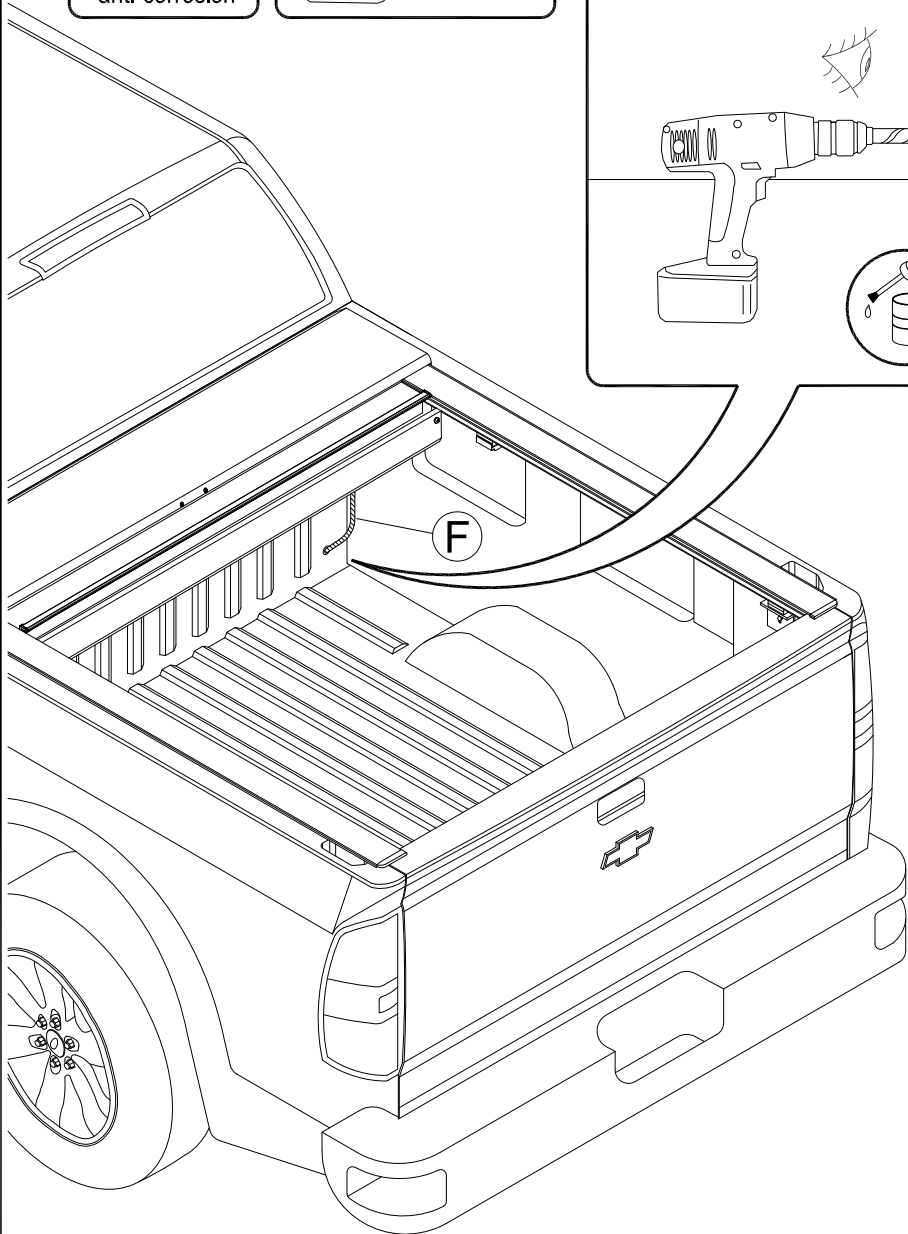
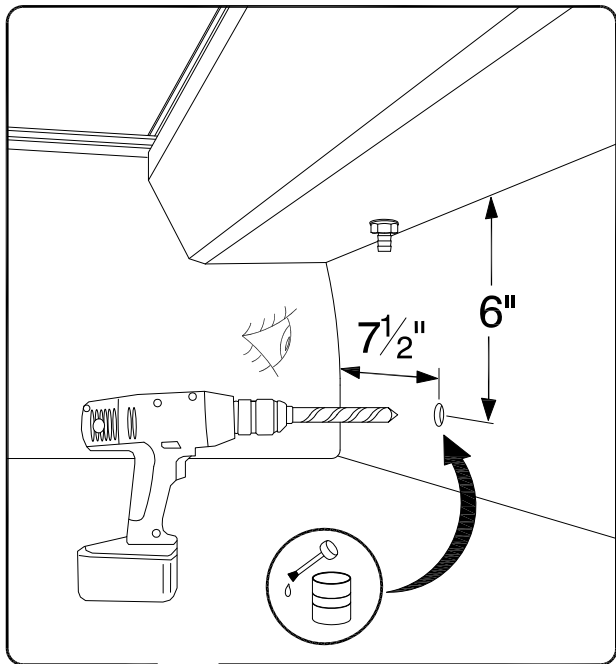
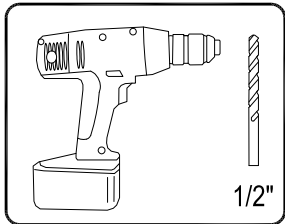
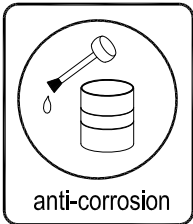
Operating the system:

- Push the large button to run cover.
- Push the large button to stop the cover.
- Cover will stop automatically at tailgate and housing.



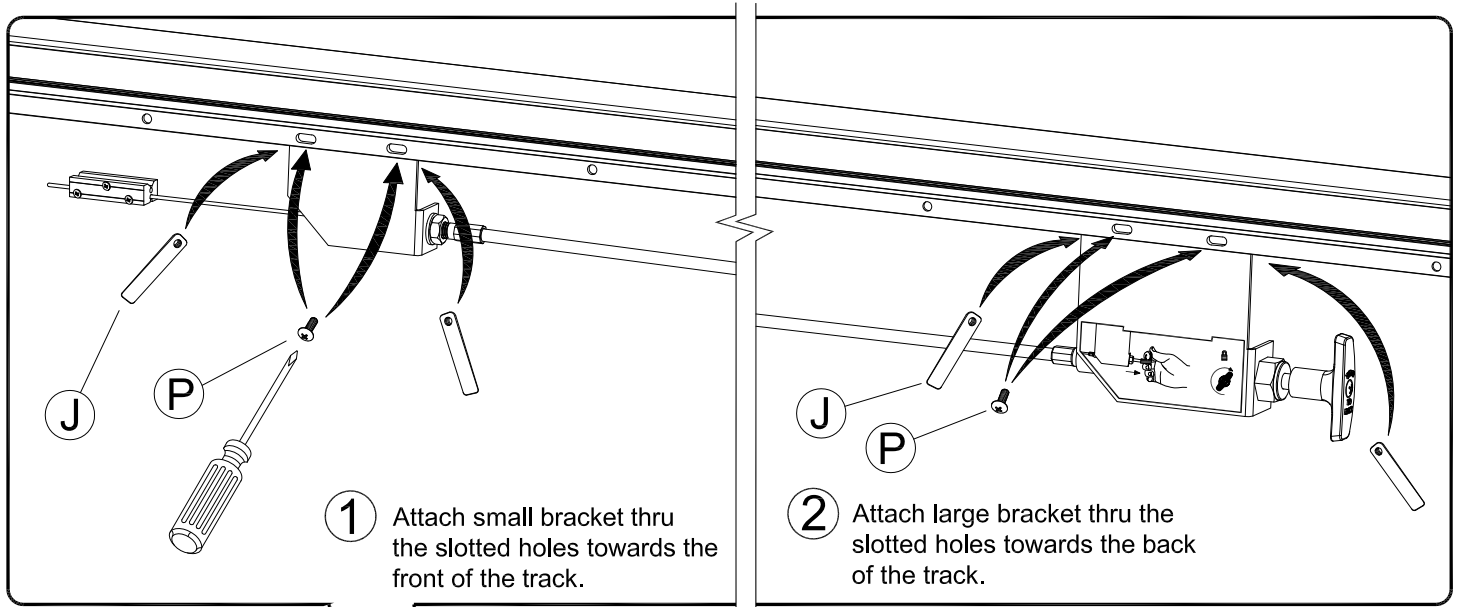
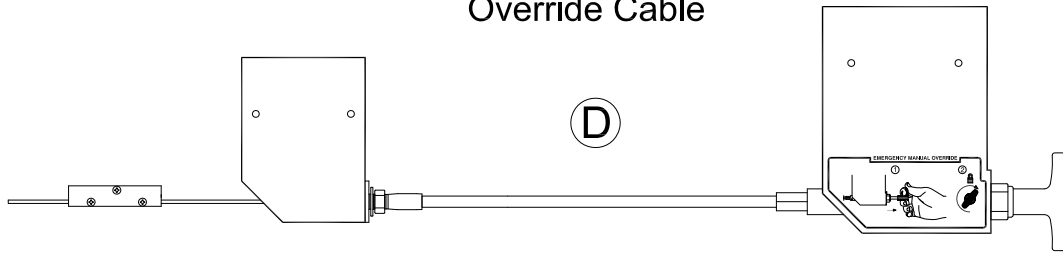
- Push the small left button to turn light on.
- Push the small left button to turn light off.
- Light will automatically turn off in 3 minutes.





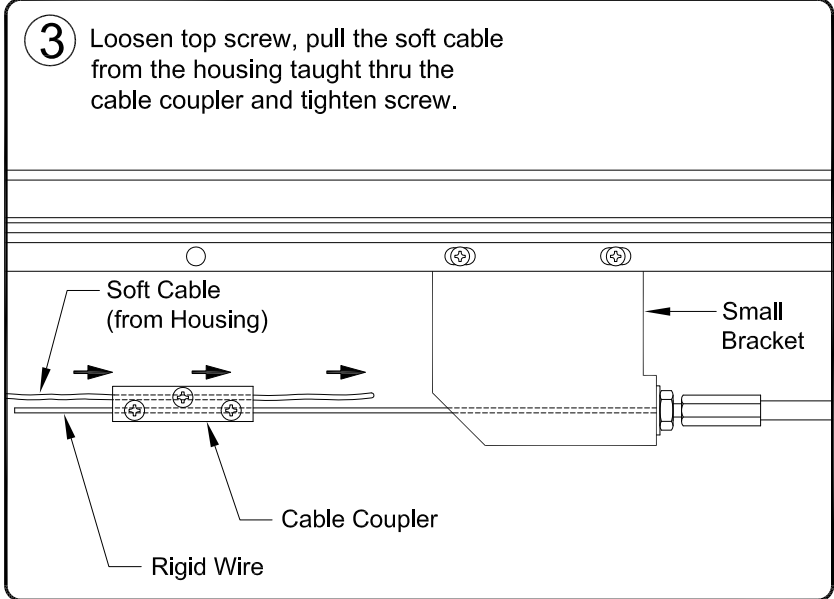
Make sure the Drain Tubes are **NOT** aligned with or through the Cab Vents.

# Override Cable



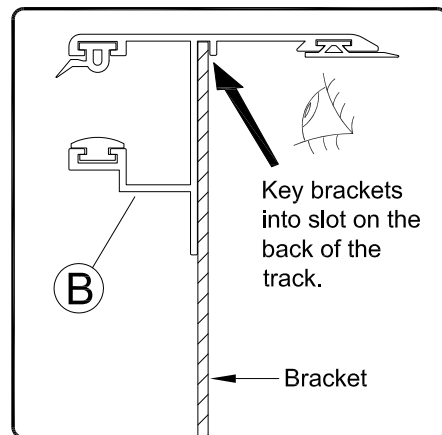
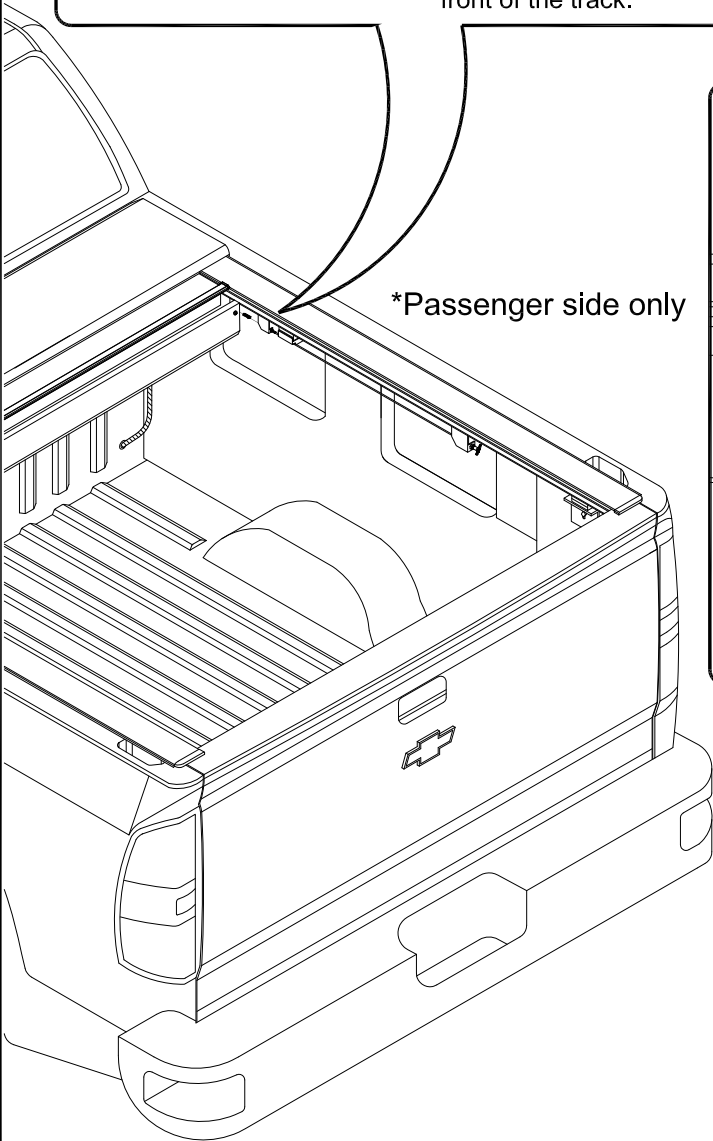
**1** Attach small bracket thru the slotted holes towards the front of the track.

**2** Attach large bracket thru the slotted holes towards the back of the track.



**3** Loosen top screw, pull the soft cable from the housing taught thru the cable coupler and tighten screw.

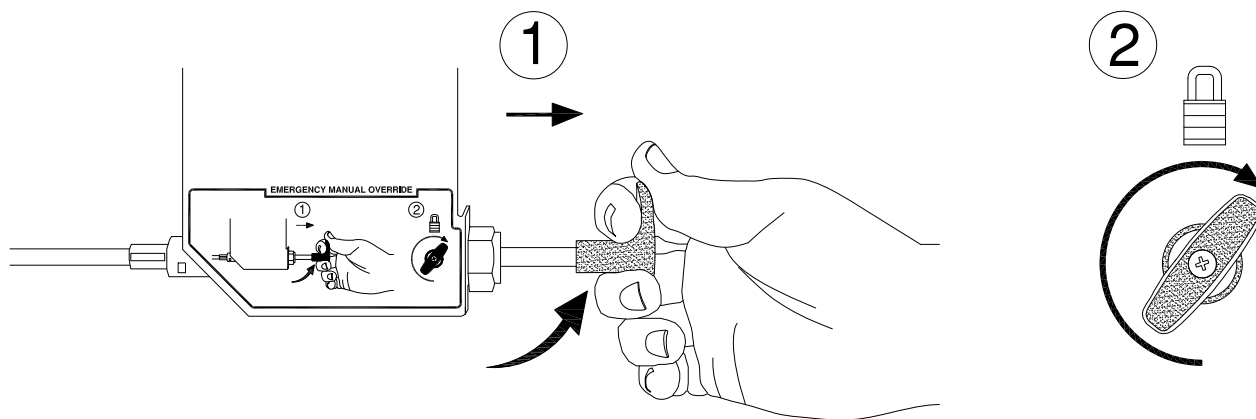
\*Passenger side only



Key brackets into slot on the back of the track.

## Operating the override:

- Use only when the cover is not operating remotely.
- Pull the lever and turn to lock in place, the cover will operate manually.
- Unlock the lever and push back to lock cover.



**ROLL•N•LOCK®**

Any questions please call Roll•N•Lock  
Customer Service at 800-952-7655 or [rollnlock.com](http://rollnlock.com)