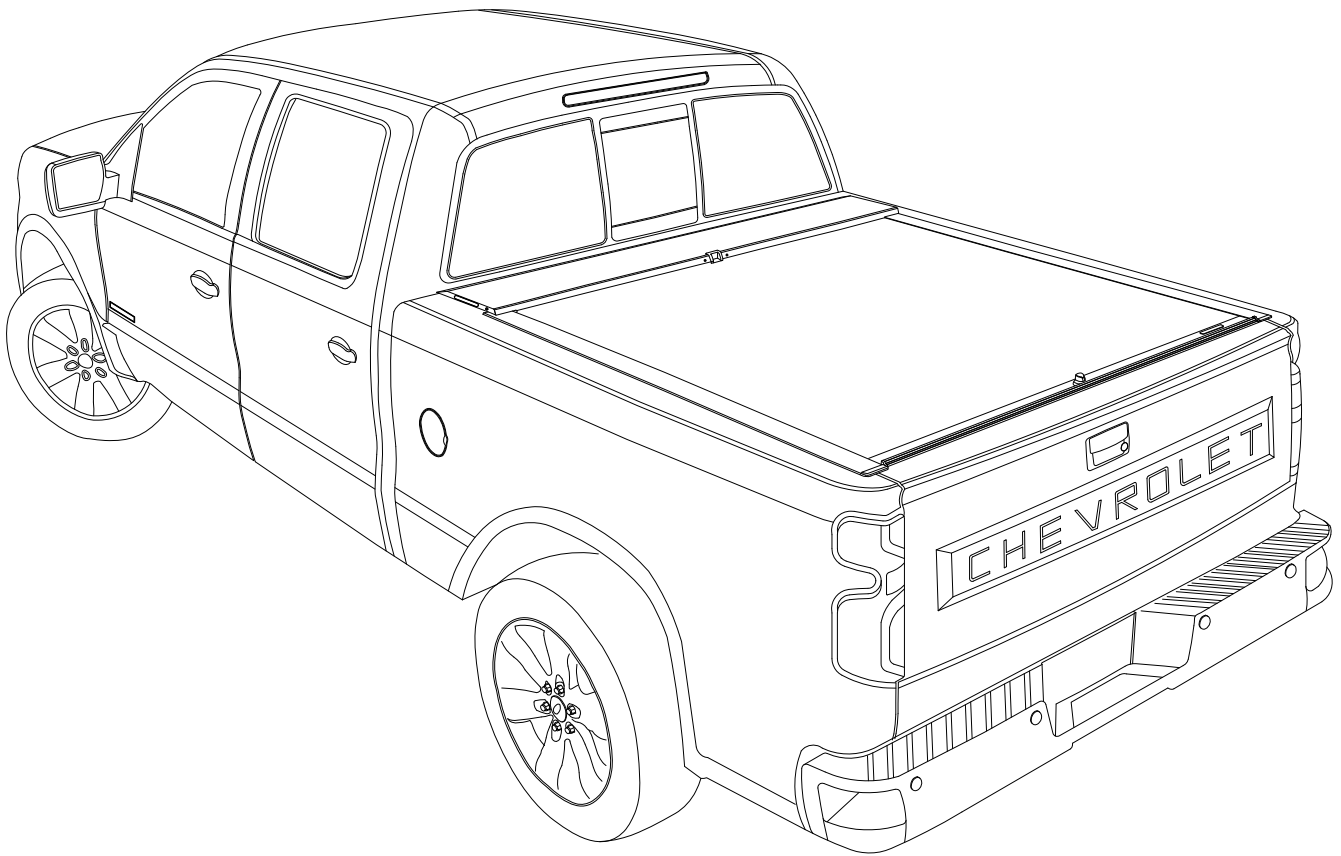




Installation Guide
2019 Chevrolet Silverado / GMC Sierra
with Multi-Pro Step option



Product Code
223-224-225-226



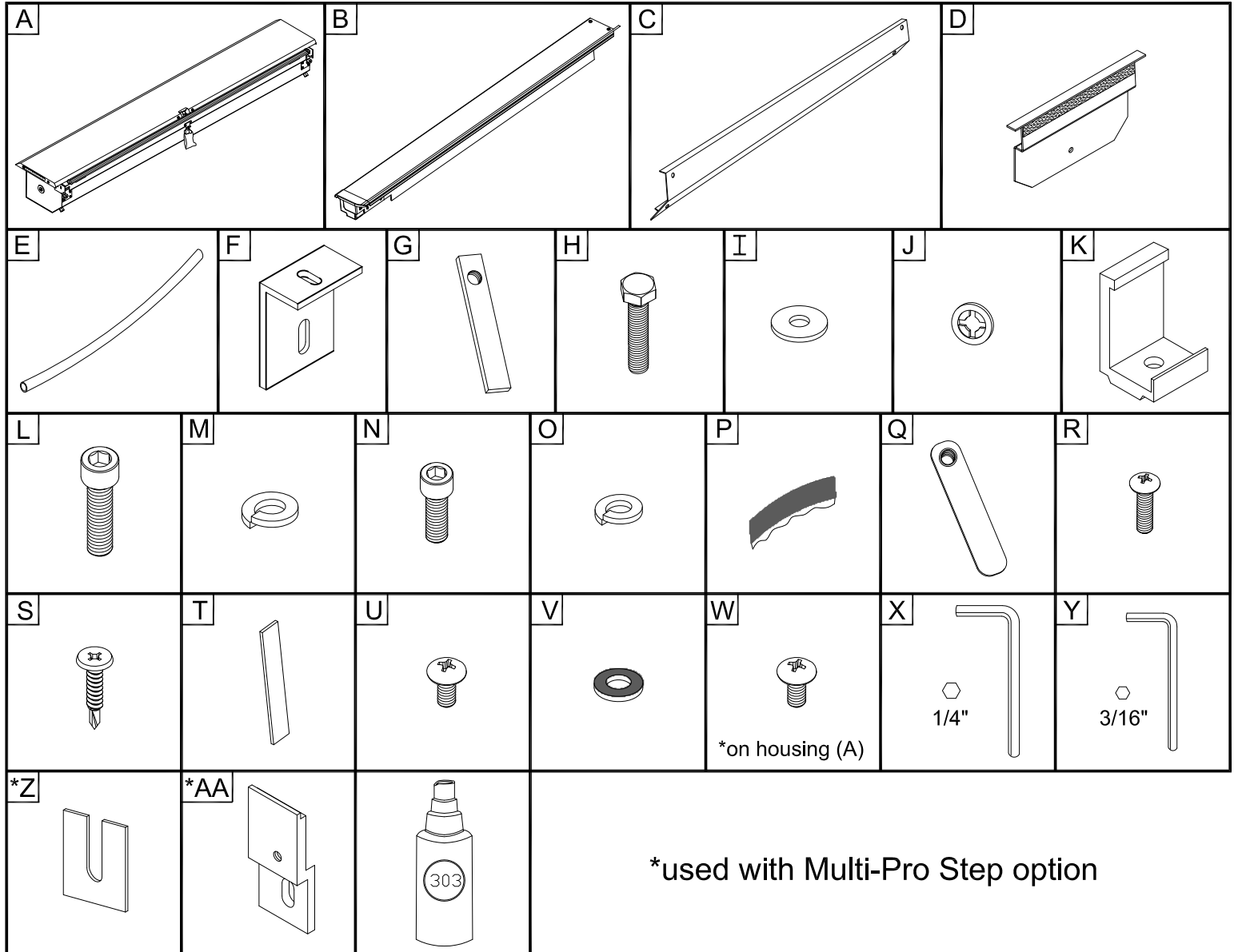
Caution



This Tonneau Cover may retract to the full open position very quickly resulting in any objects placed on top of the Tonneau Cover to fall off the Tonneau or become trapped inside of the Tonneau carrier. Do not place ANY objects on top of the Tonneau Cover when attempting to close. Failure to follow the instruction may result in damage to your vehicle, belongings or Tonneau Cover. To avoid injury keep all body parts clear of Tonneau Cover and carrier when opening.

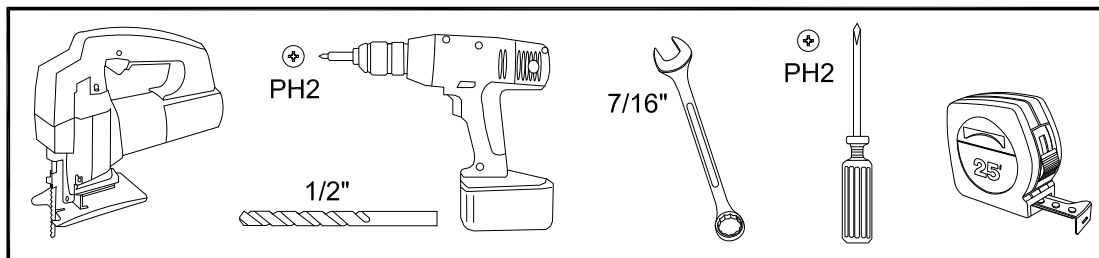
Parts List

Item	Part Name	Qty.	Item	Part Name	Qty.	Item	Part Name	Qty.
A	Housing	1	J	Nylon Retaining Washer	4	S	#8 x 3/4" Self Tap Screw	2
B	Track	2	K	Bed Clamp	4/6	T	Shim	4
C	Cargo Shield	1	L	5/16" Socket Cap Screw	4/6	U	1/4-20 x 3/8" Screw	4
D	Housing Bracket	2	M	5/16" Lock Washer	4/6	V	Black Rubber Washer	4
E	Drain Tube	2	N	1/4" Socket Cap Screw	2	W	1/4" Lid Screw	2
F	Track Bracket	2	O	1/4" Lock Washer	2	X	Allen Wrench (1/4")	1
G	Threaded Tang	4	P	Butyl Caulk Strip	2	Y	Allen Wrench (3/16")	1
H	1/4-20 x 1" Bolt	4	Q	Cargo Nut	2	*Z	Track Bracket Shim	2
I	1/4" Flat Washer	6	R	#10-24 Screw	2	*AA	Track Clamp for Step	1
							303 Protectant™	1

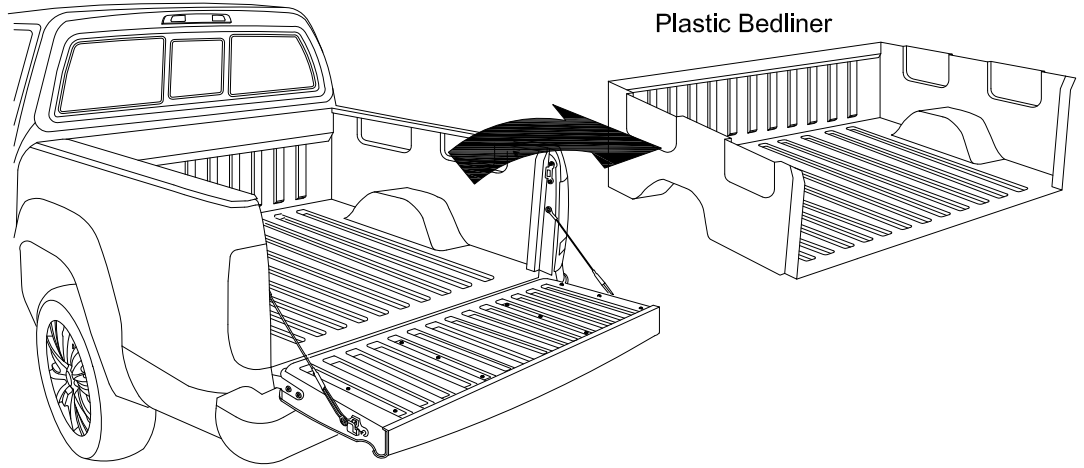


*used with Multi-Pro Step option

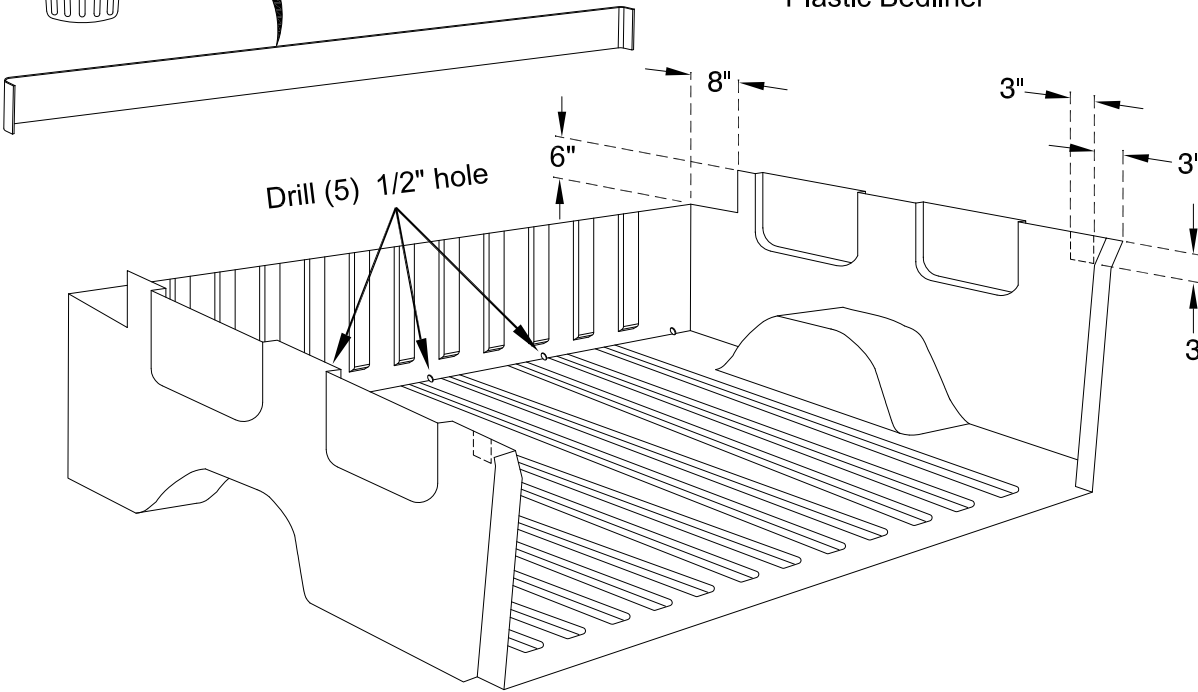
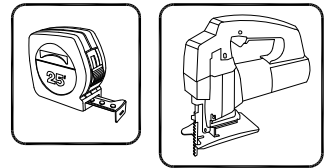
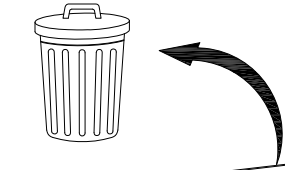
Tools Needed



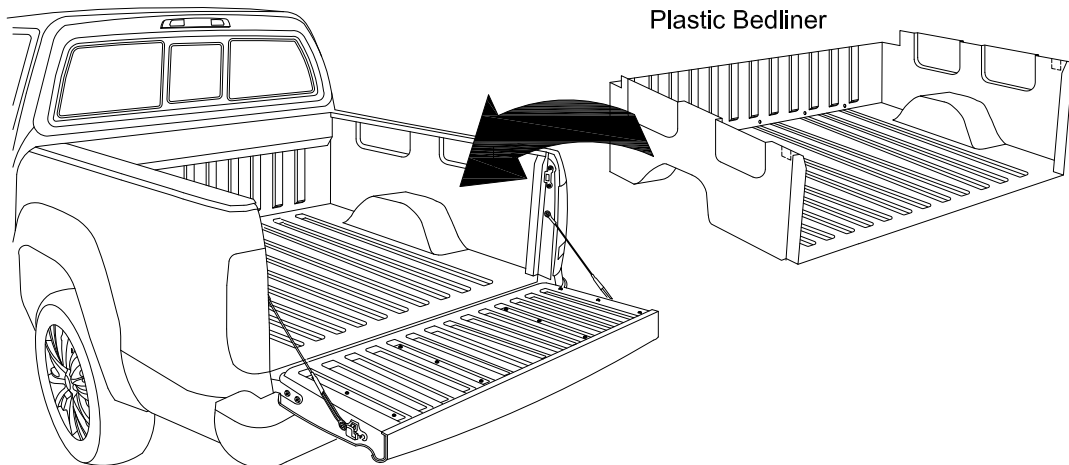
1a If no plastic bedliner present proceed to page 5



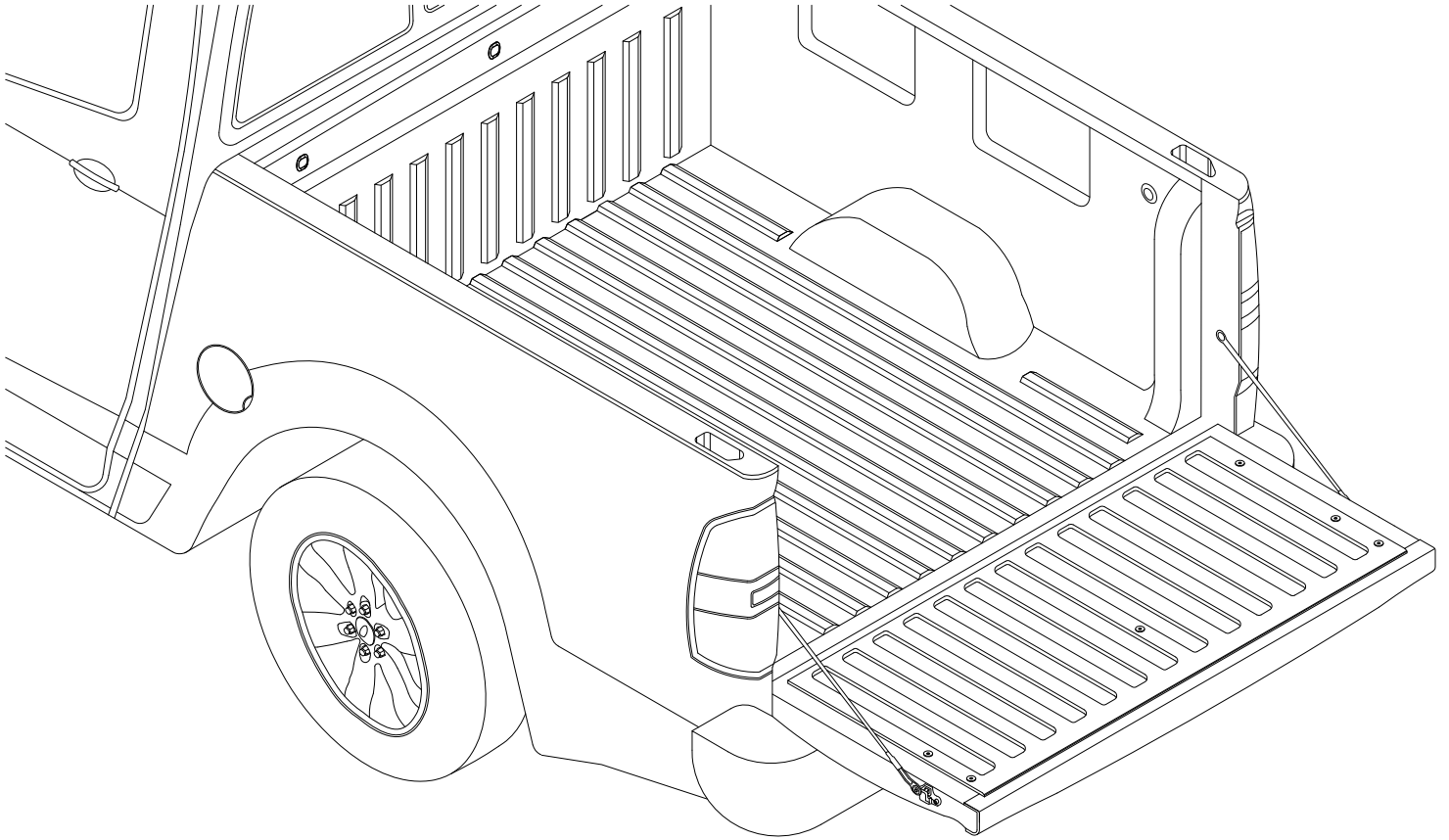
1b



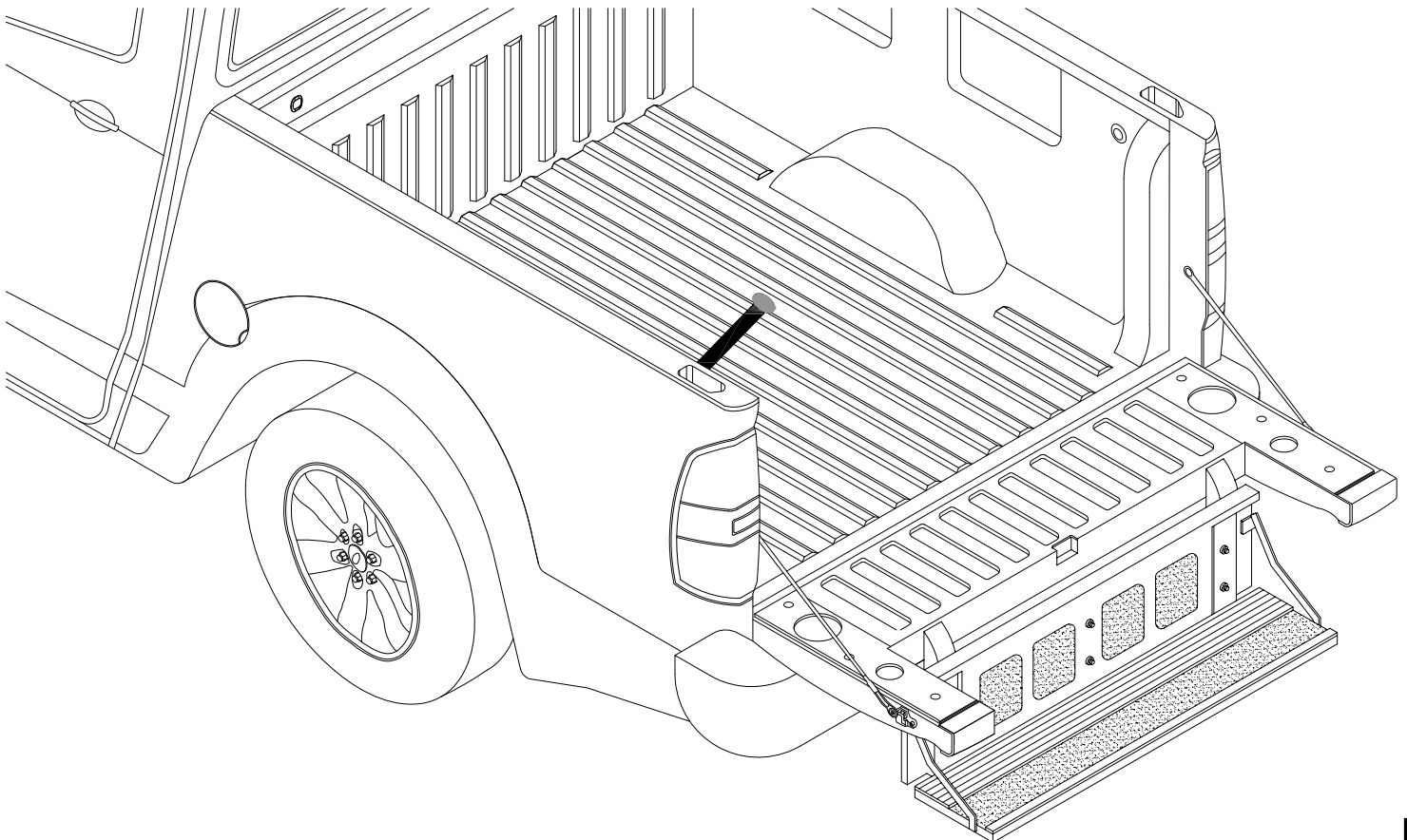
1c



IF TRUCK IS **NOT** EQUIPPED WITH THE MULTI-PRO
STEP PROCEED WITH PAGES 6-15

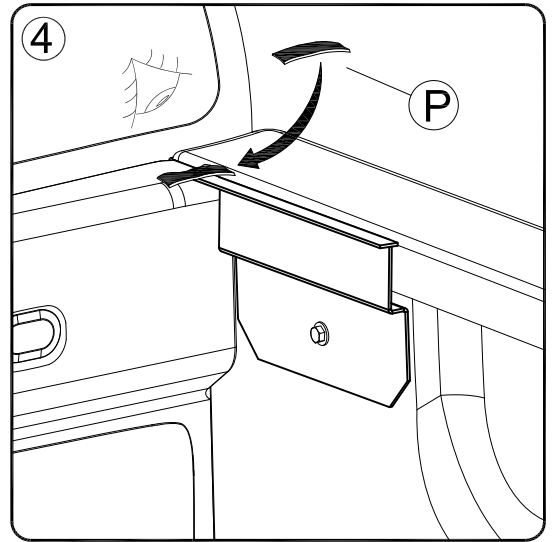
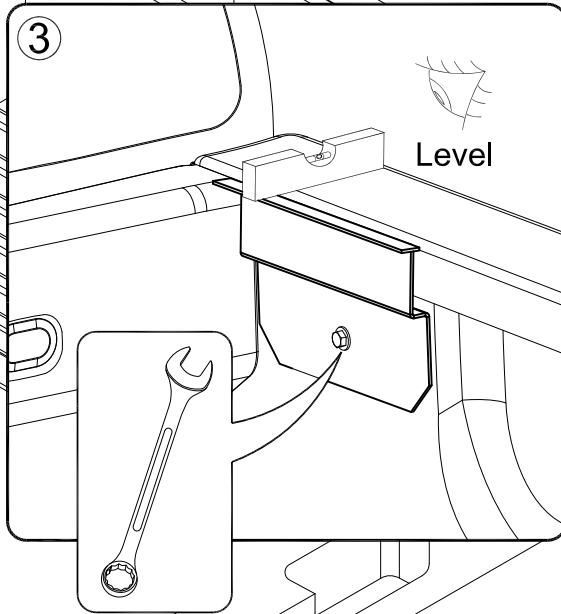
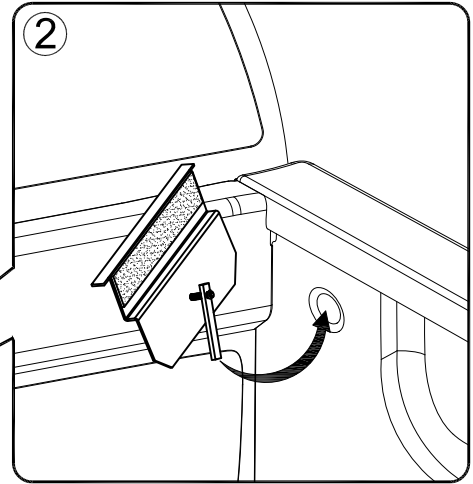
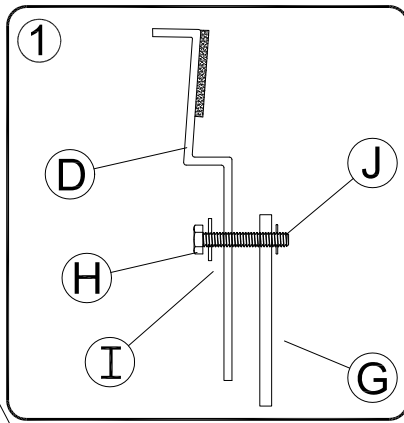


IF TRUCK **IS** EQUIPPED WITH THE MULTI-PRO STEP
PROCEED TO PAGES 16-27



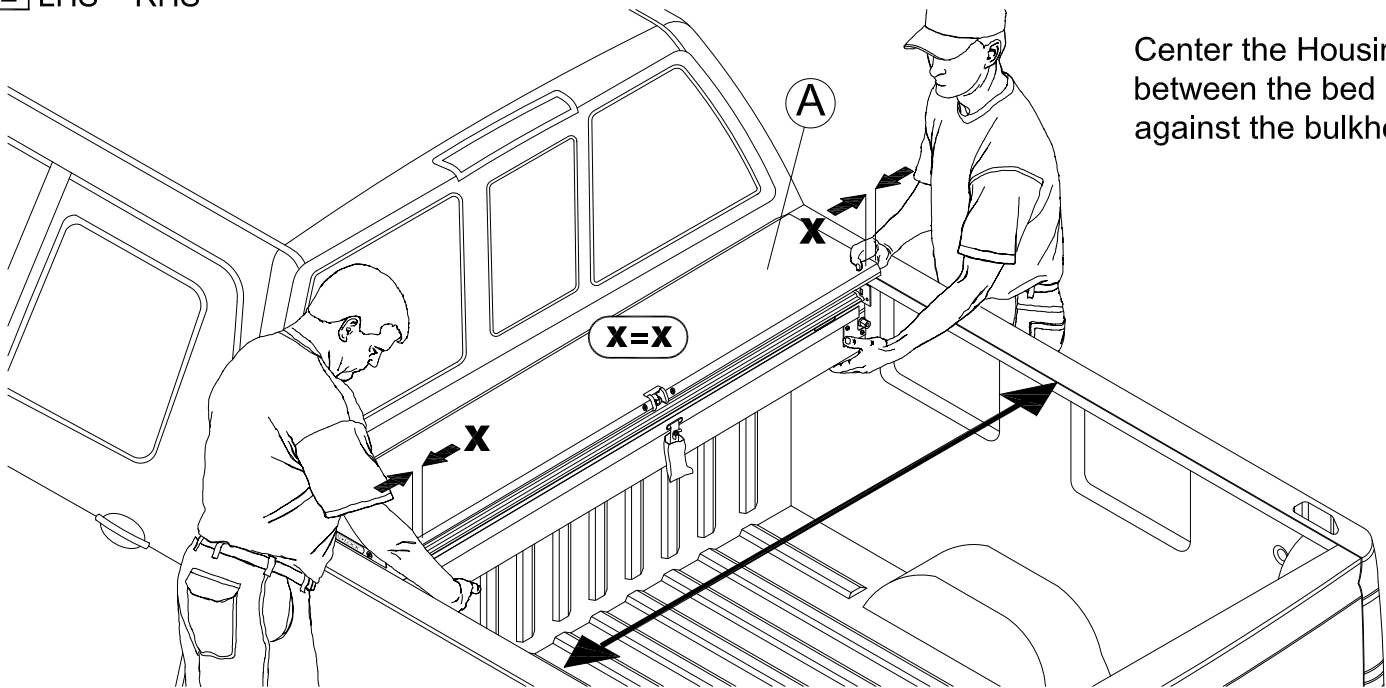
1 LHS = RHS

Assemble the Housing Bracket (D), insert as shown, level and tighten.



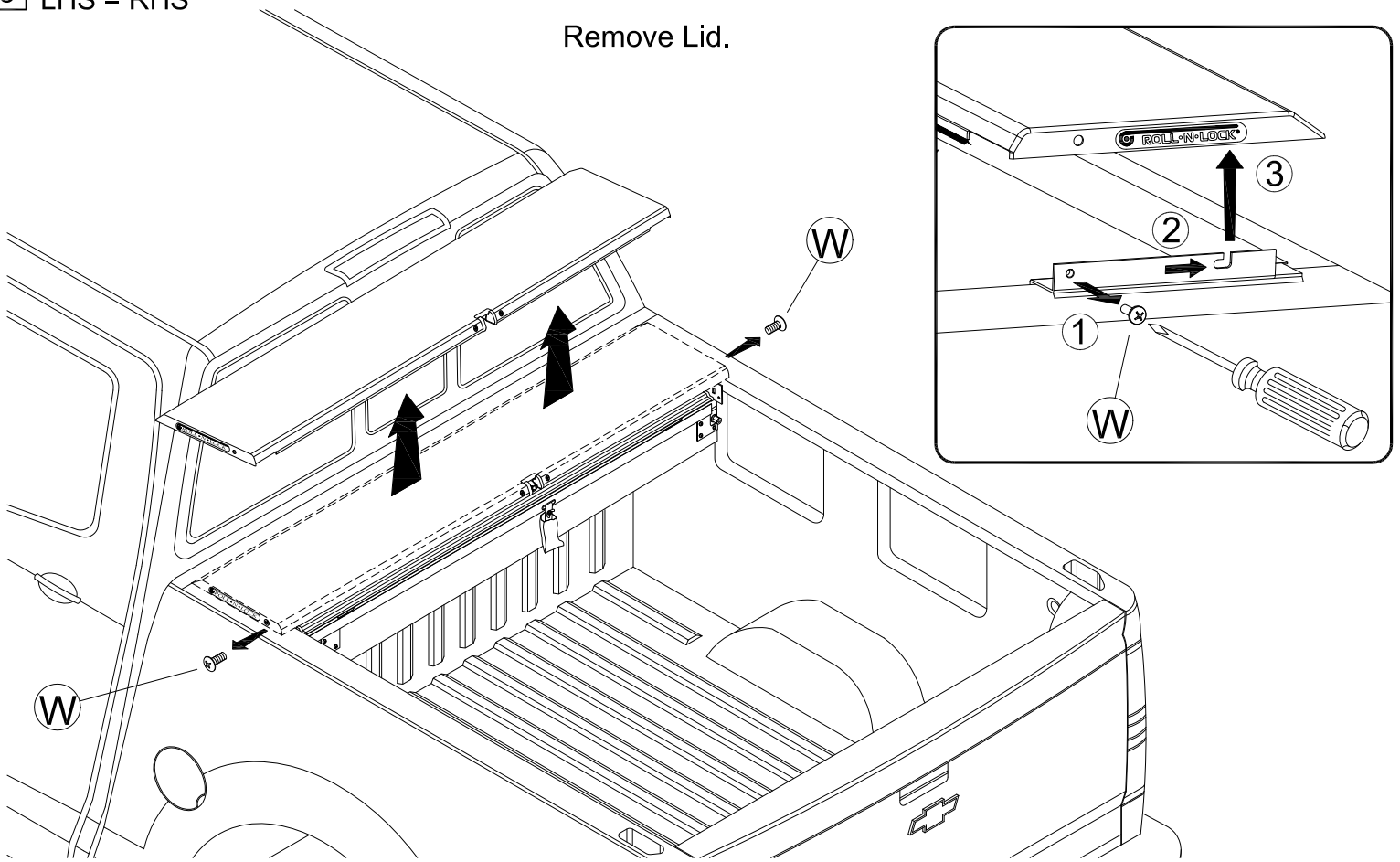
2 LHS = RHS

Center the Housing (A) between the bed rails up against the bulkhead.



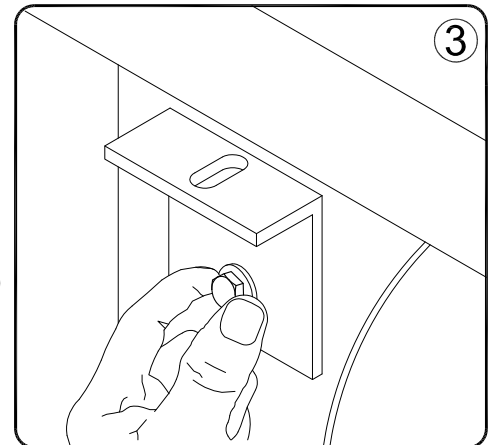
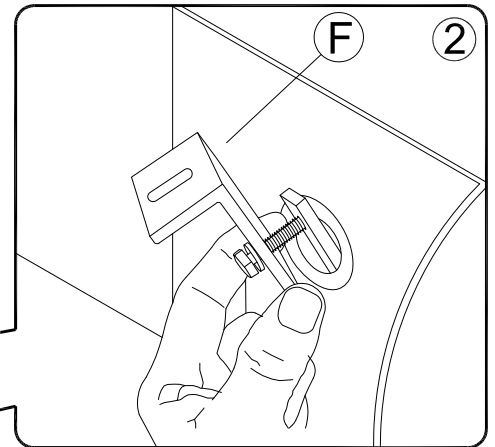
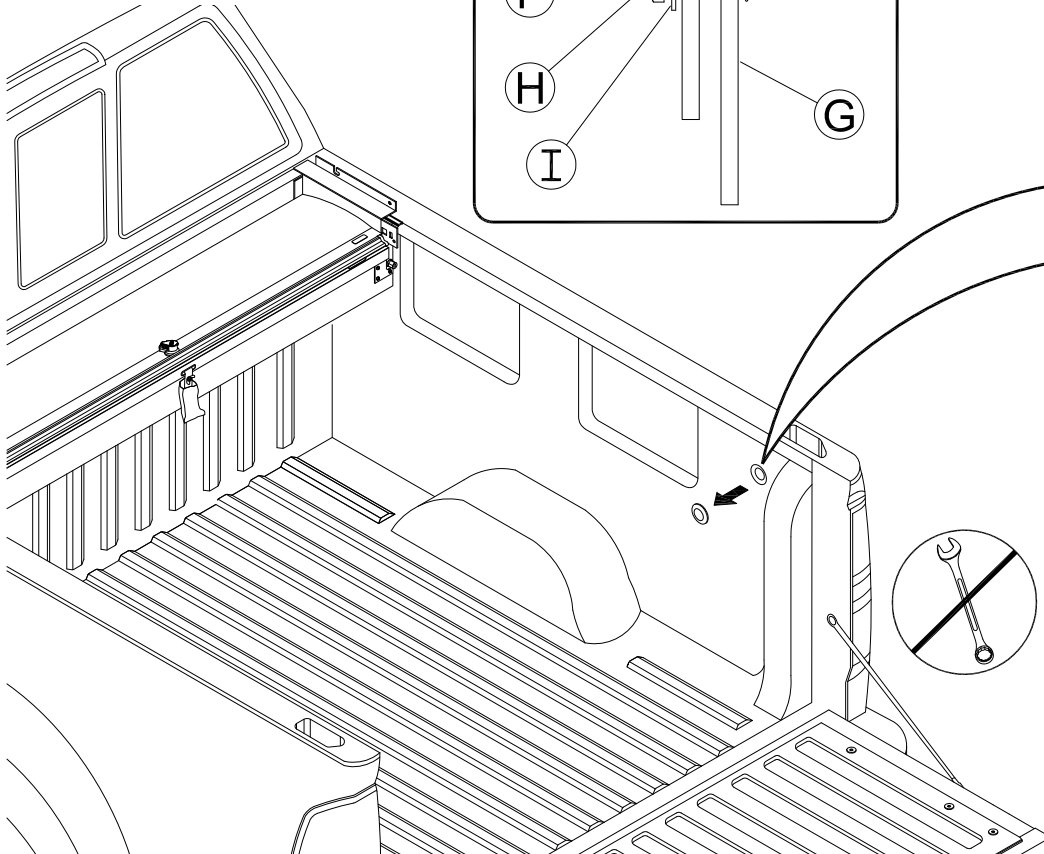
3 LHS = RHS

Remove Lid.



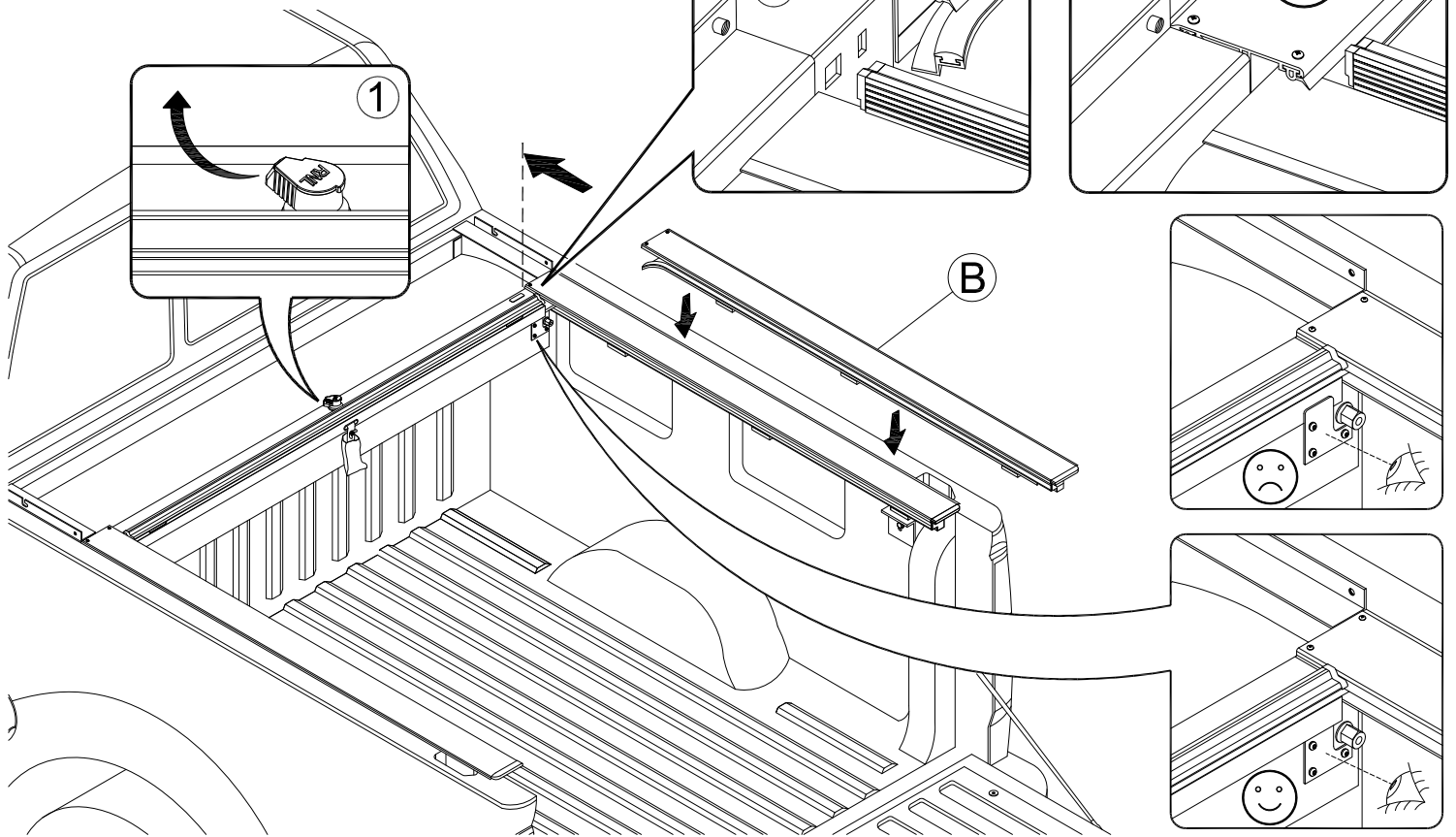
4 LHS = RHS

Assemble the track bracket (F), insert as shown and loosely attach.



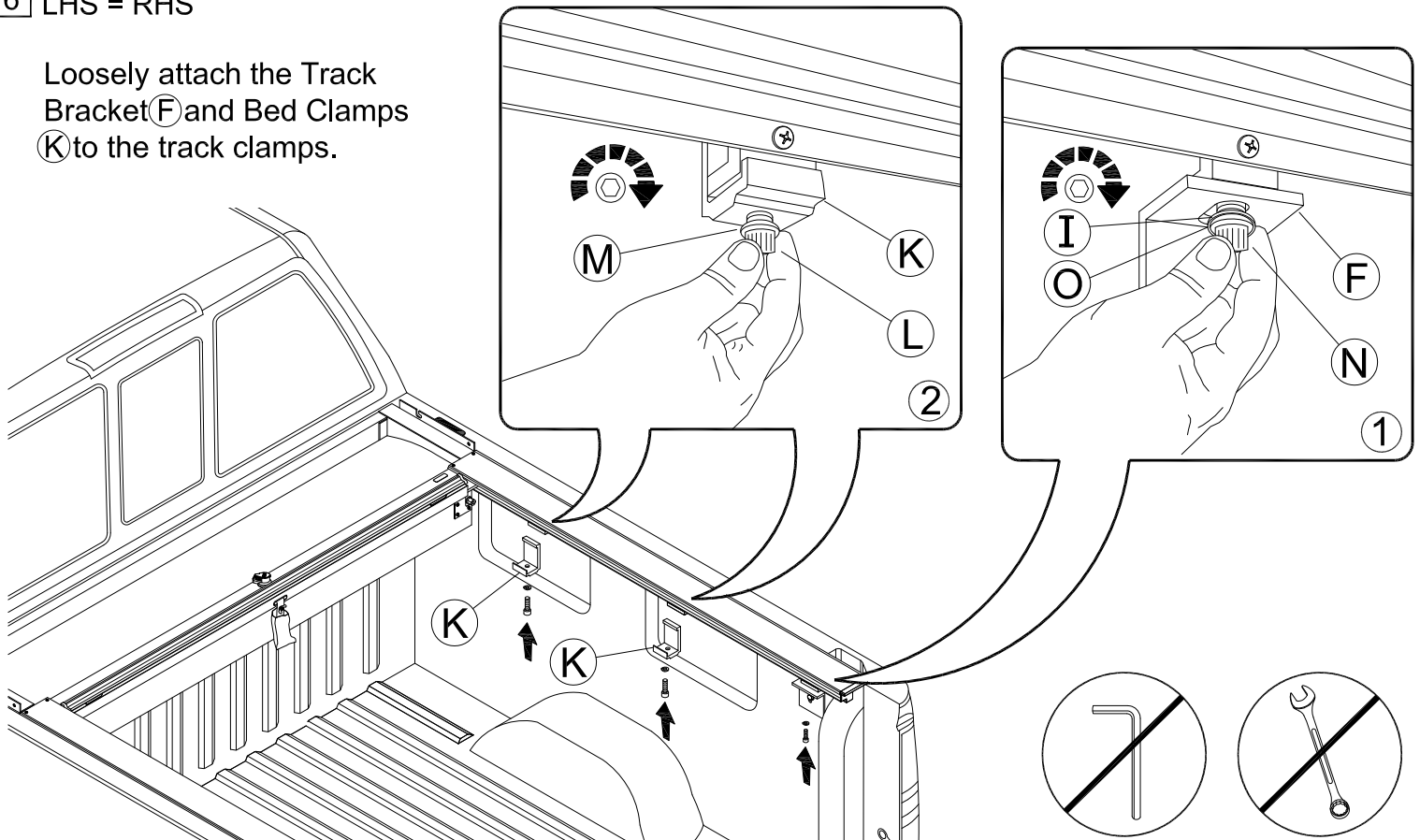
5 LHS = RHS

Turn lock to 10 o'clock, key Tracks[®] B onto housing stems.
Do **not** remove plastic wing nut.

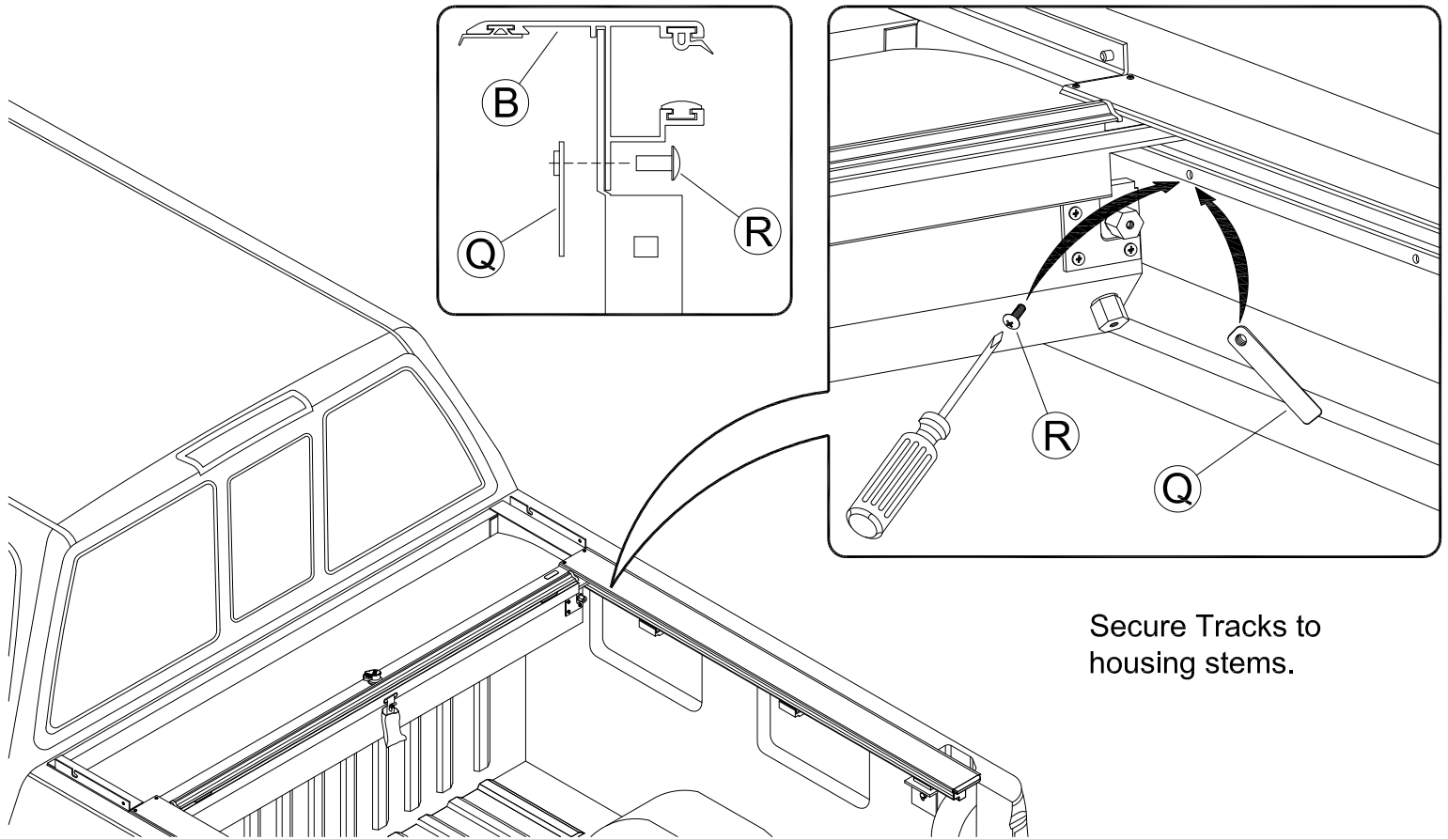


6 LHS = RHS

Loosely attach the Track Bracket F and Bed Clamps K to the track clamps.

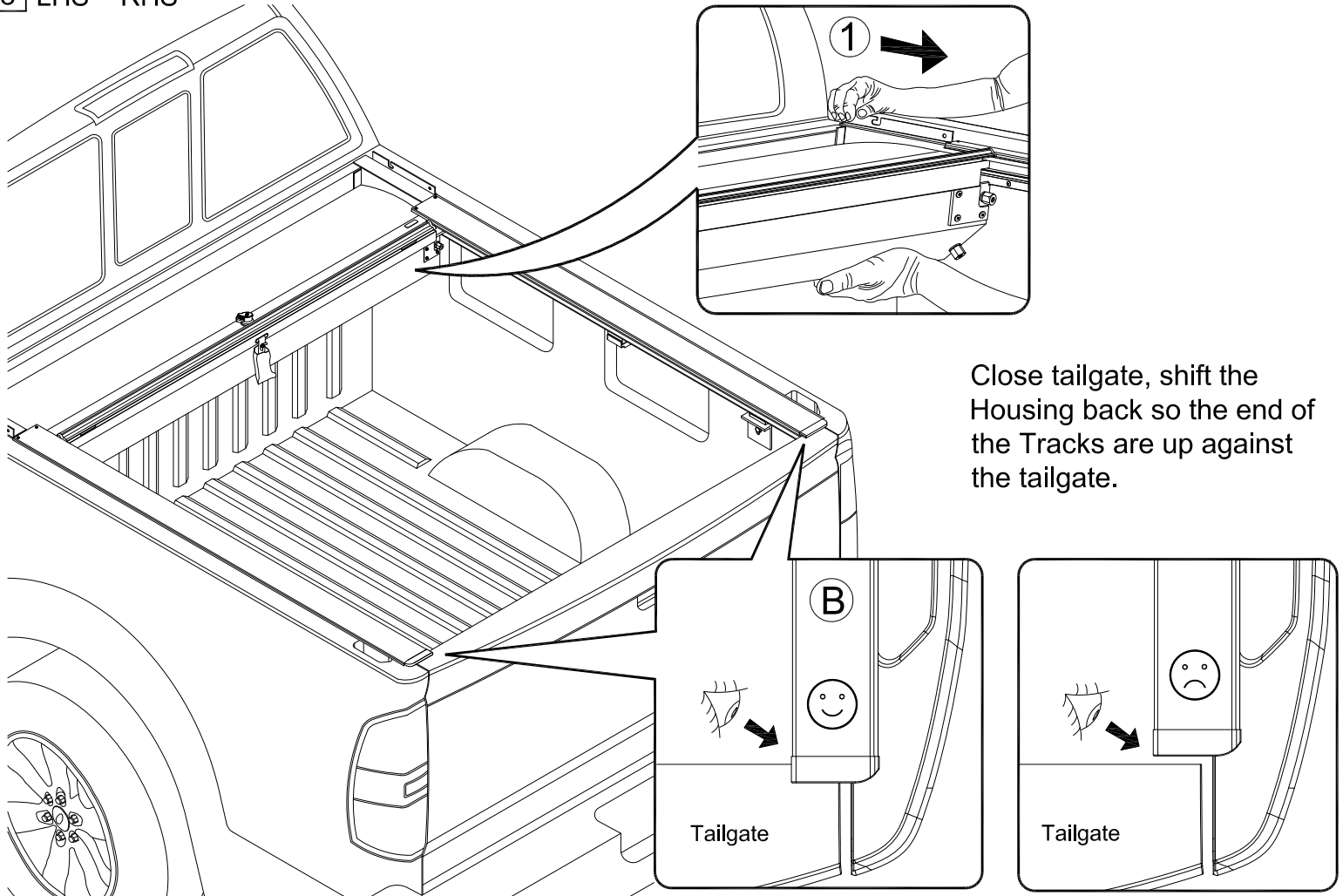


7 LHS=RHS



Secure Tracks to housing stems.

8 LHS = RHS

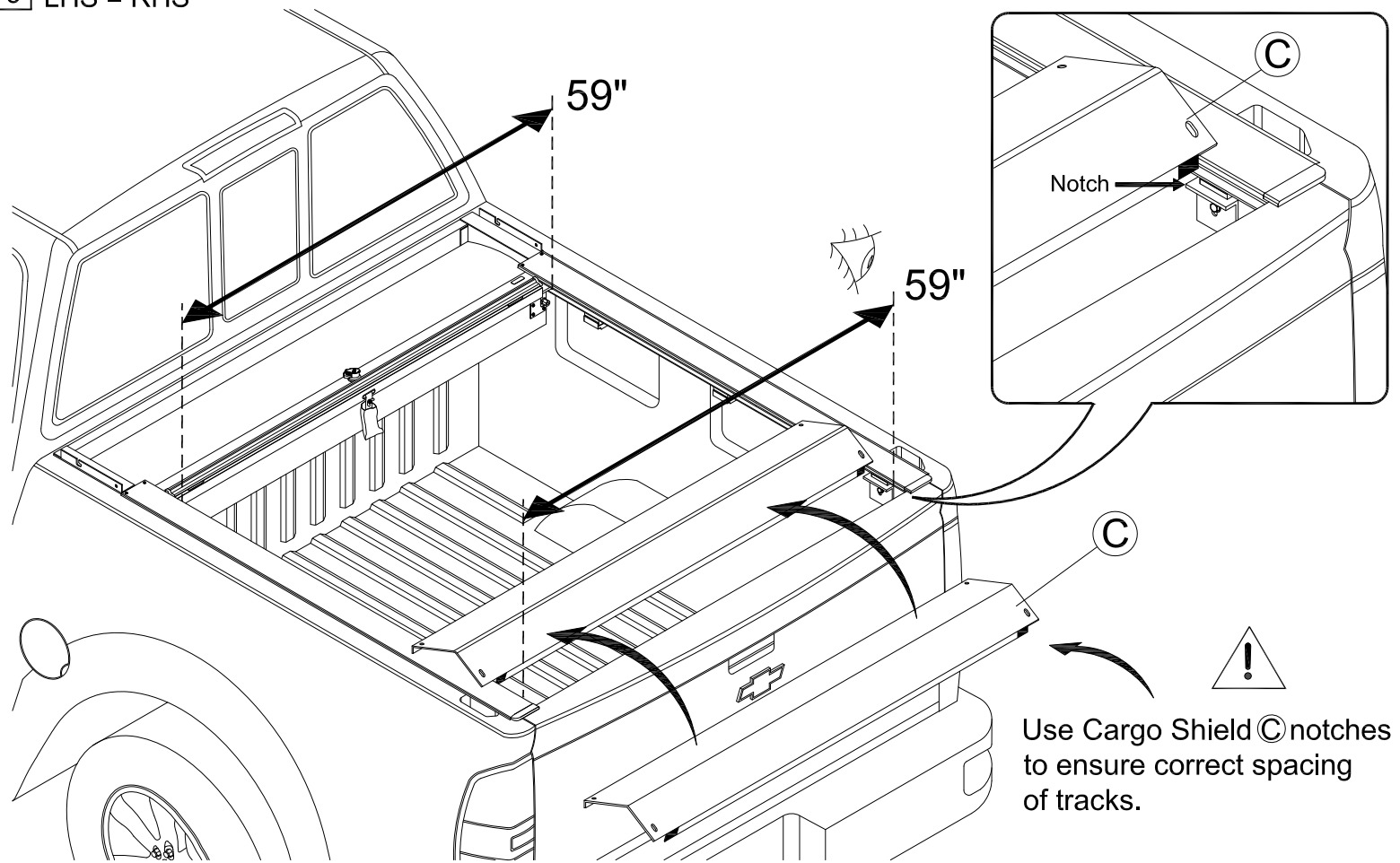


Close tailgate, shift the Housing back so the end of the Tracks are up against the tailgate.

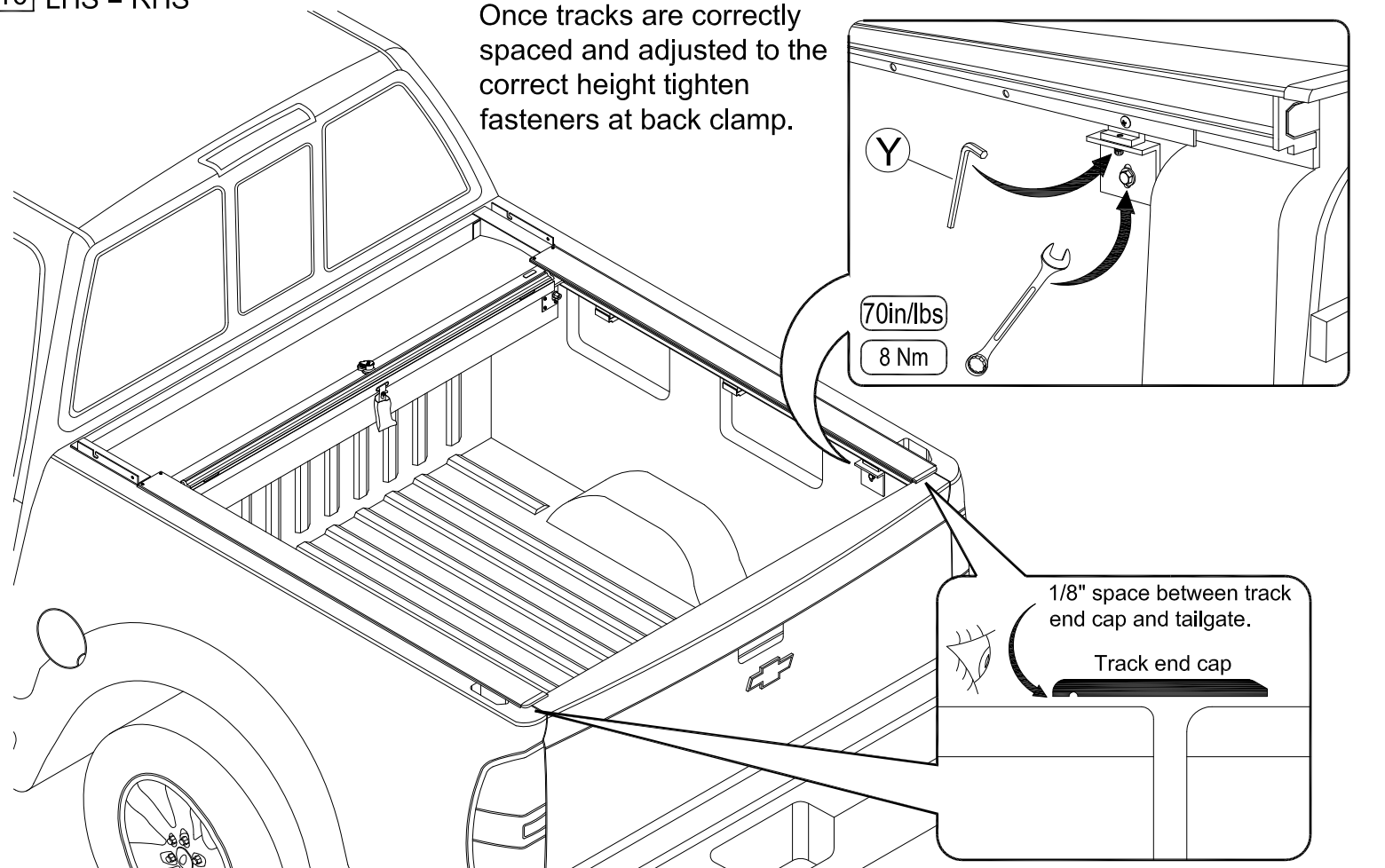
Tailgate

Tailgate

9 LHS = RHS

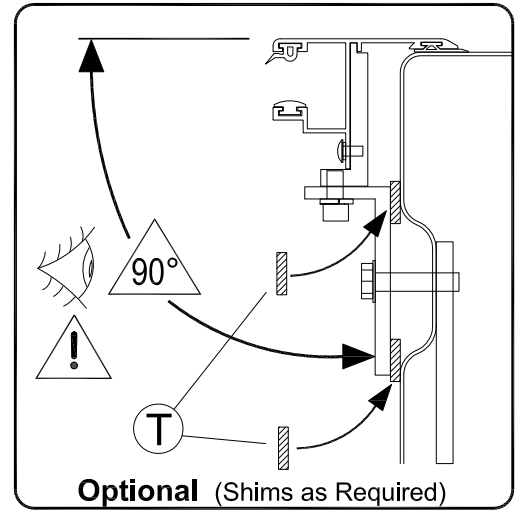
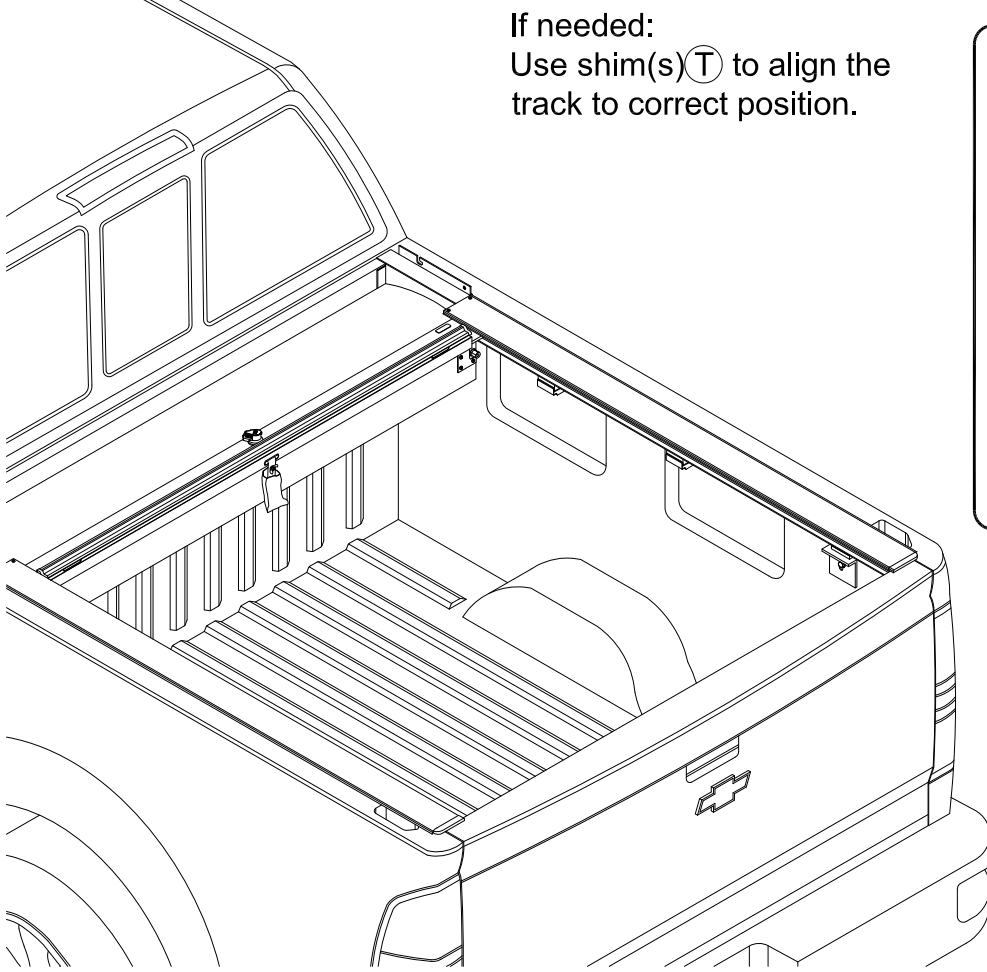


10 LHS = RHS

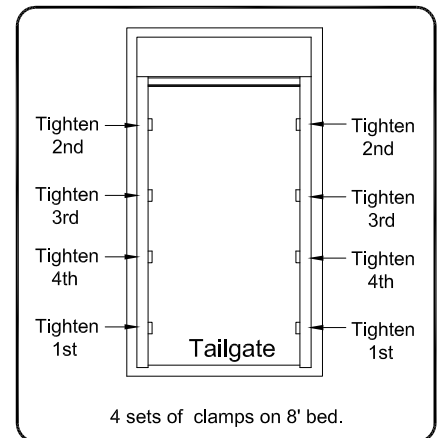
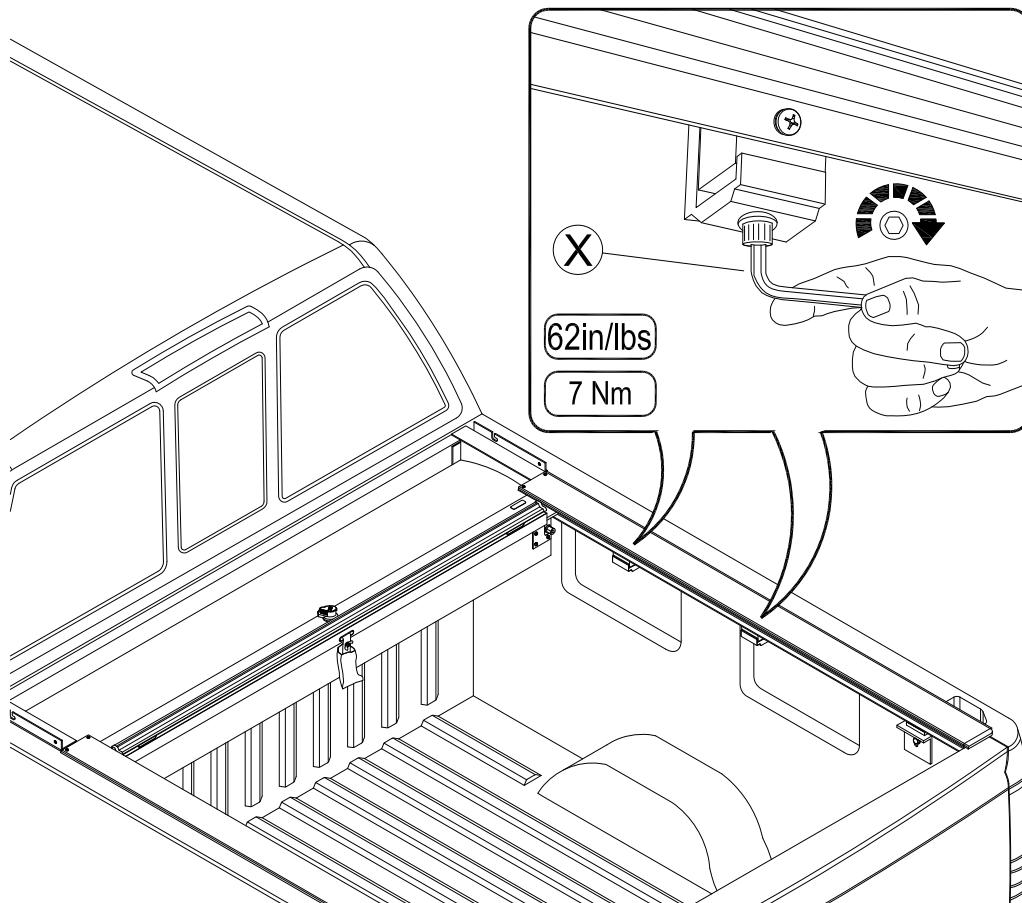


10A LHS = RHS

If needed:
Use shim(s) **T** to align the
track to correct position.



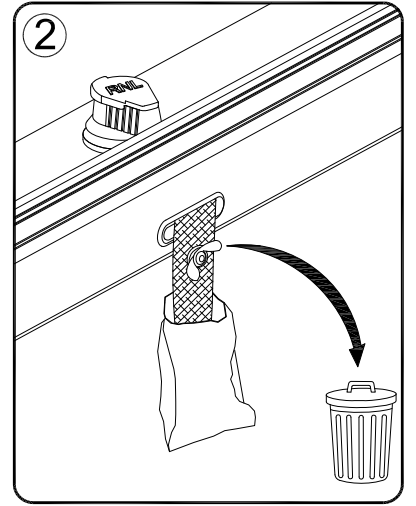
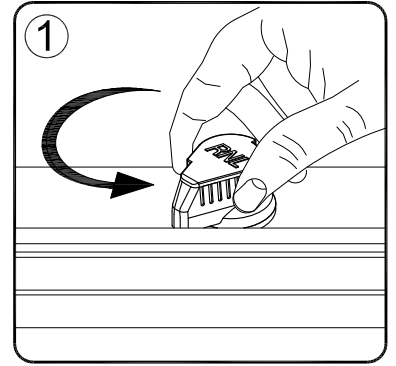
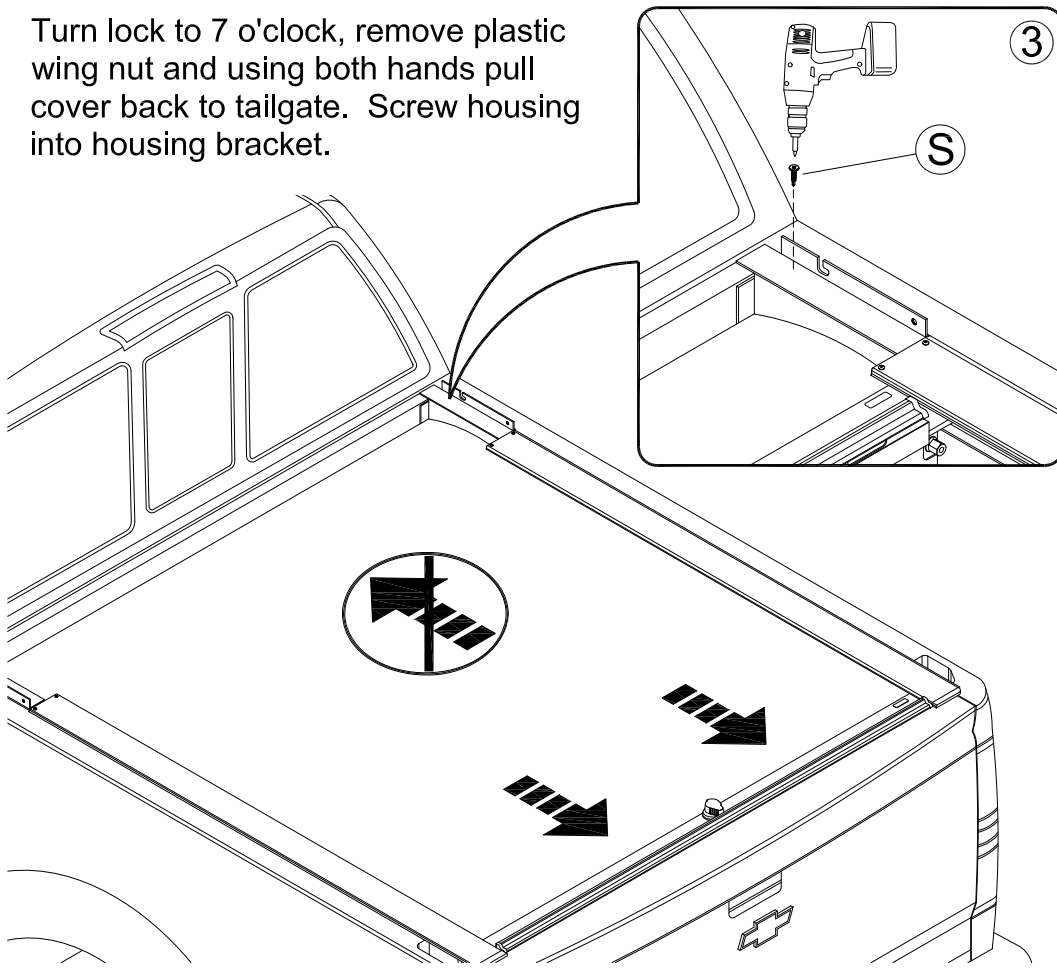
11 LHS = RHS



Tighten bed clamps to the
track clamps. Note: When
tight there may be a gap
between the clamps, do not
overtighten.

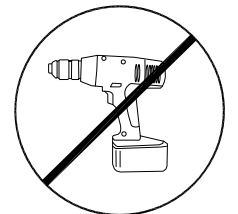
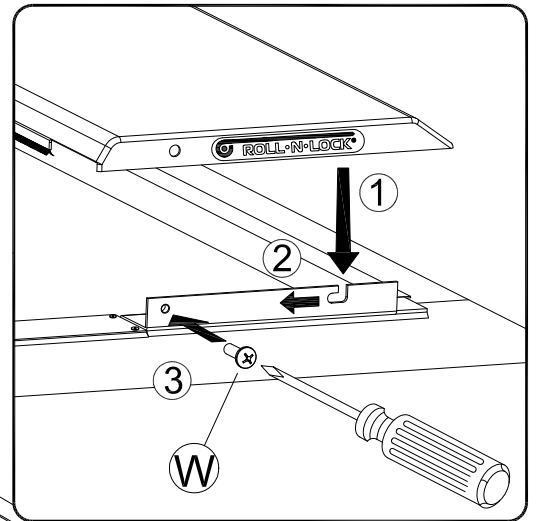
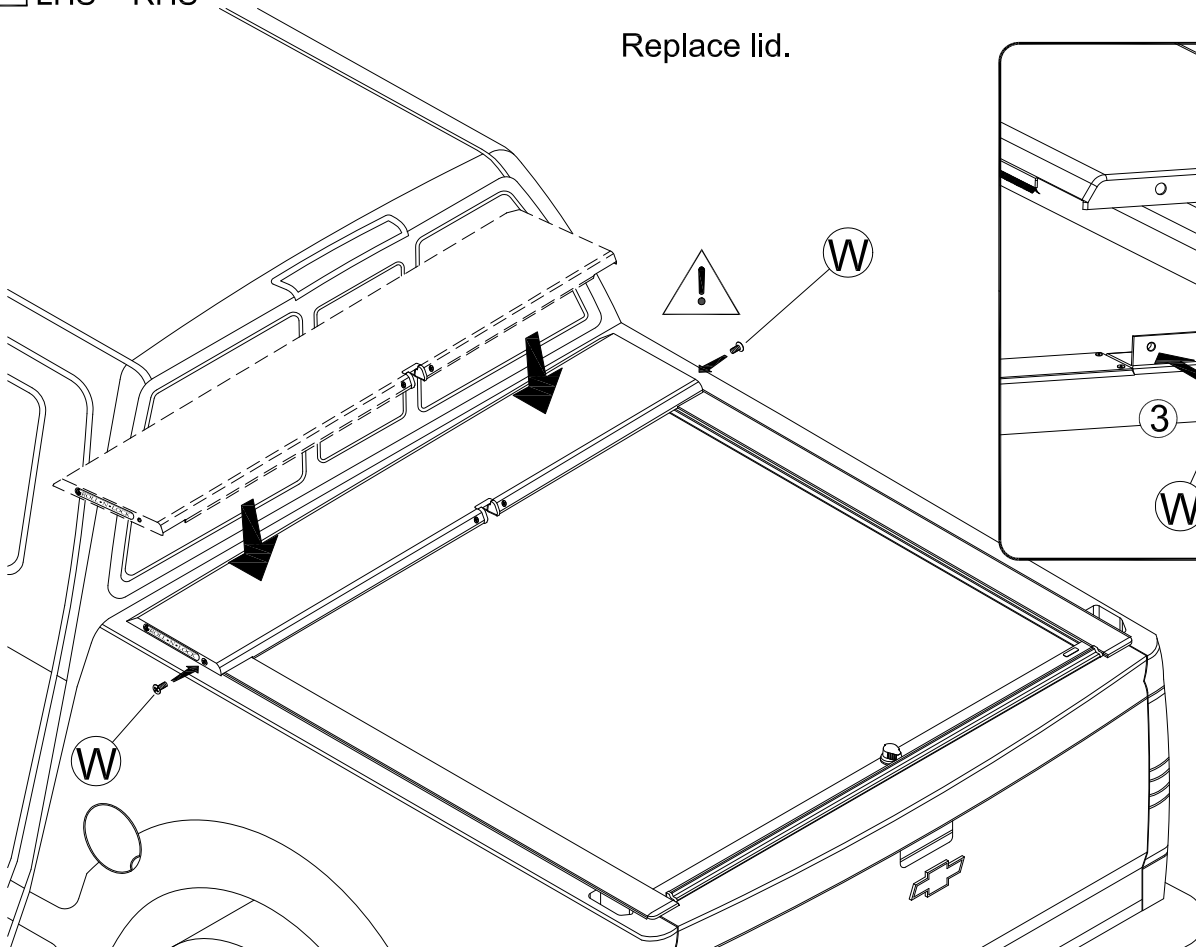
12 LHS = RHS

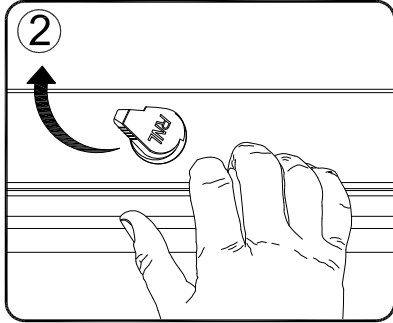
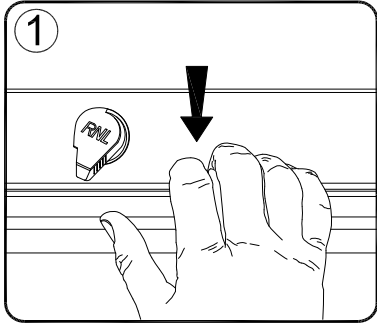
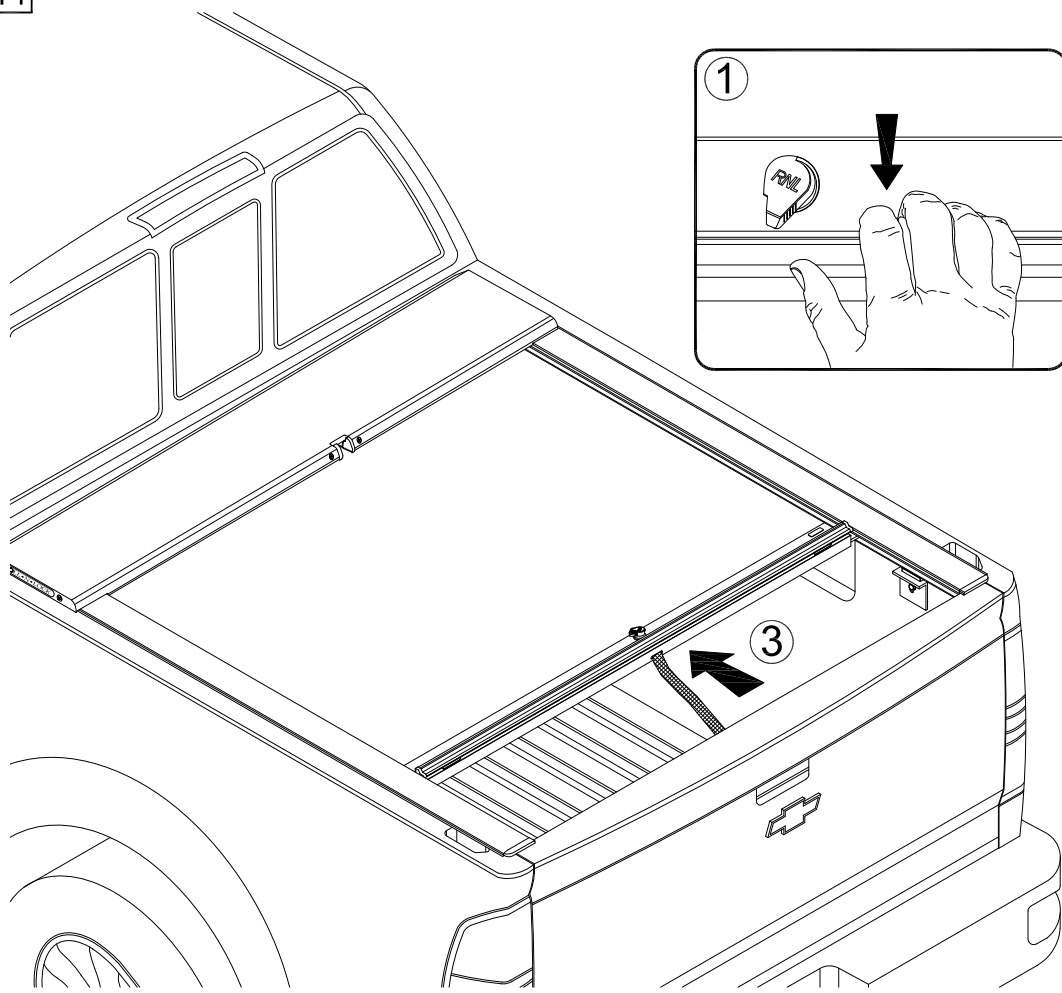
Turn lock to 7 o'clock, remove plastic wing nut and using both hands pull cover back to tailgate. Screw housing into housing bracket.



13 LHS = RHS

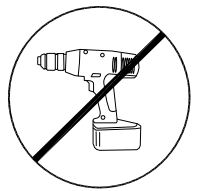
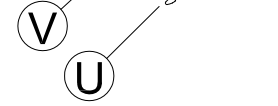
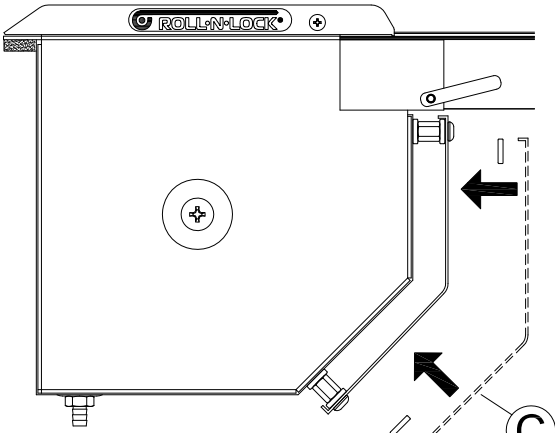
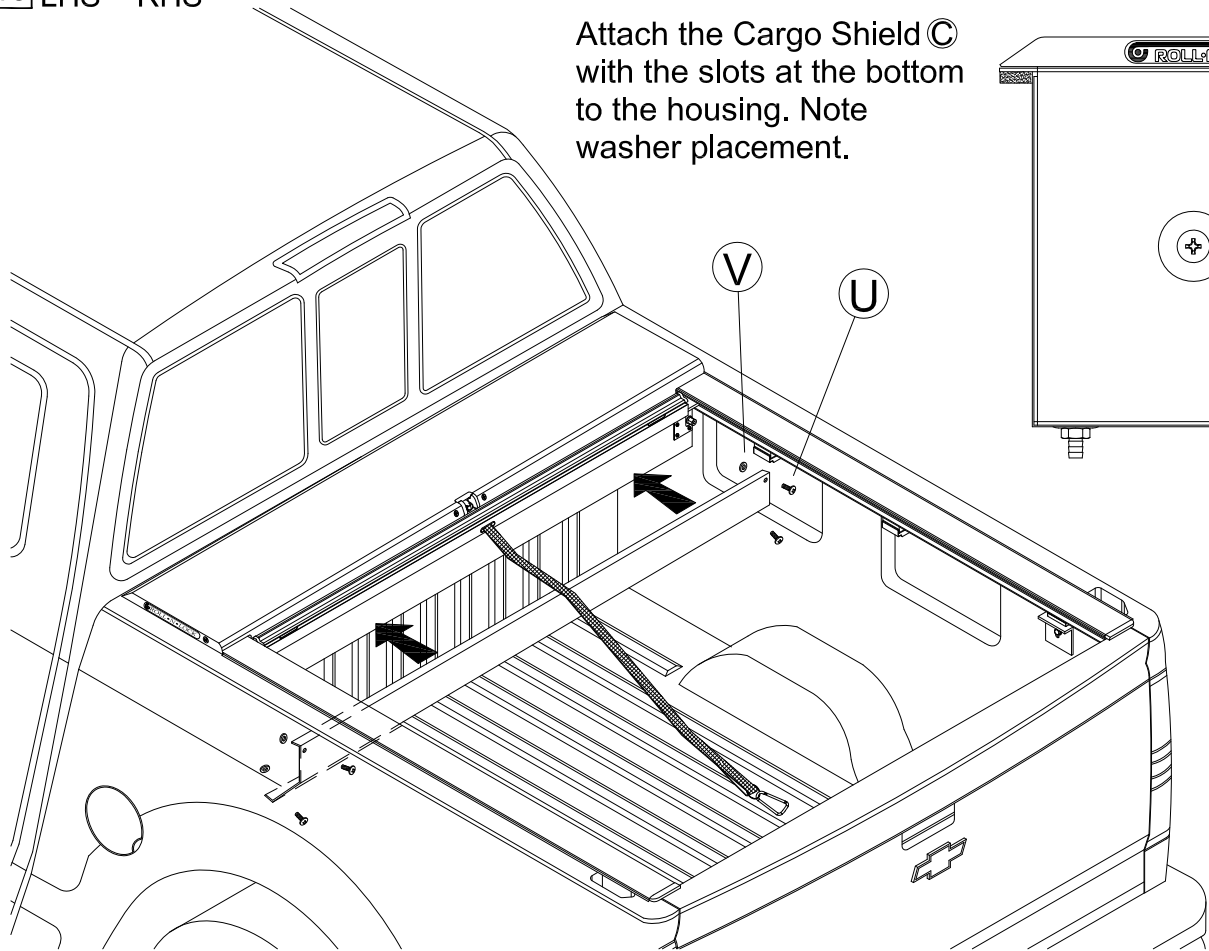
Replace lid.





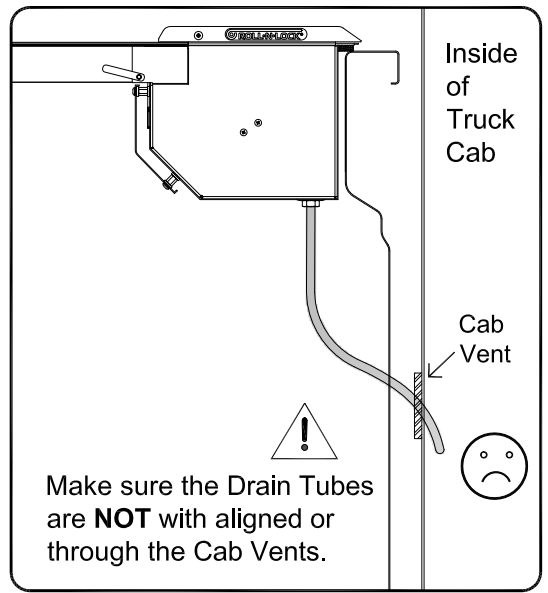
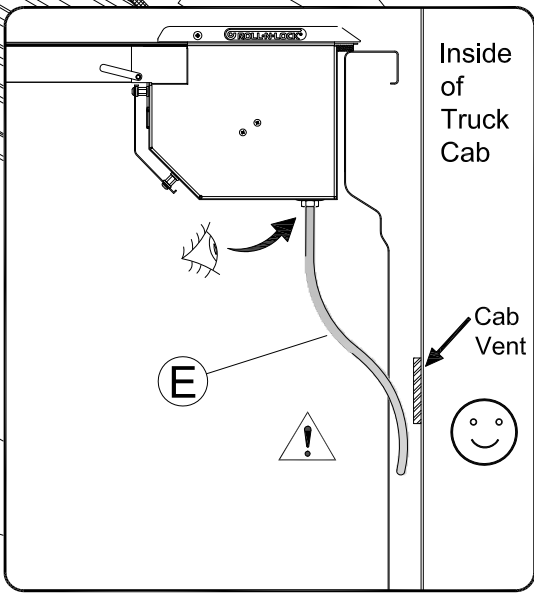
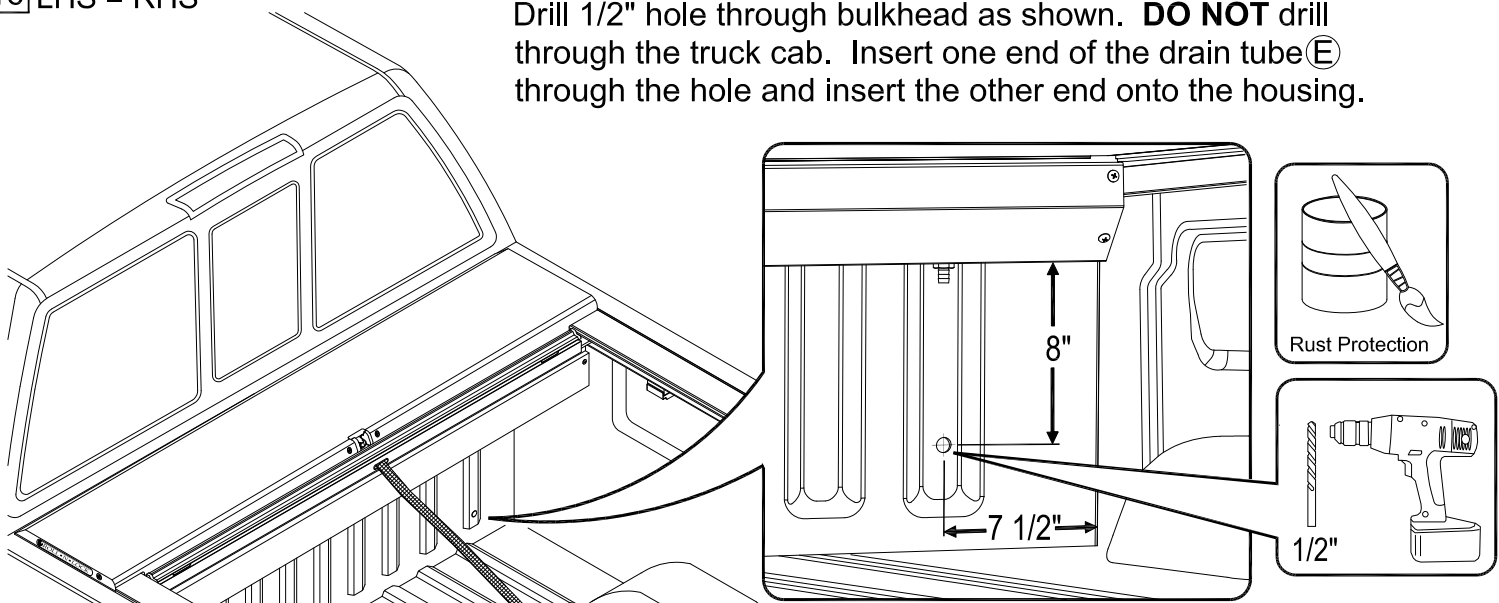
To open cover pull back on the handle, turn the lock to 10 o'clock and let the cover retract into the housing while holding onto the pull strap.

Attach the Cargo Shield **C** with the slots at the bottom to the housing. Note washer placement.



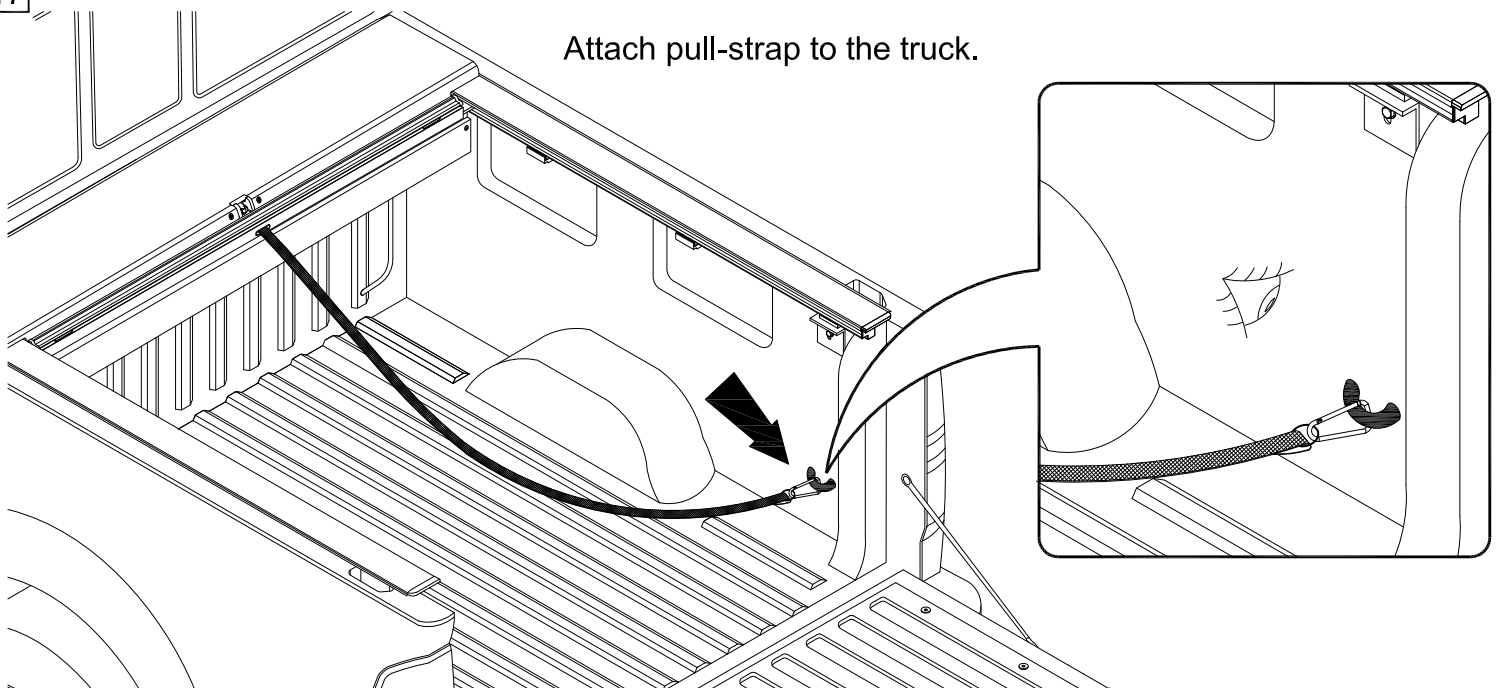
16 LHS = RHS

Drill 1/2" hole through bulkhead as shown. **DO NOT** drill through the truck cab. Insert one end of the drain tube **E** through the hole and insert the other end onto the housing.



17

Attach pull-strap to the truck.

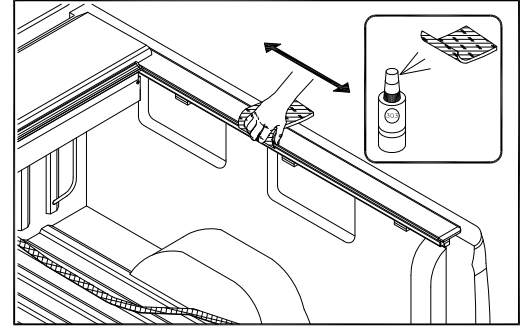


Troubleshooting

Cover is hard to pull or retract.



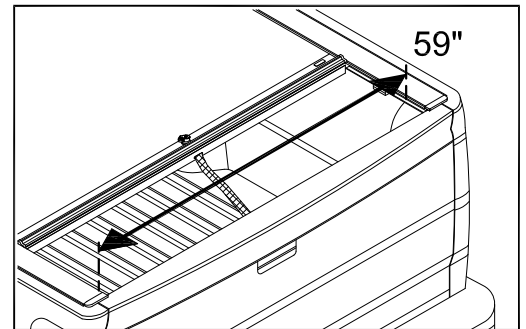
Spray 303[®] on a rag and wipe the top gasket in the Track back and forth.



Cover does not latch.



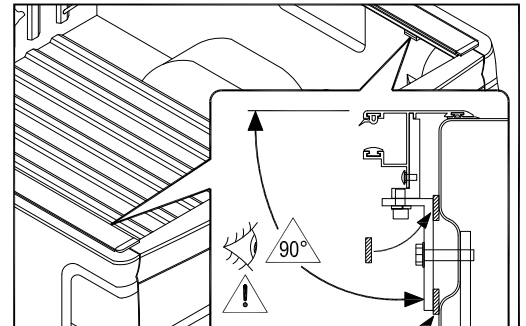
Check Track to Track measurement.



Track tips up or down.



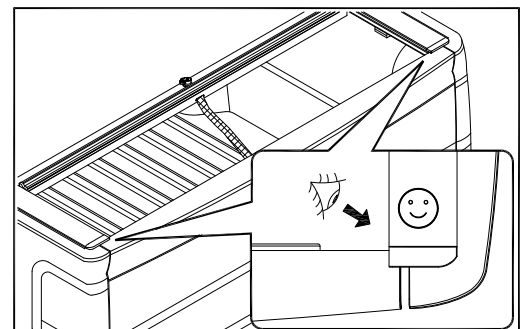
Use shim(s) behind bracket to level Track.



Cover does not reach tailgate.



Make sure Tracks are back against tailgate.



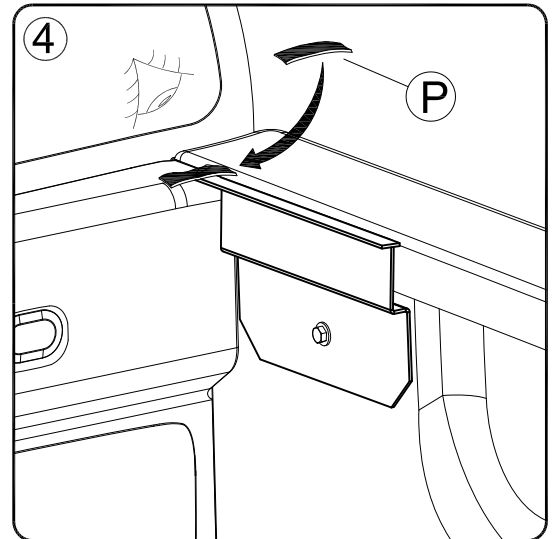
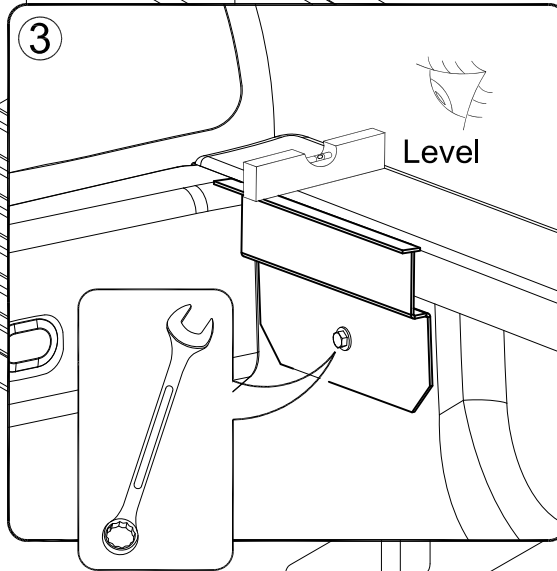
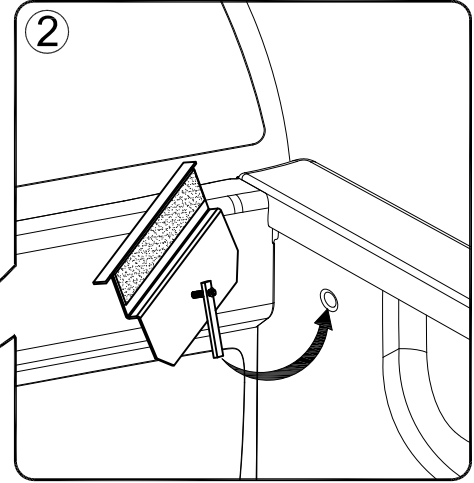
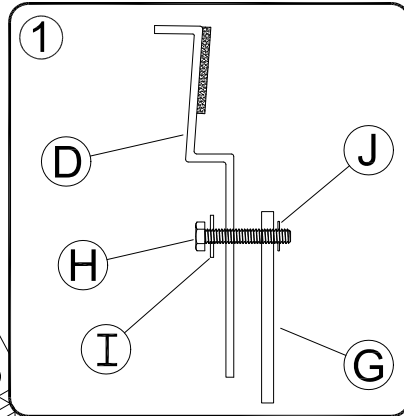
ROLL-N-LOCK[®]

Any questions please call Customer Service at 800-952-7655
or email customerservice@rollnlock.com

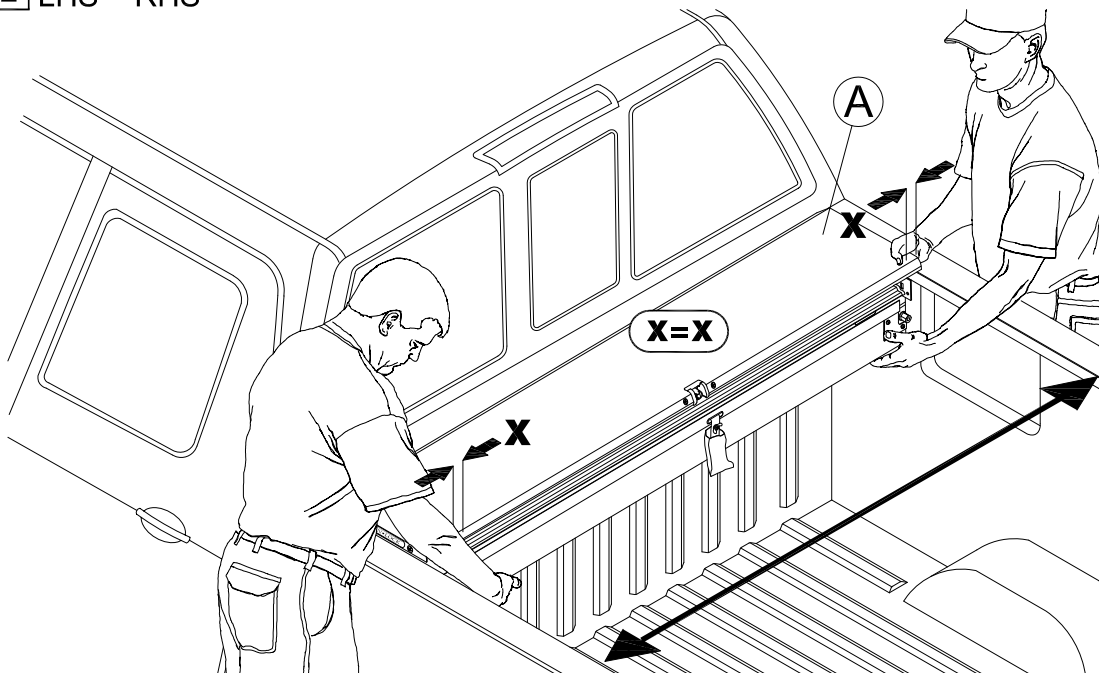
IF TRUCK IS EQUIPPED WITH THE MULTI-PRO STEP PROCEED WITH PAGES 16-27

1 LHS = RHS

Assemble the Housing
Bracket (D), insert as
shown, level and tighten.

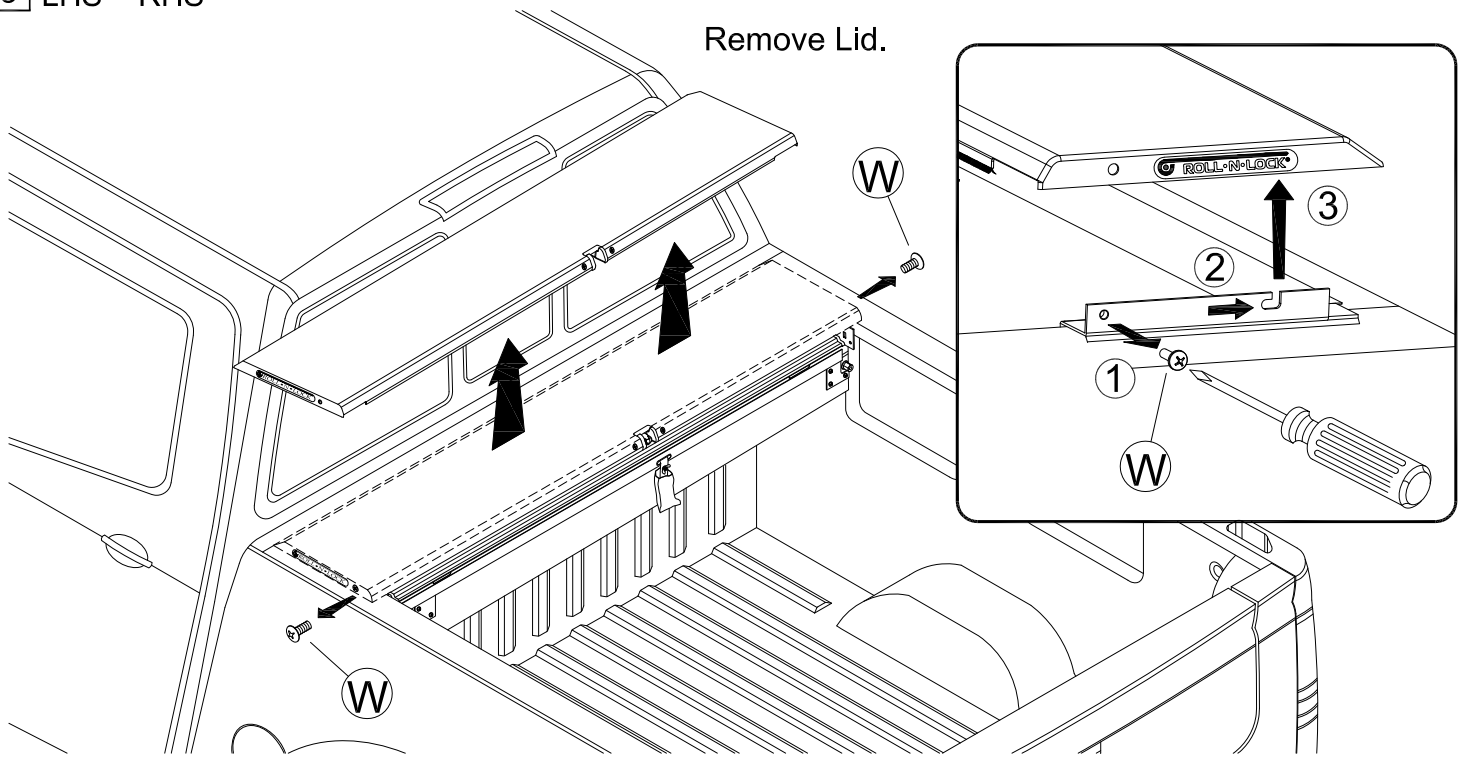


2 LHS = RHS



Center the Housing (A)
between the bed rails up
against the bulkhead.

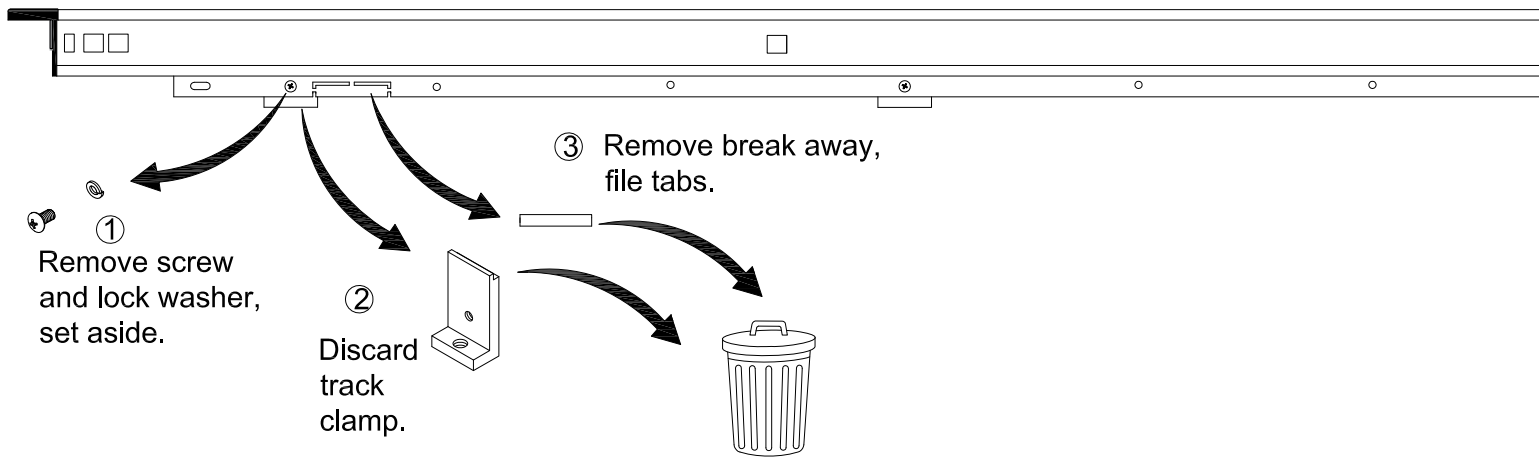
3 LHS = RHS



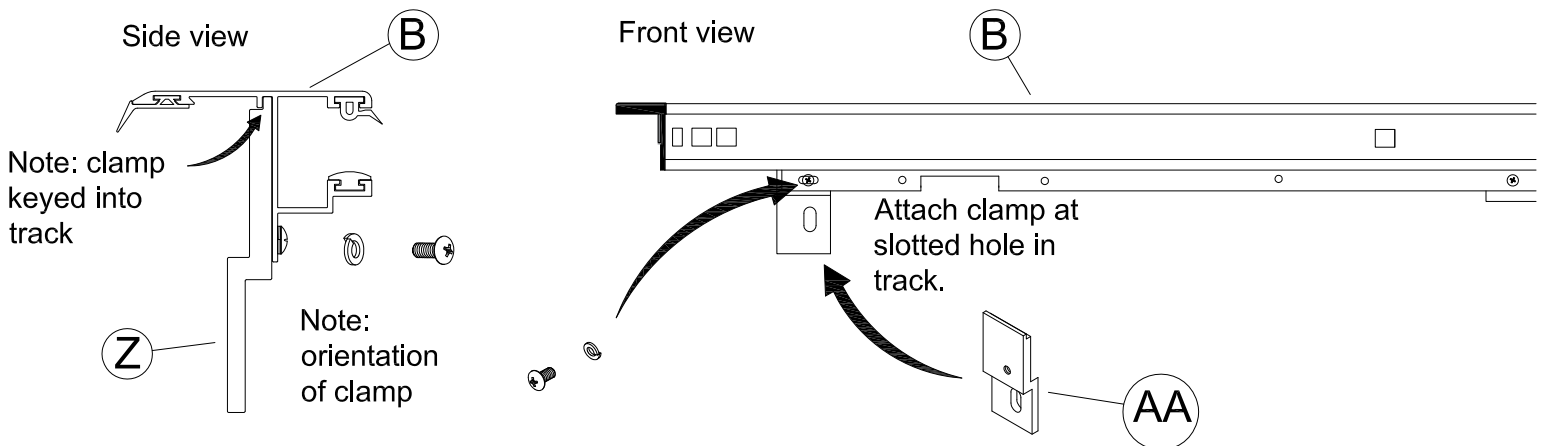
4 LHS ONLY

Remove back track clamp and break away tab.

DRIVERS SIDE TRACK ONLY

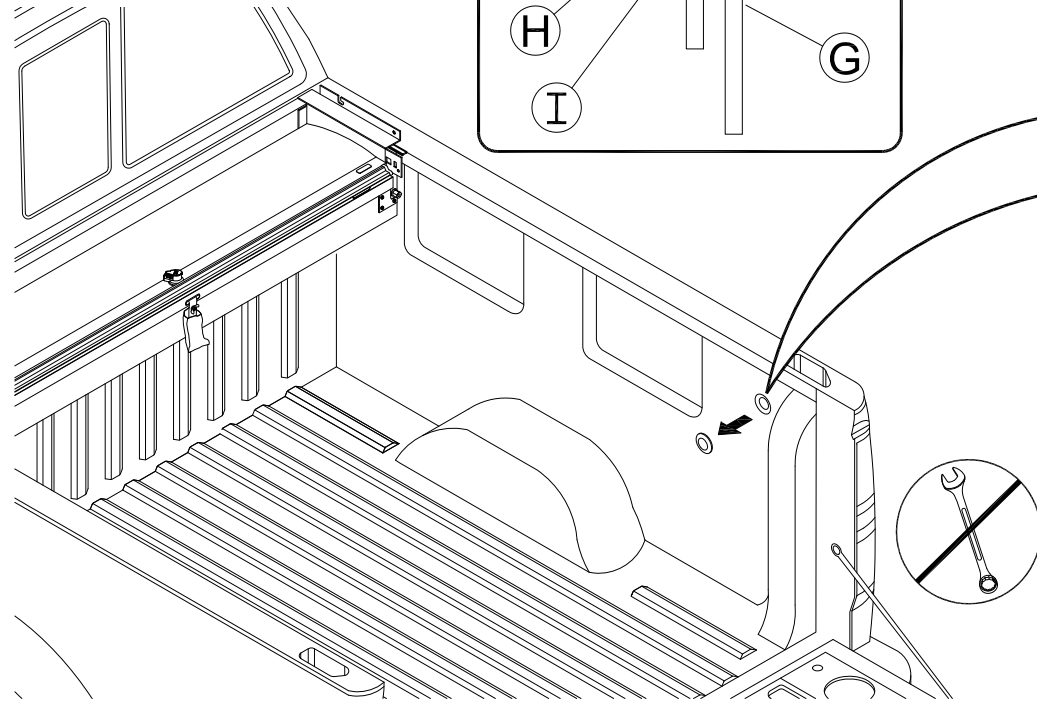
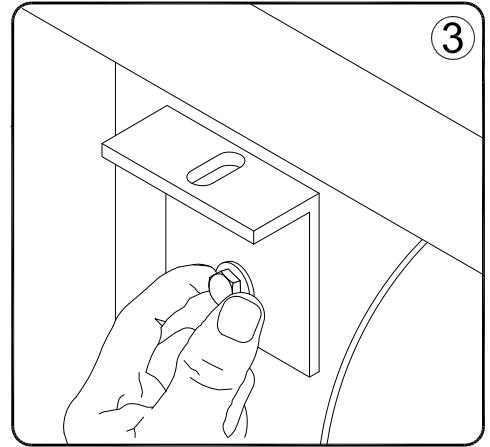
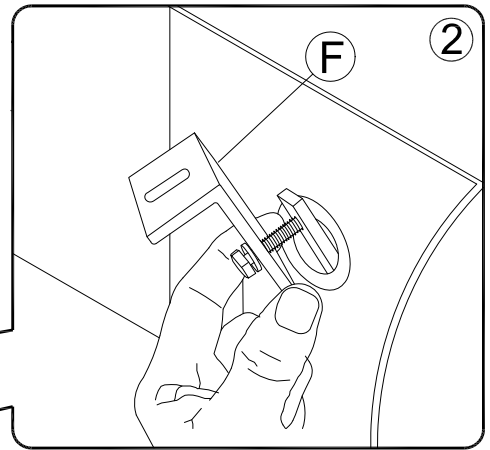
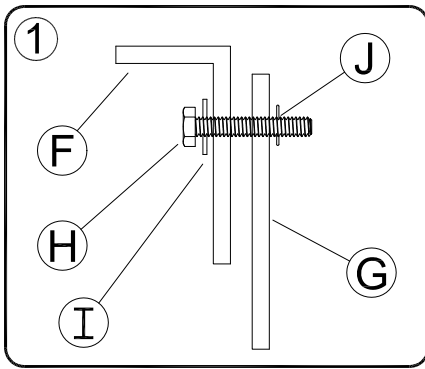


Key supplied track clamp bracket (Z) onto the back of the track at the slotted hole. Using the same screw and washer that was removed loosely attach bracket to track.



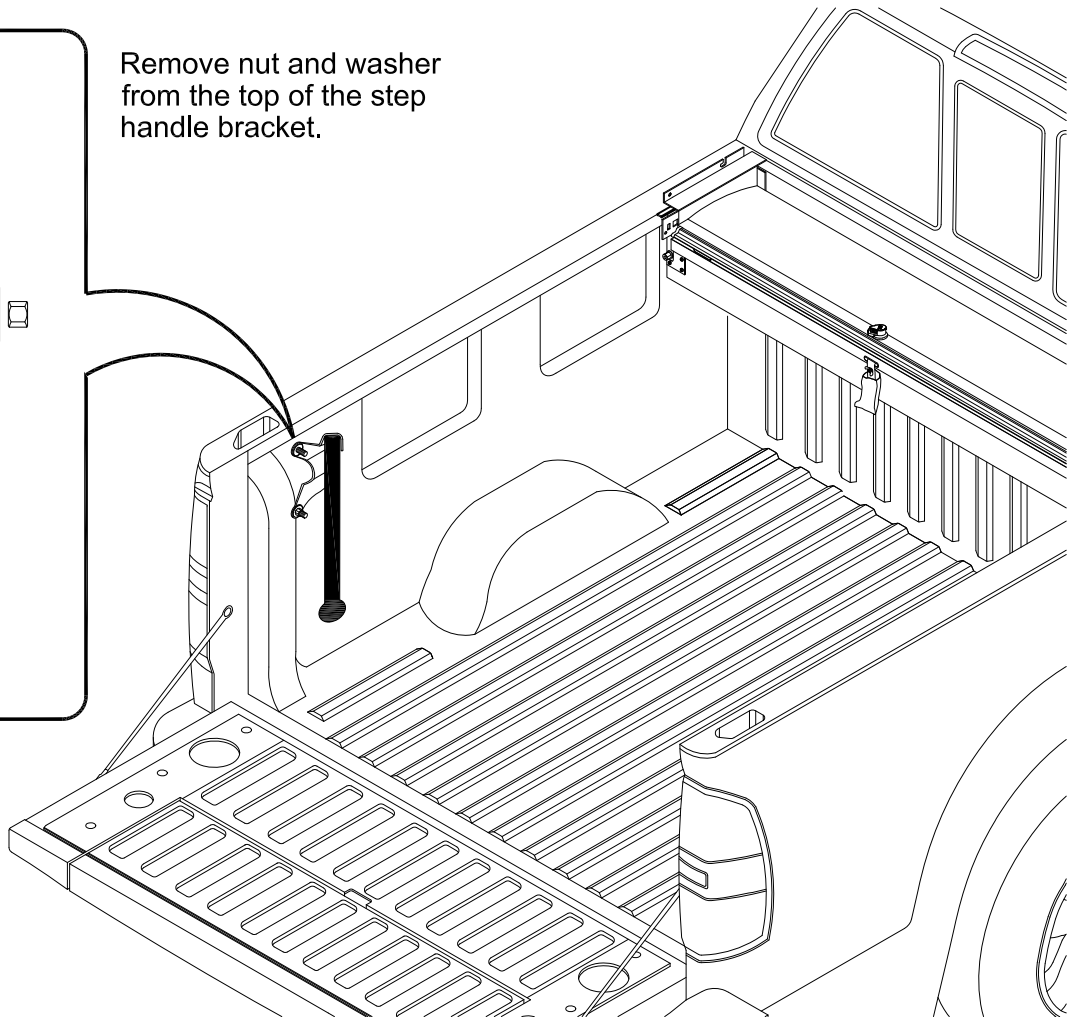
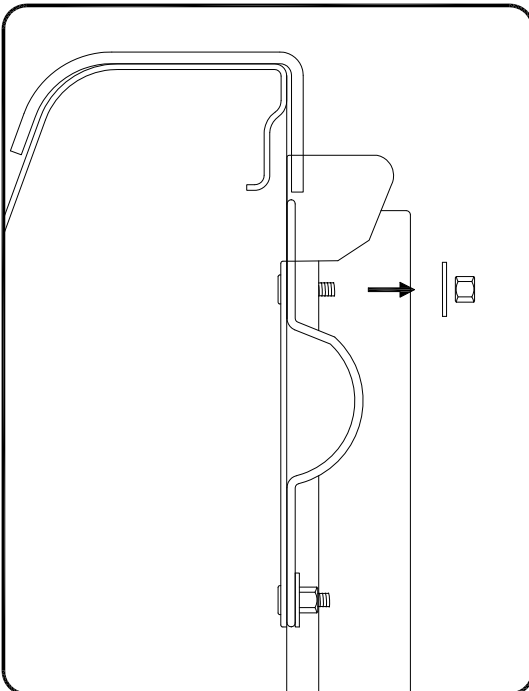
5 RHS ONLY

Assemble the track bracket (F), insert as shown and loosely attach.



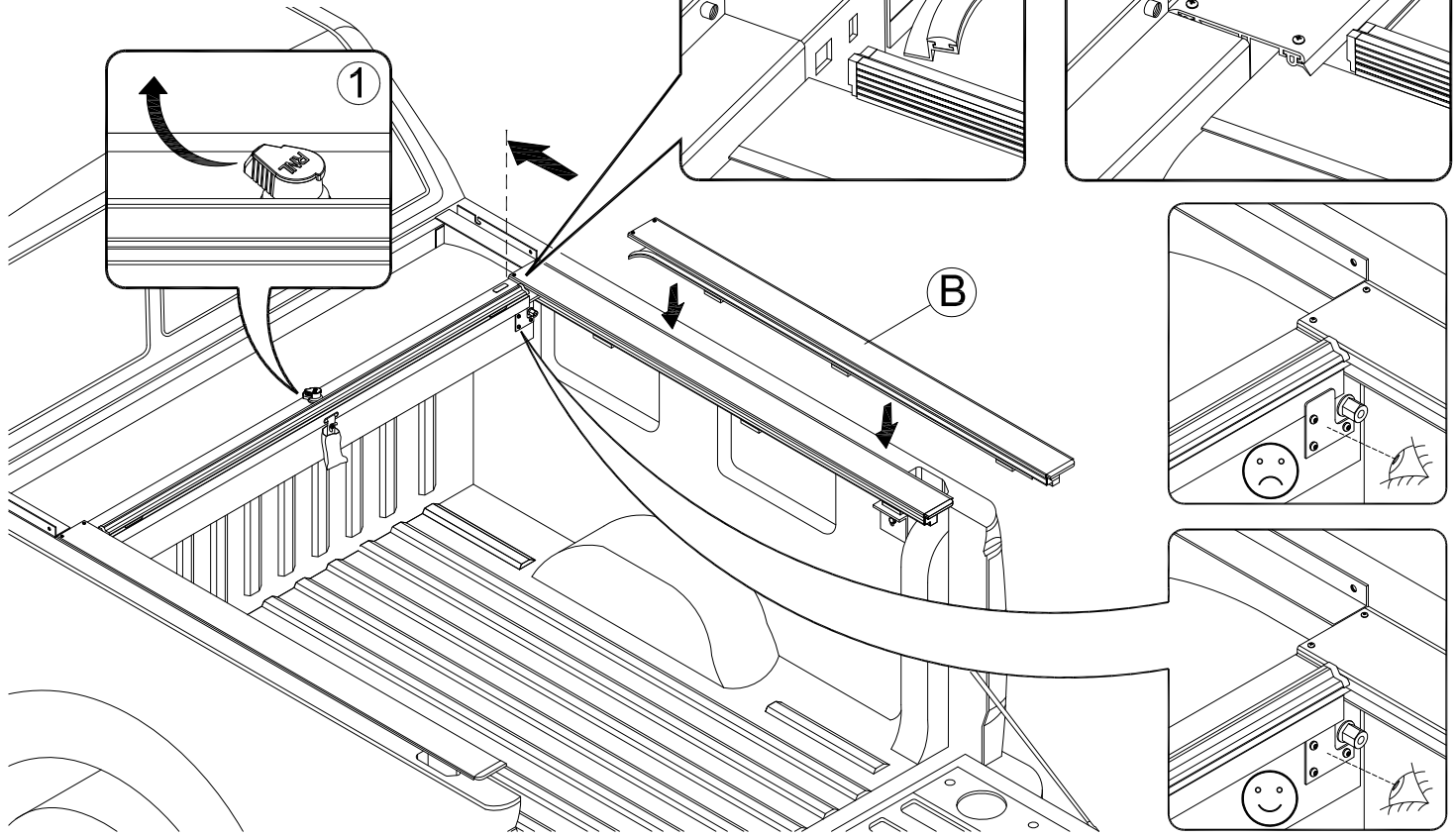
6 LHS ONLY

Remove nut and washer from the top of the step handle bracket.



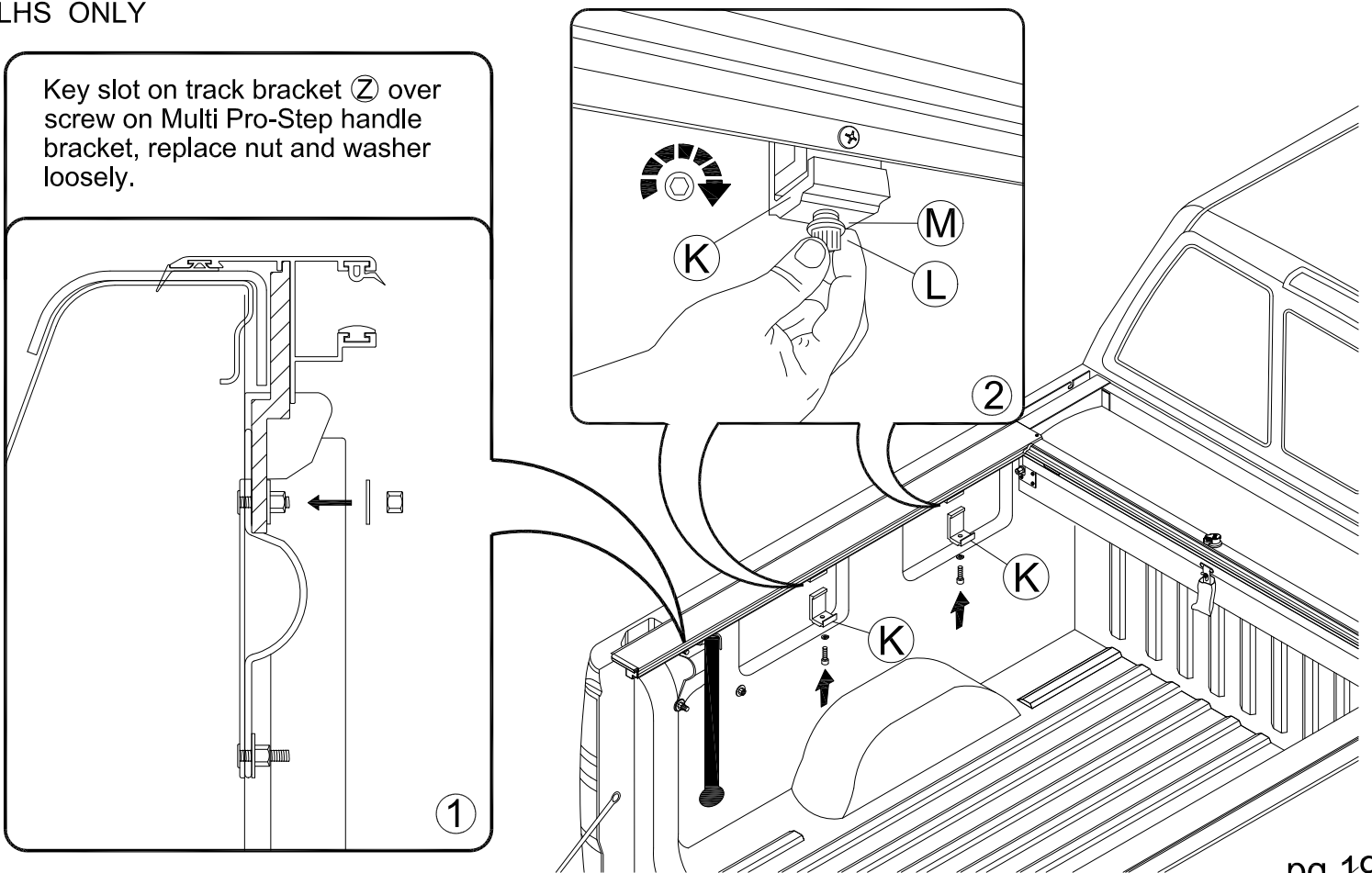
7 LHS=RHS

Turn lock to 10 o'clock, key
Tracks **B** onto housing stems.
Do **not** remove plastic wing nut.



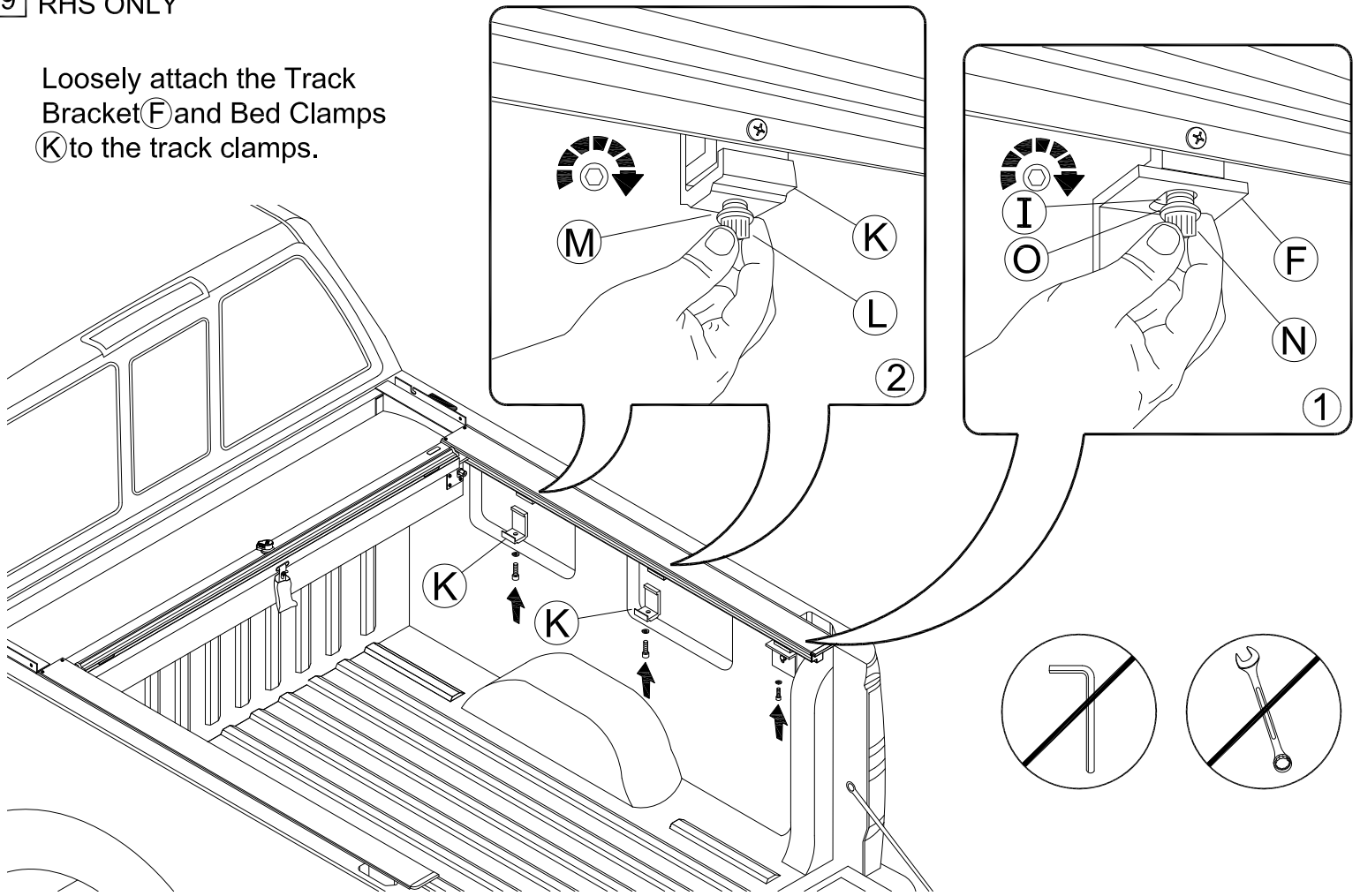
8 LHS ONLY

Key slot on track bracket **Z** over
screw on Multi Pro-Step handle
bracket, replace nut and washer
loosely.

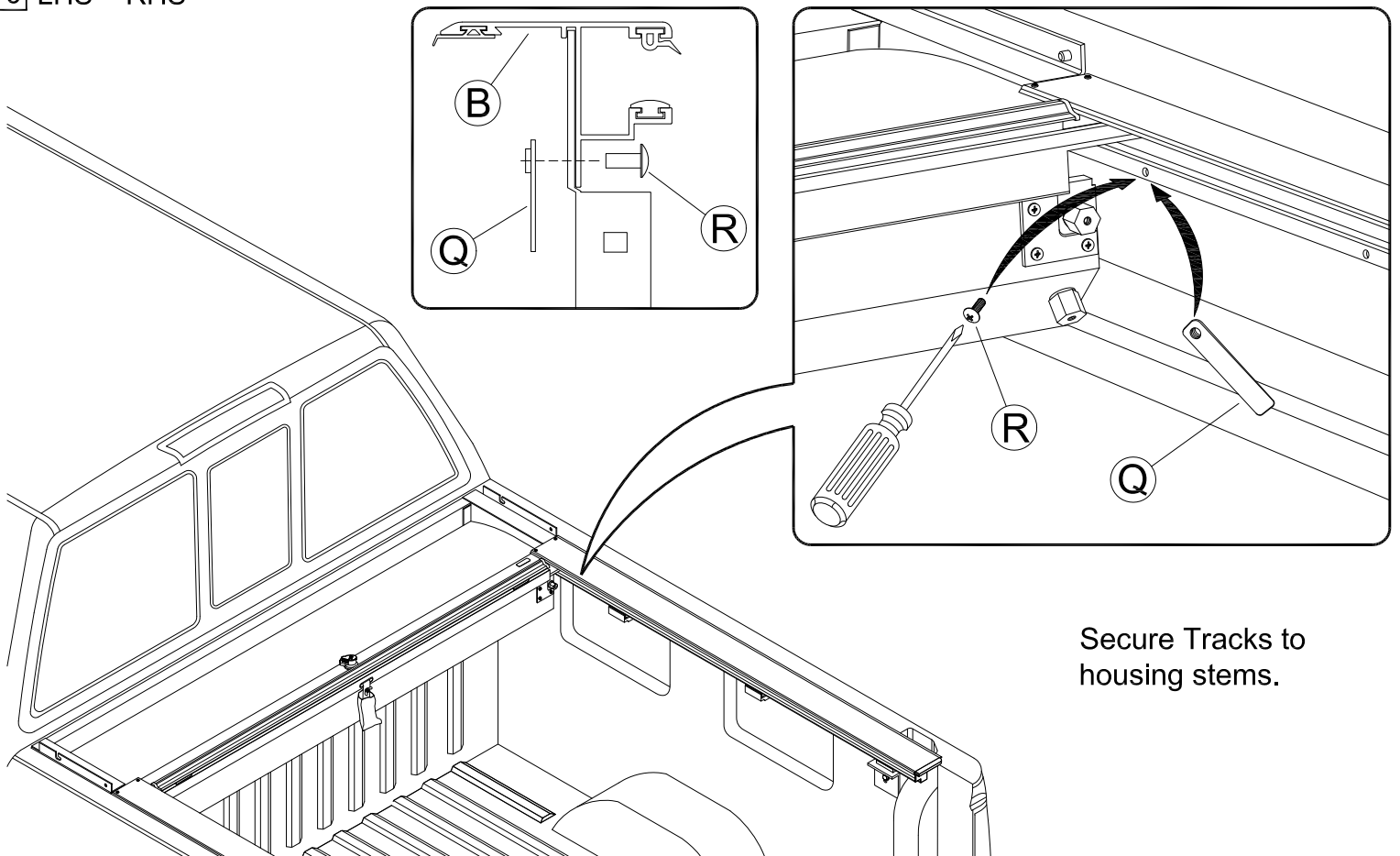


9 RHS ONLY

Loosely attach the Track Bracket (F) and Bed Clamps (K) to the track clamps.

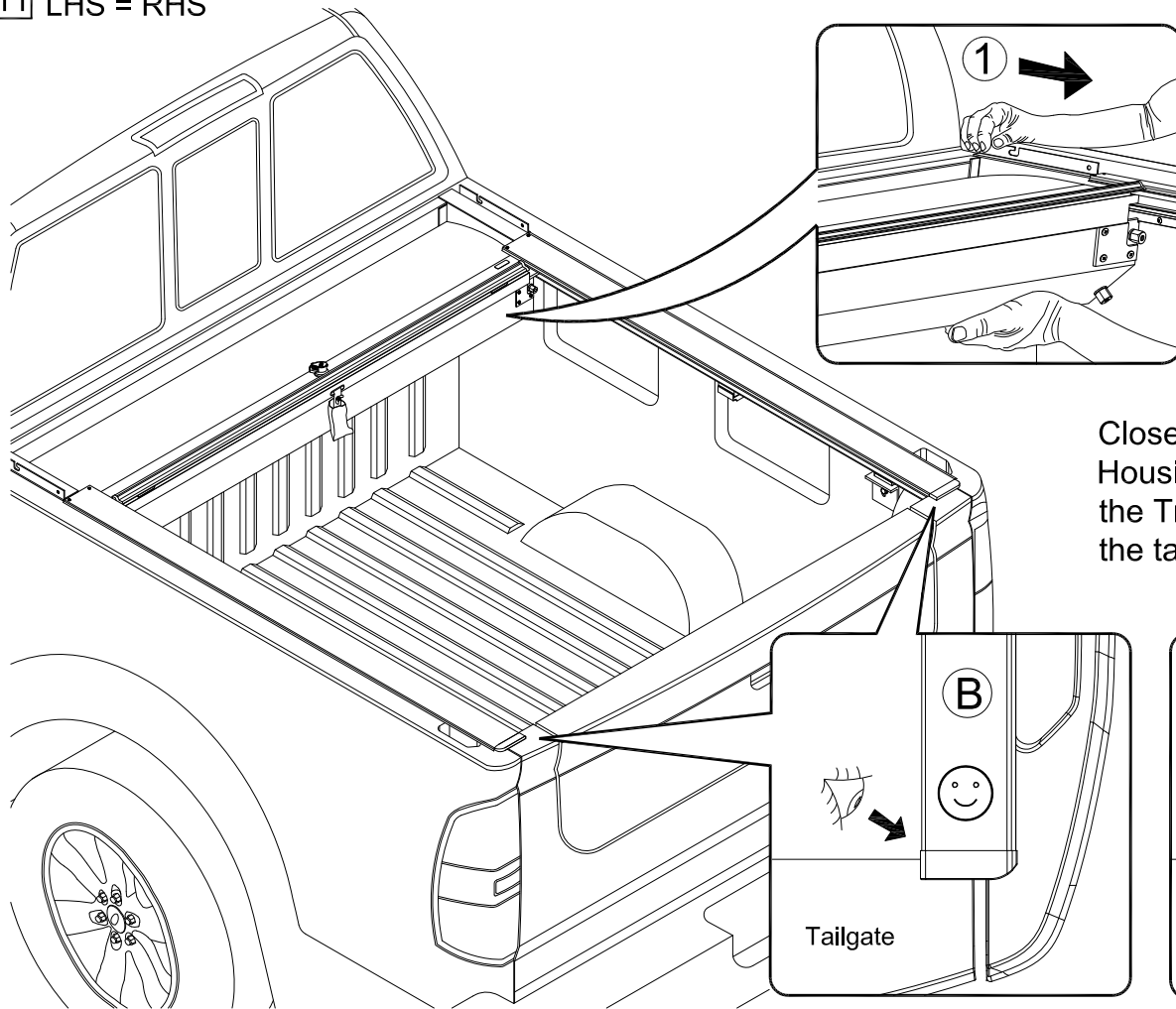


10 LHS = RHS



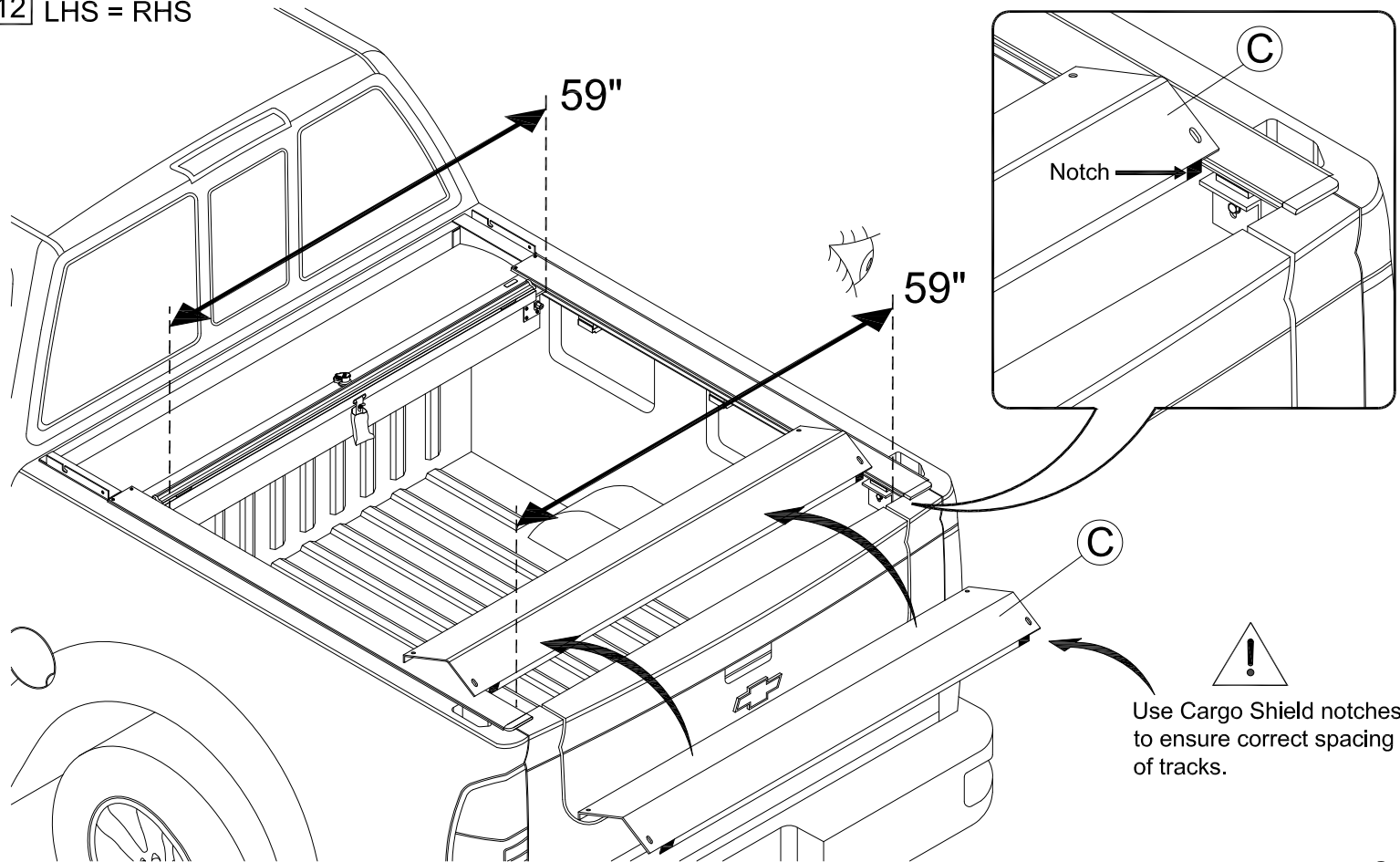
Secure Tracks to housing stems.

11 LHS = RHS



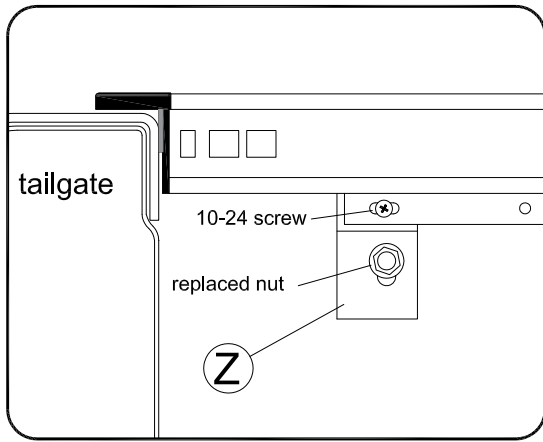
Close tailgate, shift the Housing back so the end of the Tracks are up against the tailgate.

12 LHS = RHS

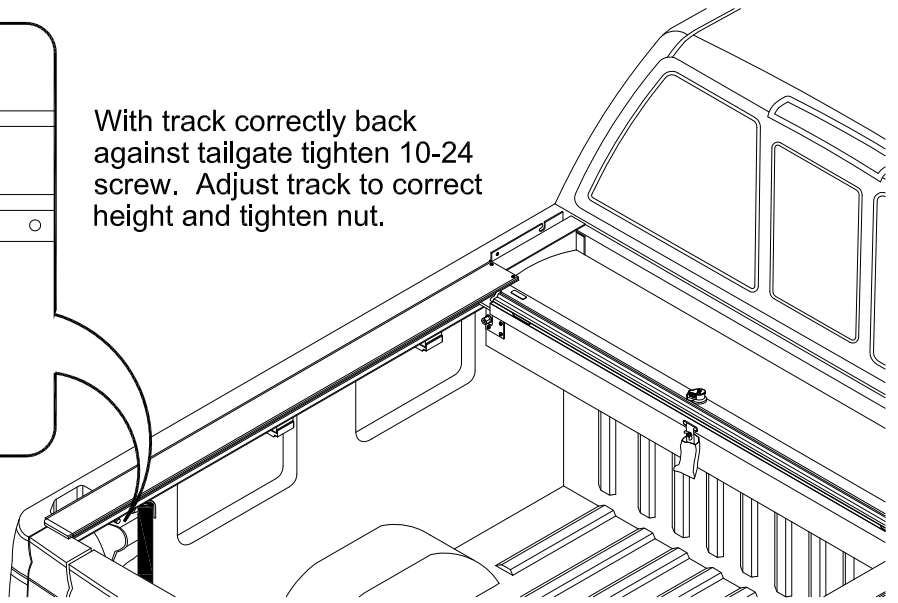


Use Cargo Shield notches to ensure correct spacing of tracks.

13 LHS ONLY

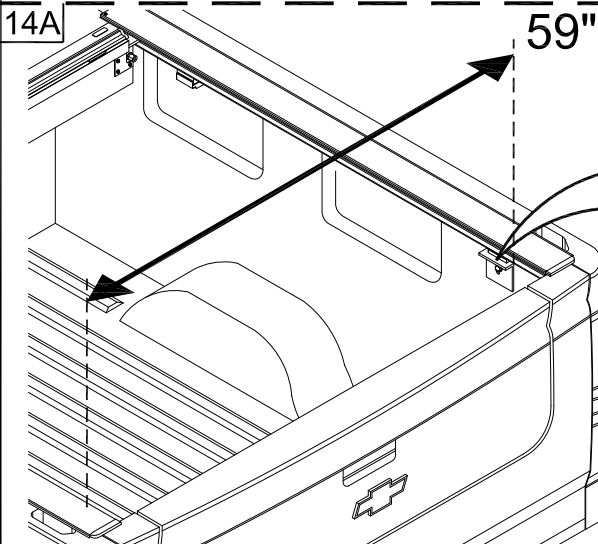
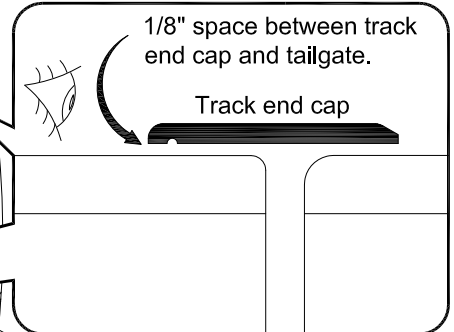
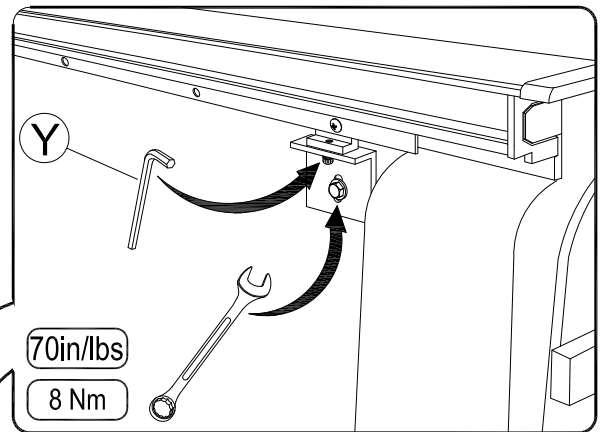


With track correctly back against tailgate tighten 10-24 screw. Adjust track to correct height and tighten nut.



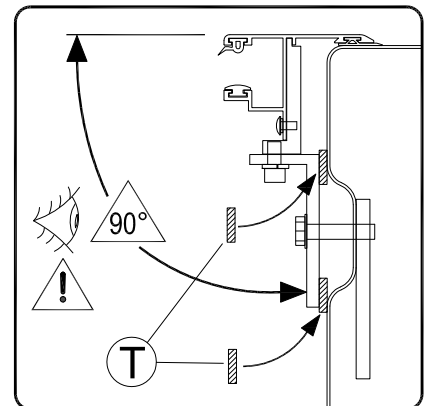
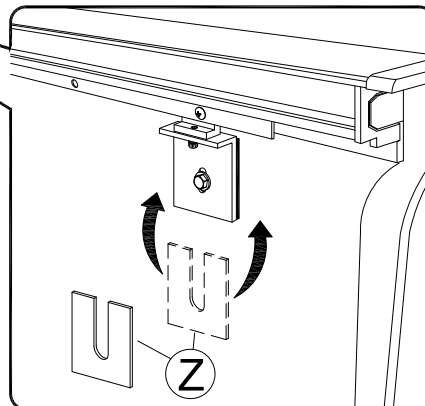
14 RHS ONLY

Once tracks are correctly spaced and adjusted to the correct height tighten fasteners at back clamp.

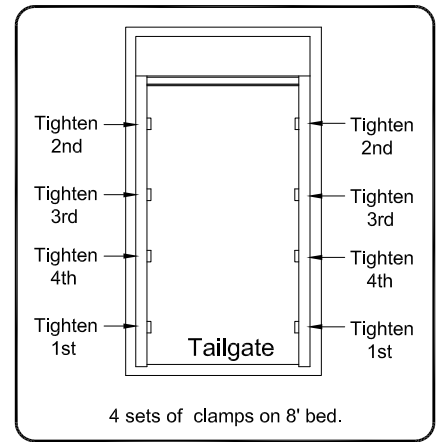
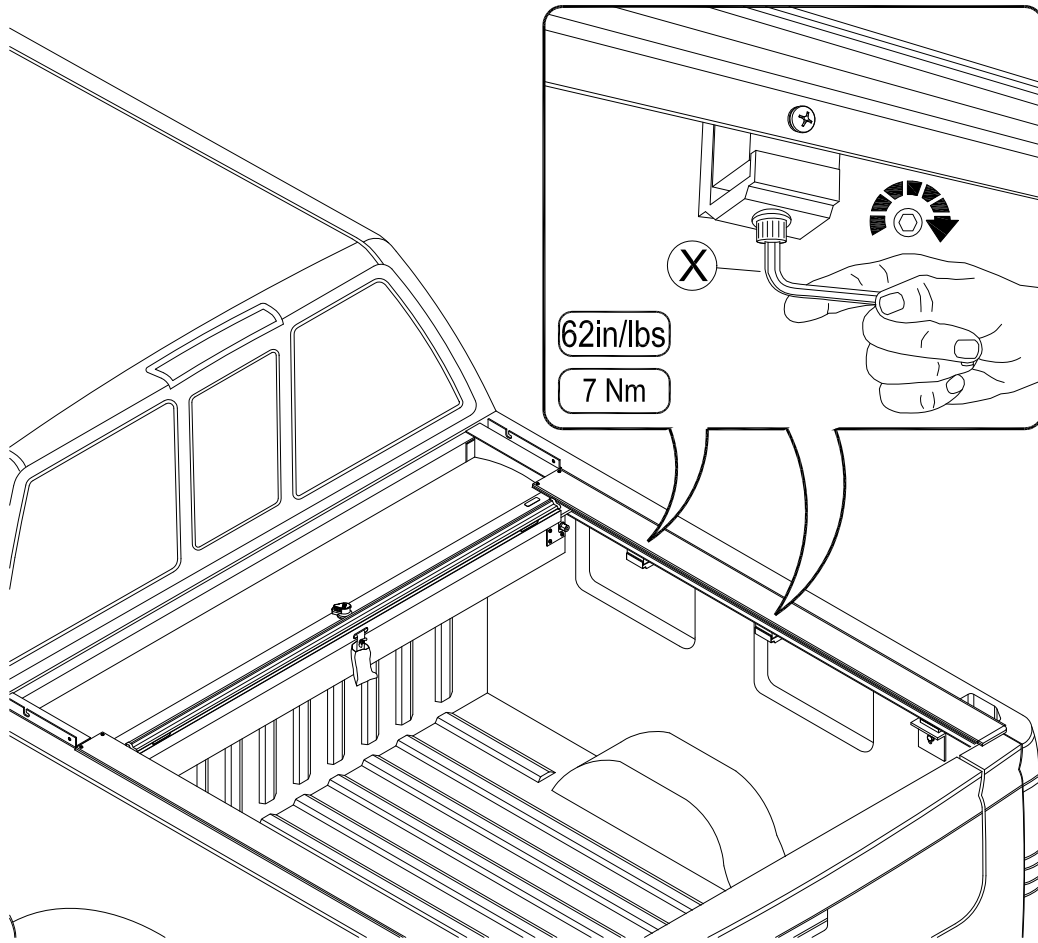


If needed:

- Use shim(s) Z in back of bracket to bring track in.
- Use shim(s) T to align the track to correct position.



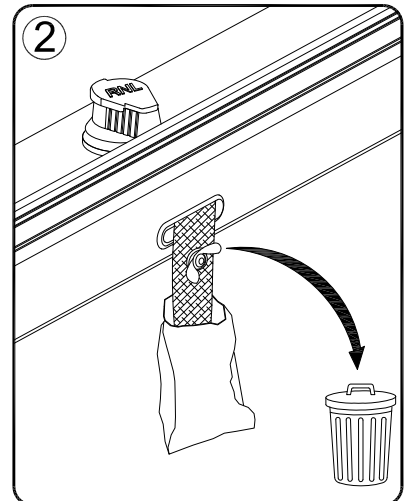
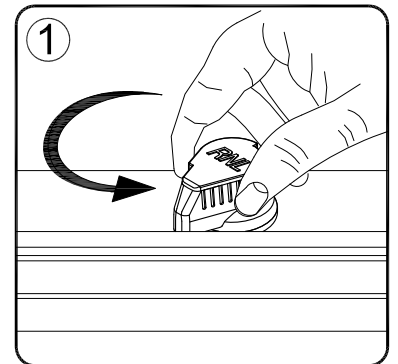
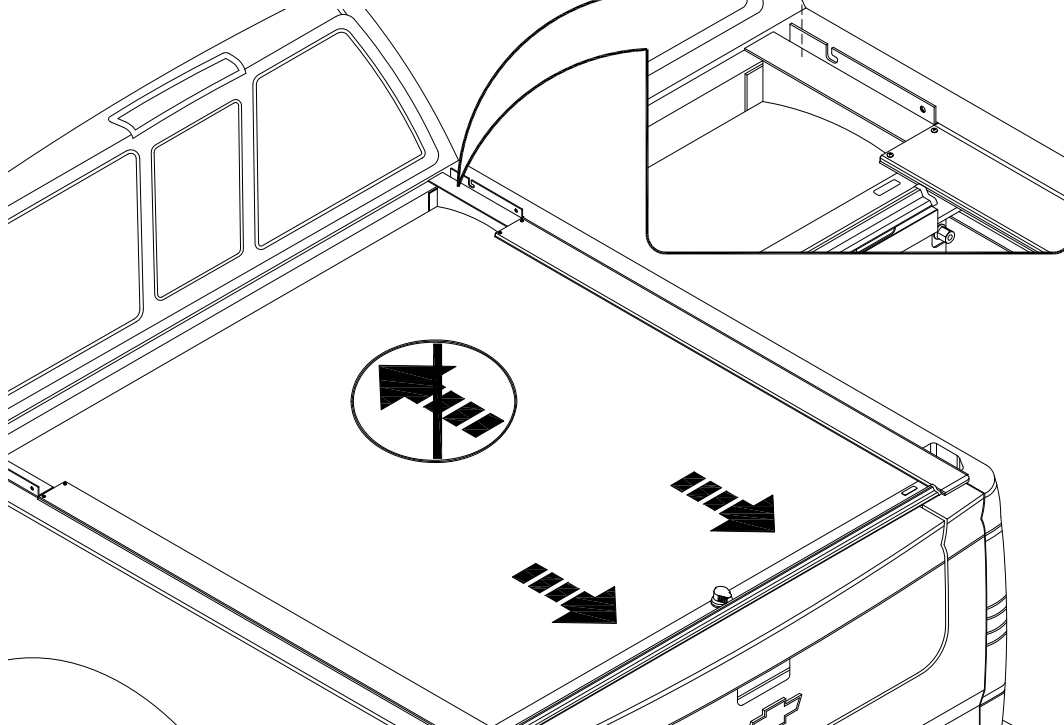
15 LHS = RHS



Tighten bed clamps to the track clamps. Note: When tight there may be a gap between the clamps, do not overtighten.

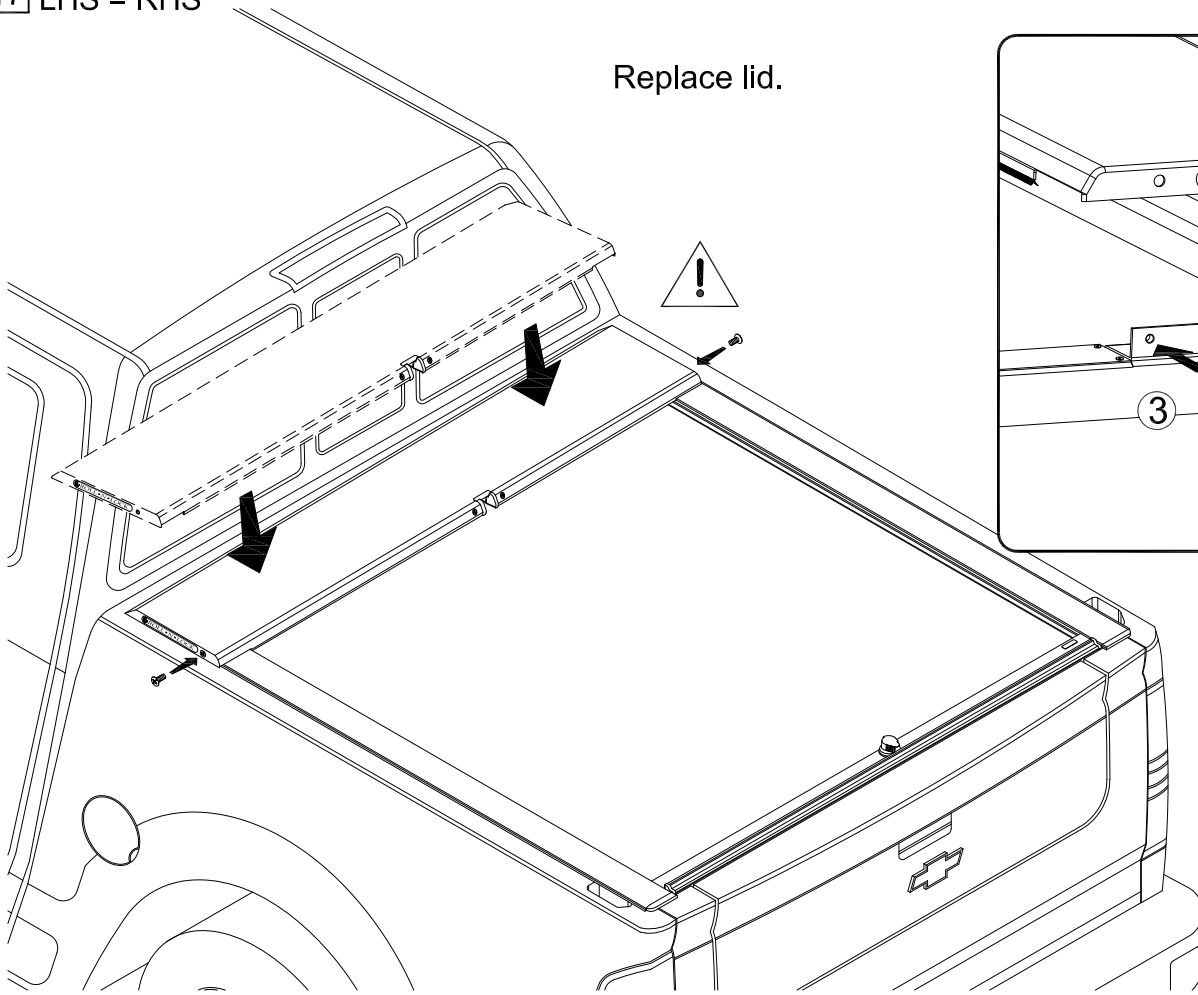
16 LHS = RHS

Turn lock to 7 o'clock, remove plastic wing nut and using both hands pull cover back to tailgate. Screw housing into housing bracket.

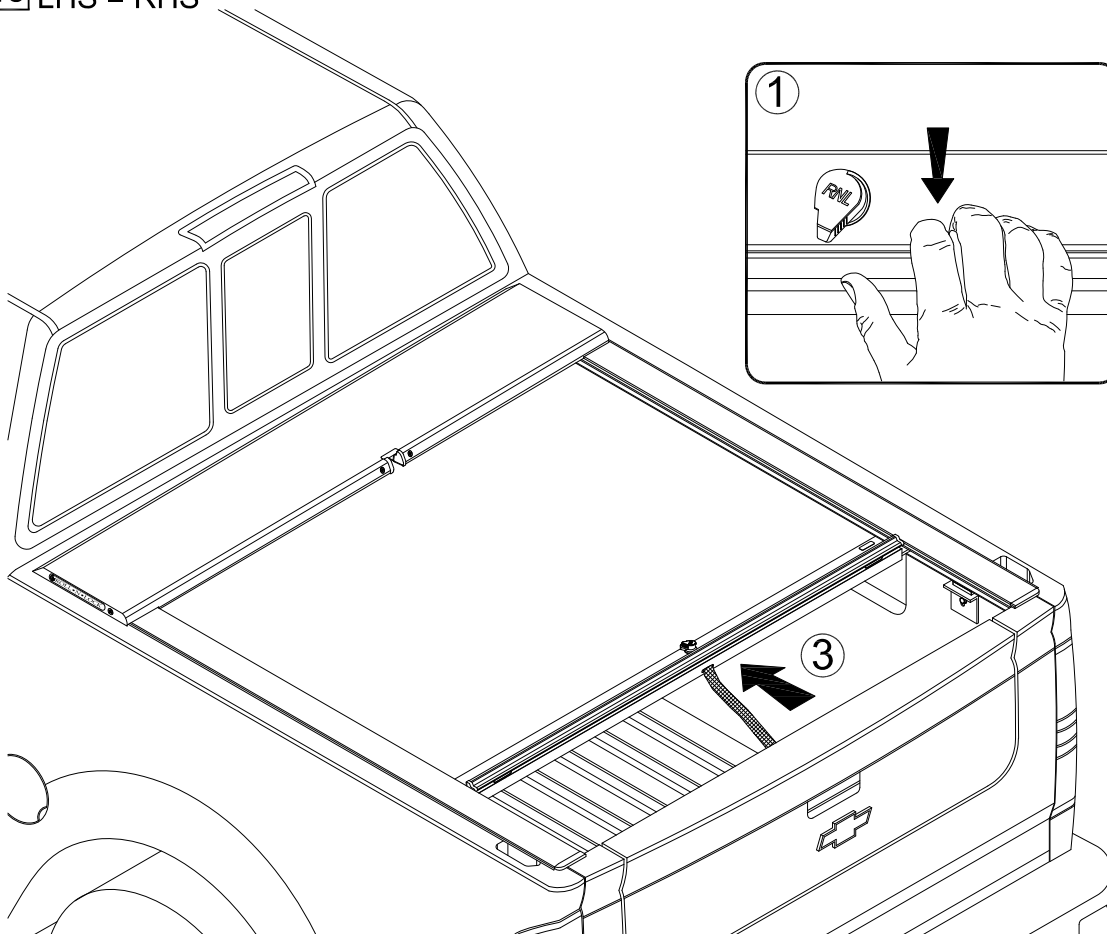


17 LHS = RHS

Replace lid.



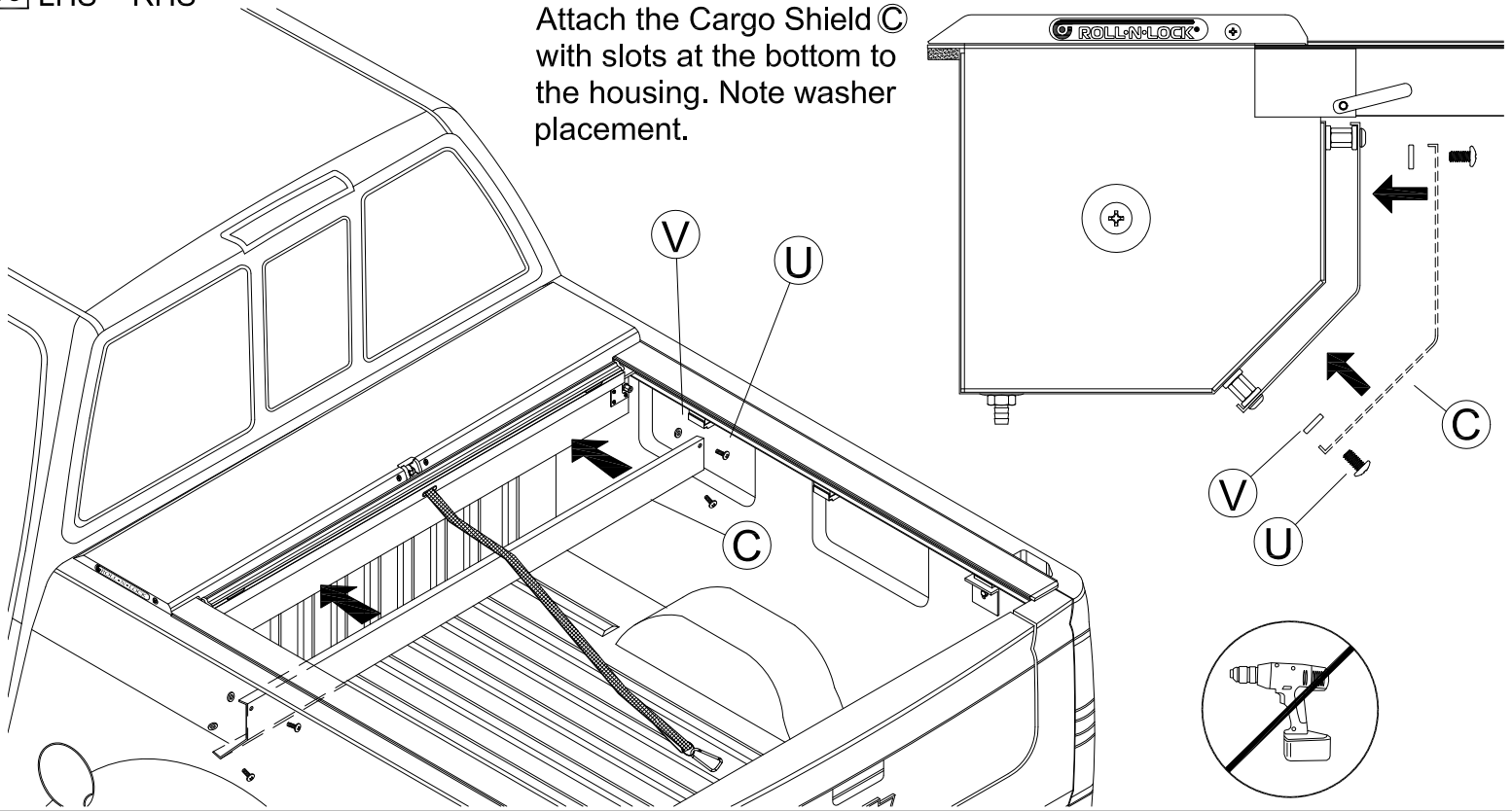
18 LHS = RHS



To open cover pull back on the handle, turn the lock to 10 o'clock and let the cover retract into the housing while holding onto the pull strap.

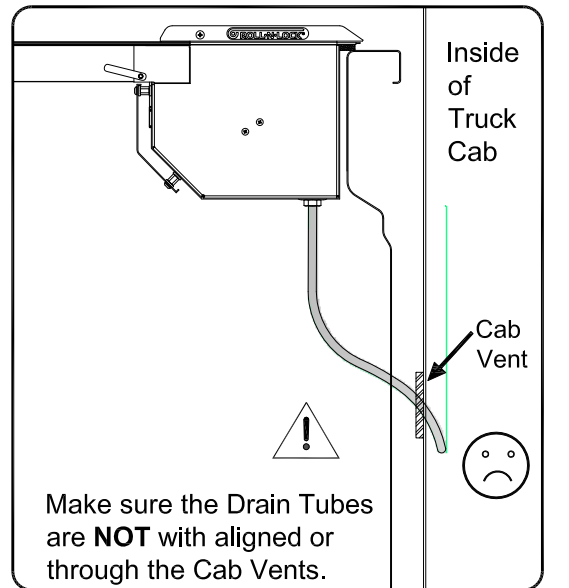
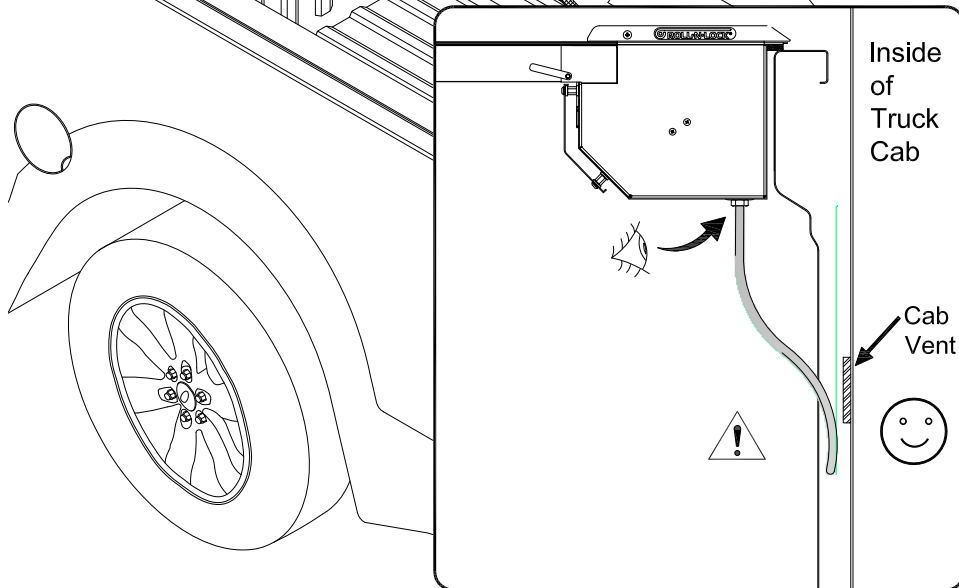
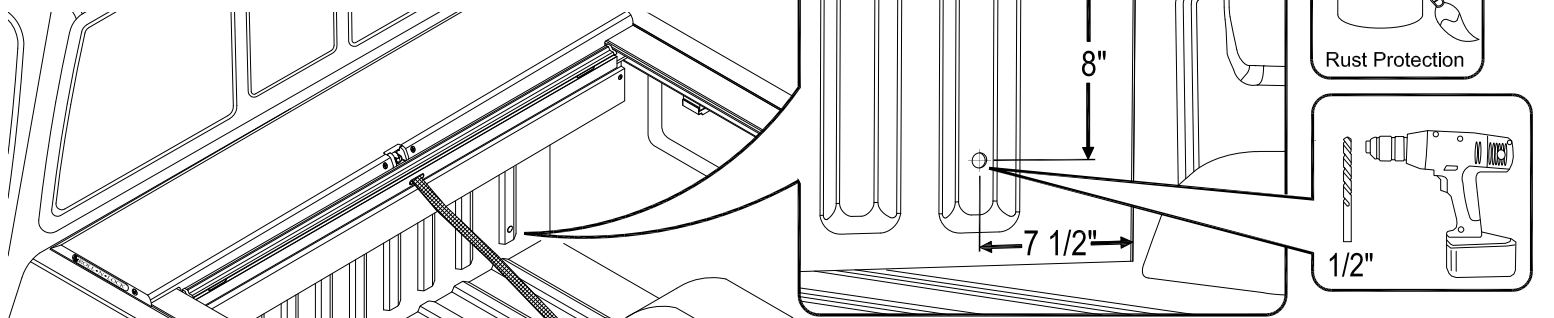
19 LHS = RHS

Attach the Cargo Shield **C** with slots at the bottom to the housing. Note washer placement.



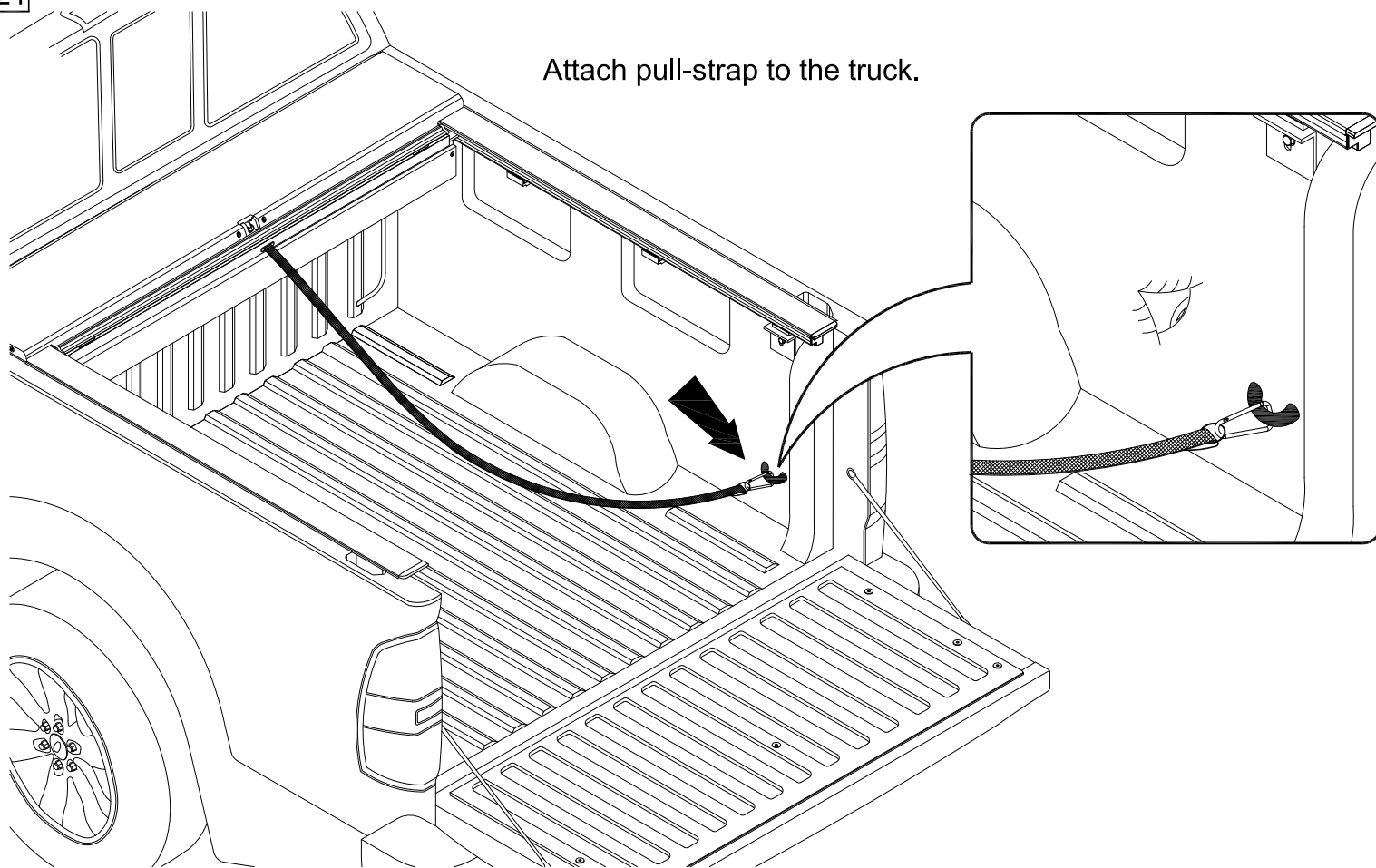
20 LHS = RHS

Drill 1/2" hole through bulkhead as shown. **DO NOT** drill through the truck cab. Insert one end of the drain tube **E** through the hole and insert the other end onto the housing.



Make sure the Drain Tubes are **NOT** with aligned or through the Cab Vents.

Attach pull-strap to the truck.



ROLL-N-LOCK®

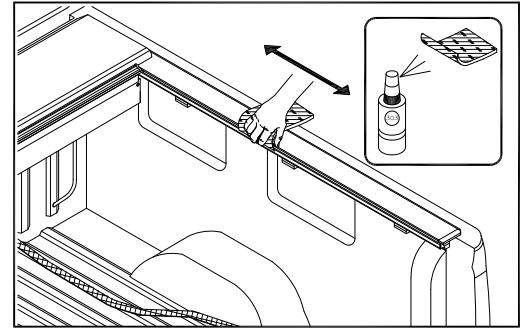
Any questions please call Customer Service at 800-952-7655 or email customerservice@rollnlock.com

Troubleshooting

Cover is hard to pull or retract.



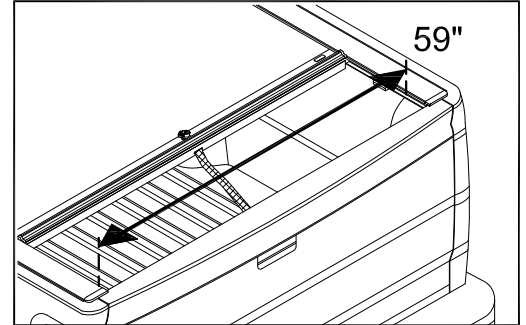
Spray 303[®] on a rag and wipe the top gasket in the Track back and forth.



Cover does not latch.



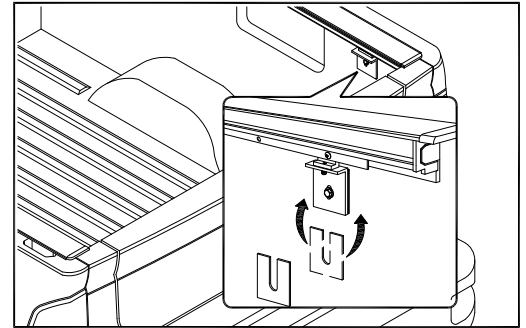
Check Track to Track measurement.



Track to Track is more than 59"



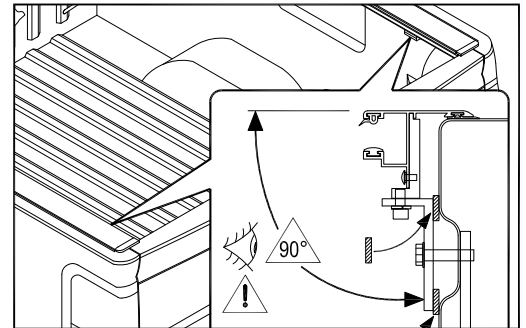
Use shim(s) behind bracket to adjust accordingly.



Track tips up or down.



Use shim(s) behind bracket to level Track.



Cover does not reach tailgate.



Make sure Tracks are back against tailgate.

