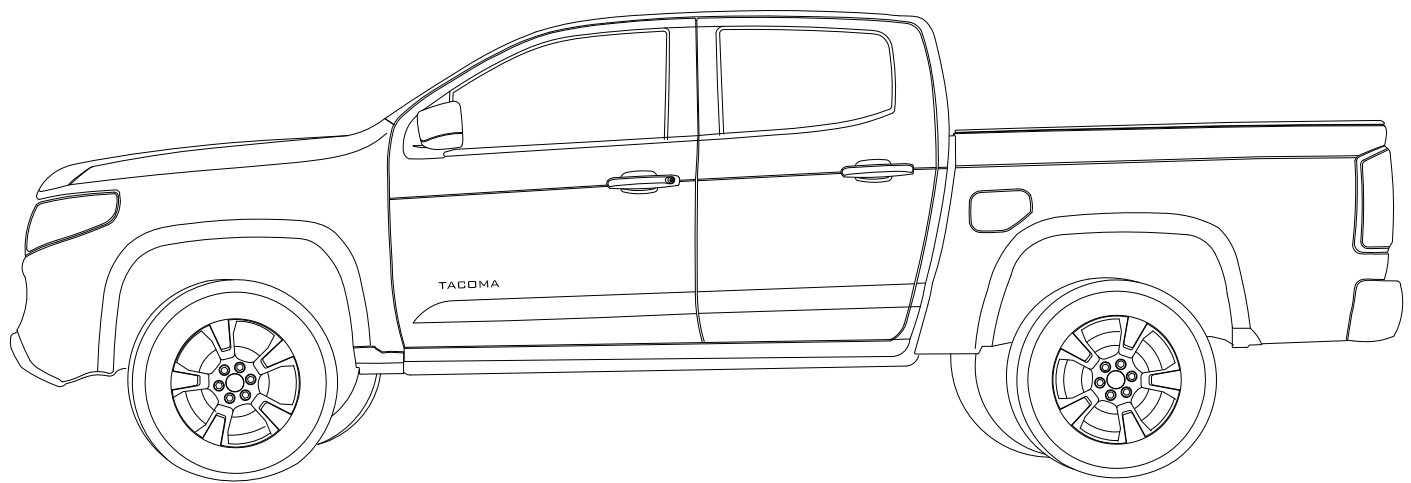




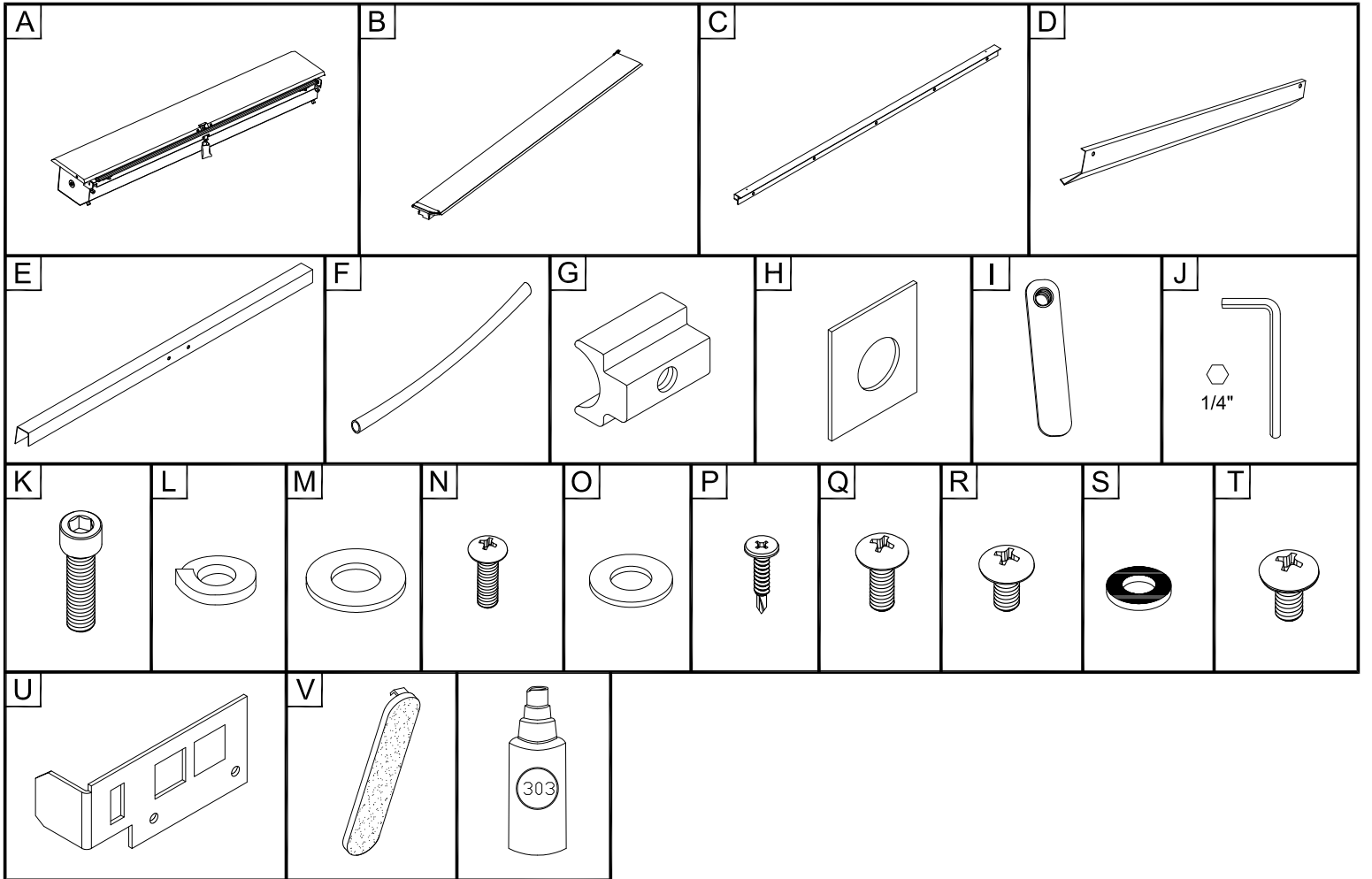
# Installation Guide 2016 Toyota Tacoma



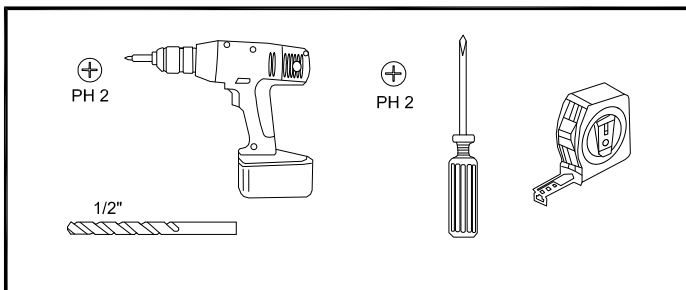
Product Codes  
530 - 531

# Parts List

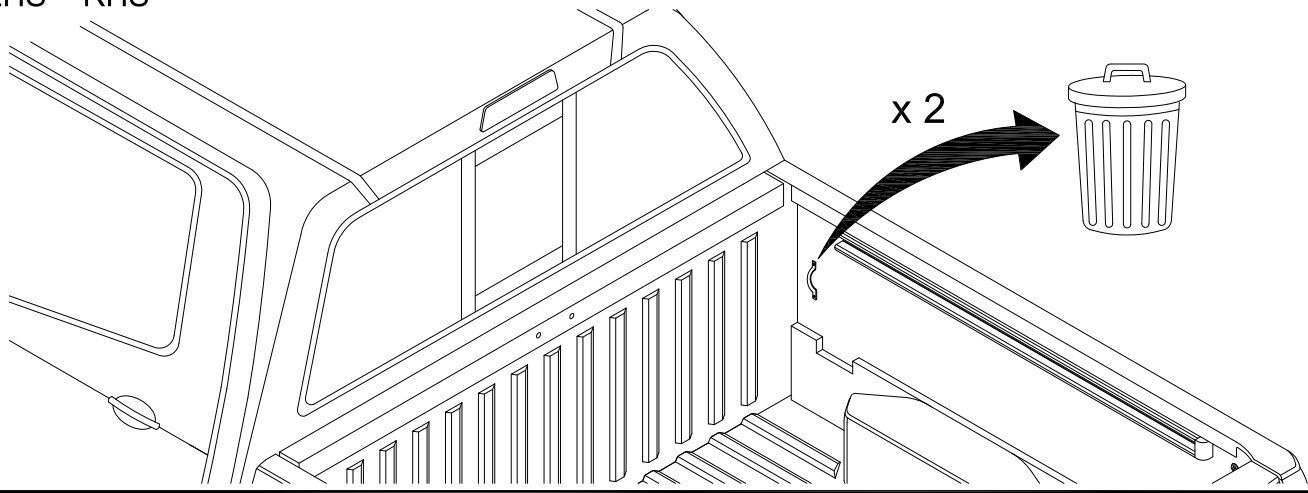
Item	Part Name	Qty.	Item	Part Name	Qty.	Item	Part Name	Qty.
A	Housing	1	I	Cargo Nut	2	Q	#10-24 Screw	2
B	Track	2	J	Allen Wrench (1/4")	1	R	1/4-20 x 3/8" Screw	4
C	Tailgate Extrusion	1	K	5/16" Socket Cap Screw	6	S	Rubber Washer	4
D	Cargo Shield	1	L	5/16" Lock Washer	6	T	1/4" Lid Screws	2
E	Bulkhead Flashing	1	M	5/16" Flat Washer	6	U	NT Striker Plate	2
F	Drain Tube	2	N	M6 x 25mm Screw	2	V	Hook Latch Cap	2
G	Tang	6	O	M6 Flat Washer	2		303 Vinyl Protector	1
H	Shim (Clamp)	2	P	#8x3/4" Self Tap Screw	5			



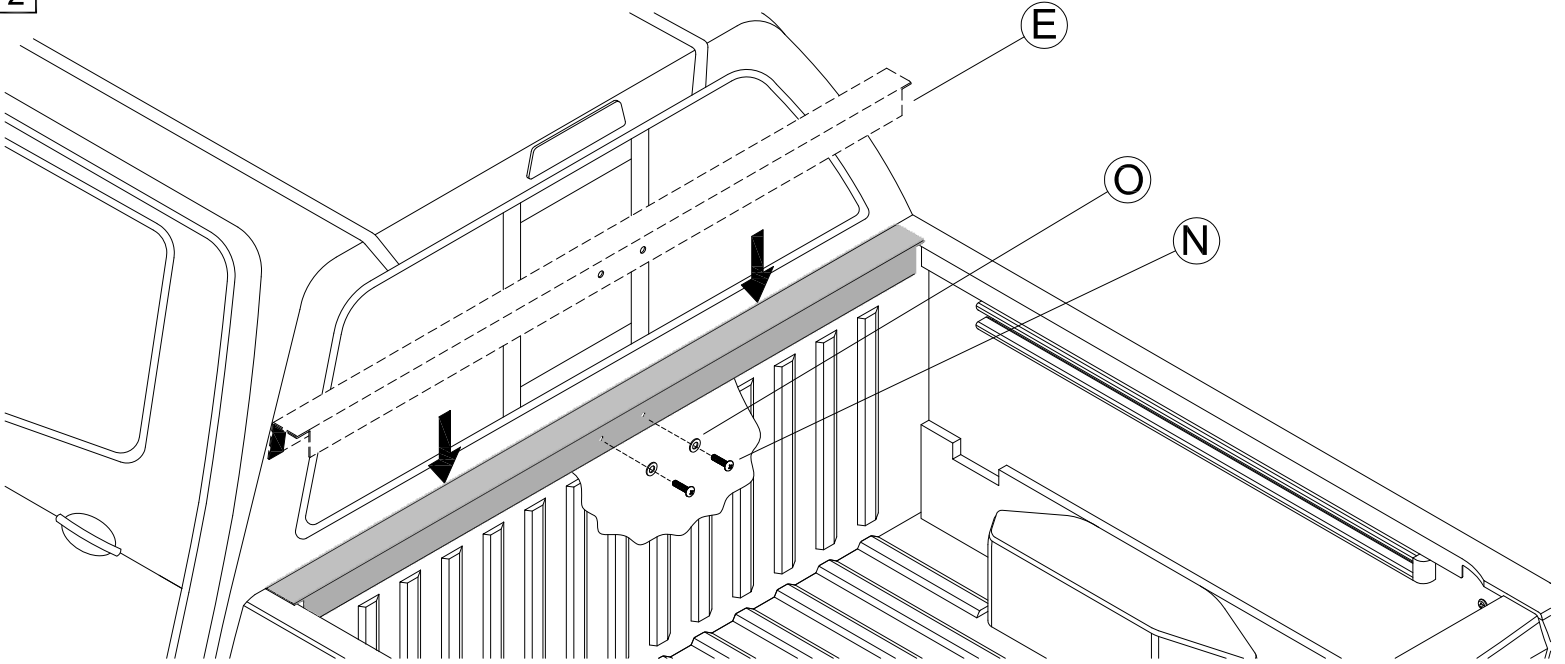
## Tools Needed



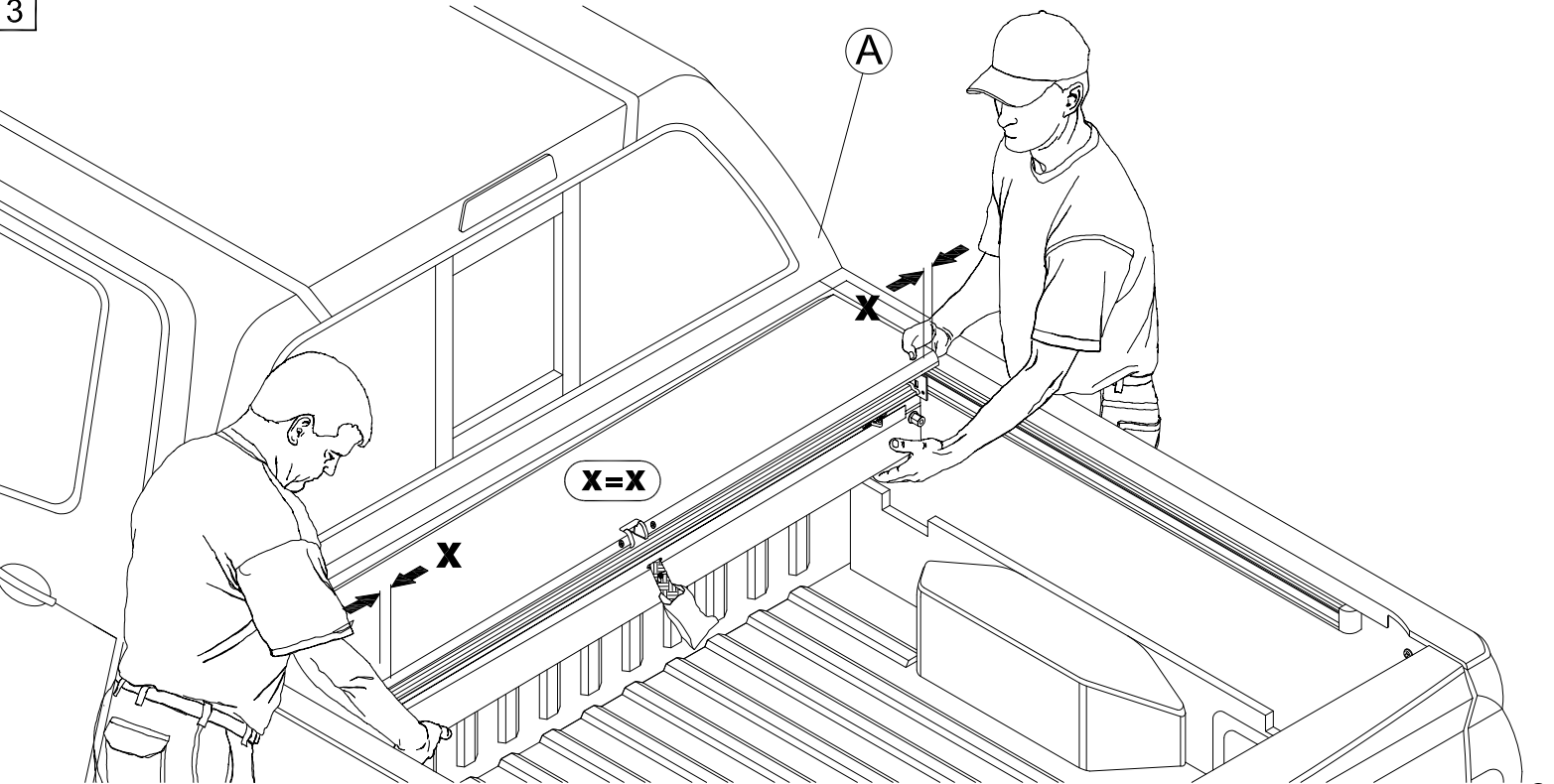
1 LHS = RHS



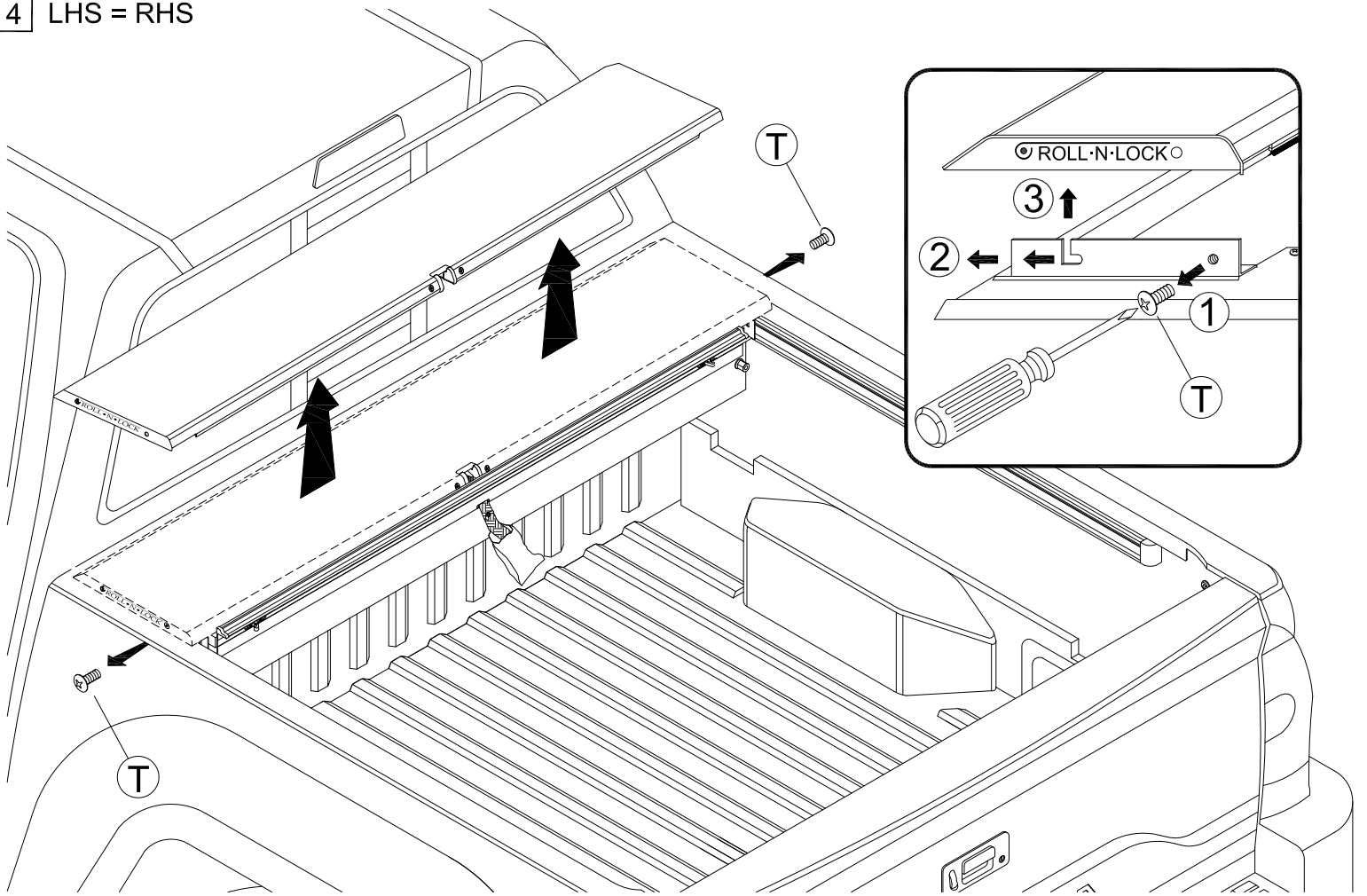
2



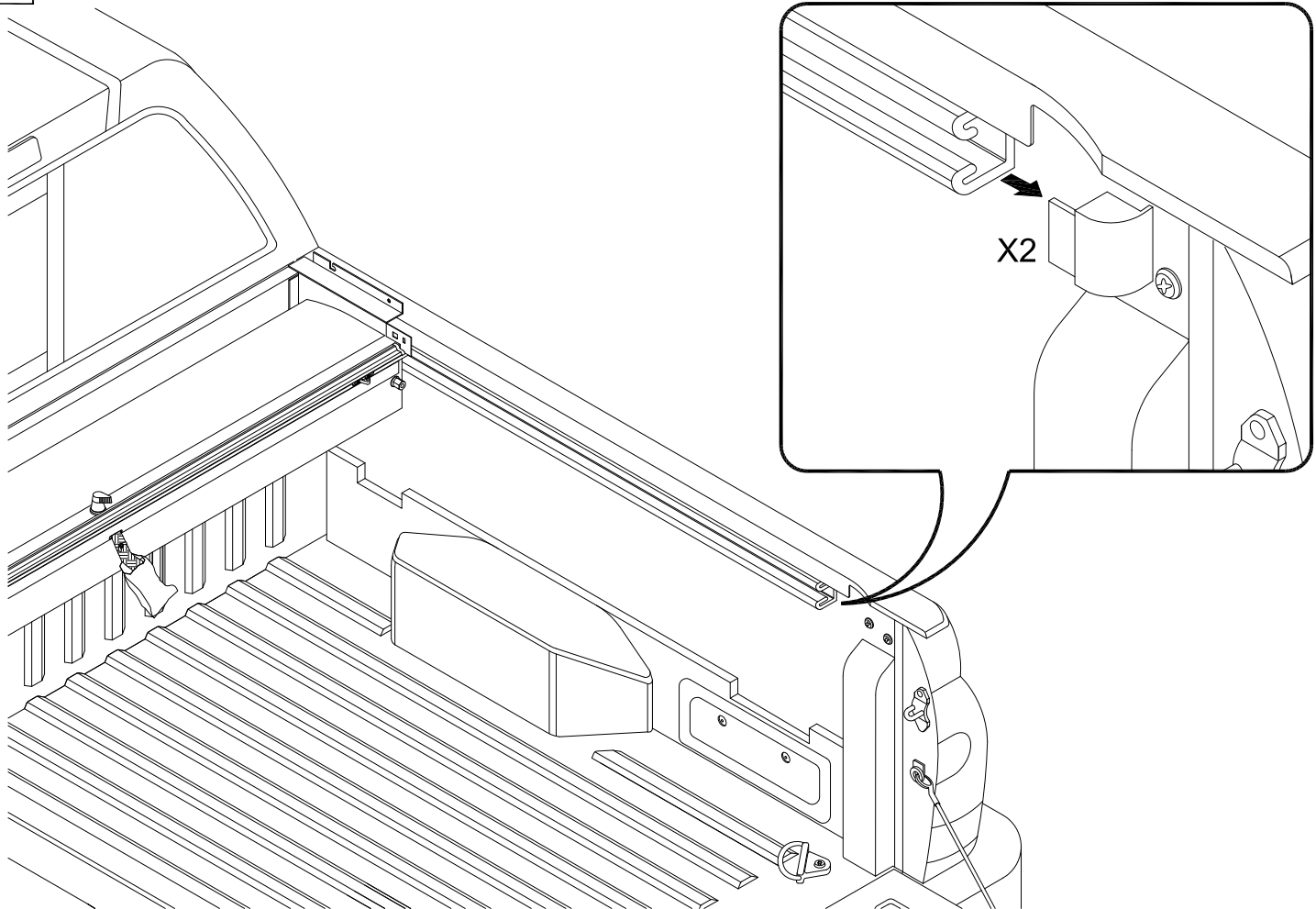
3

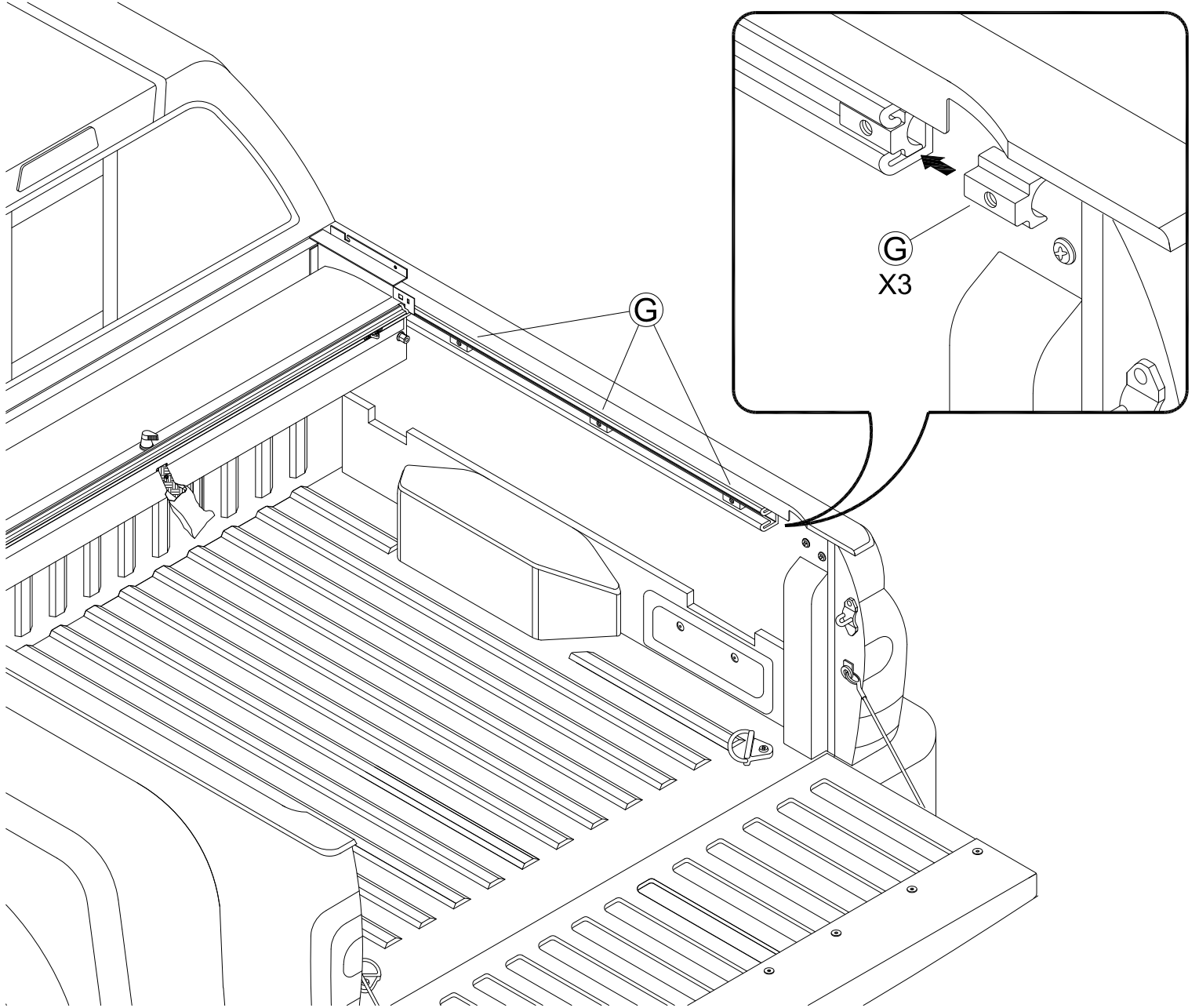


4 LHS = RHS



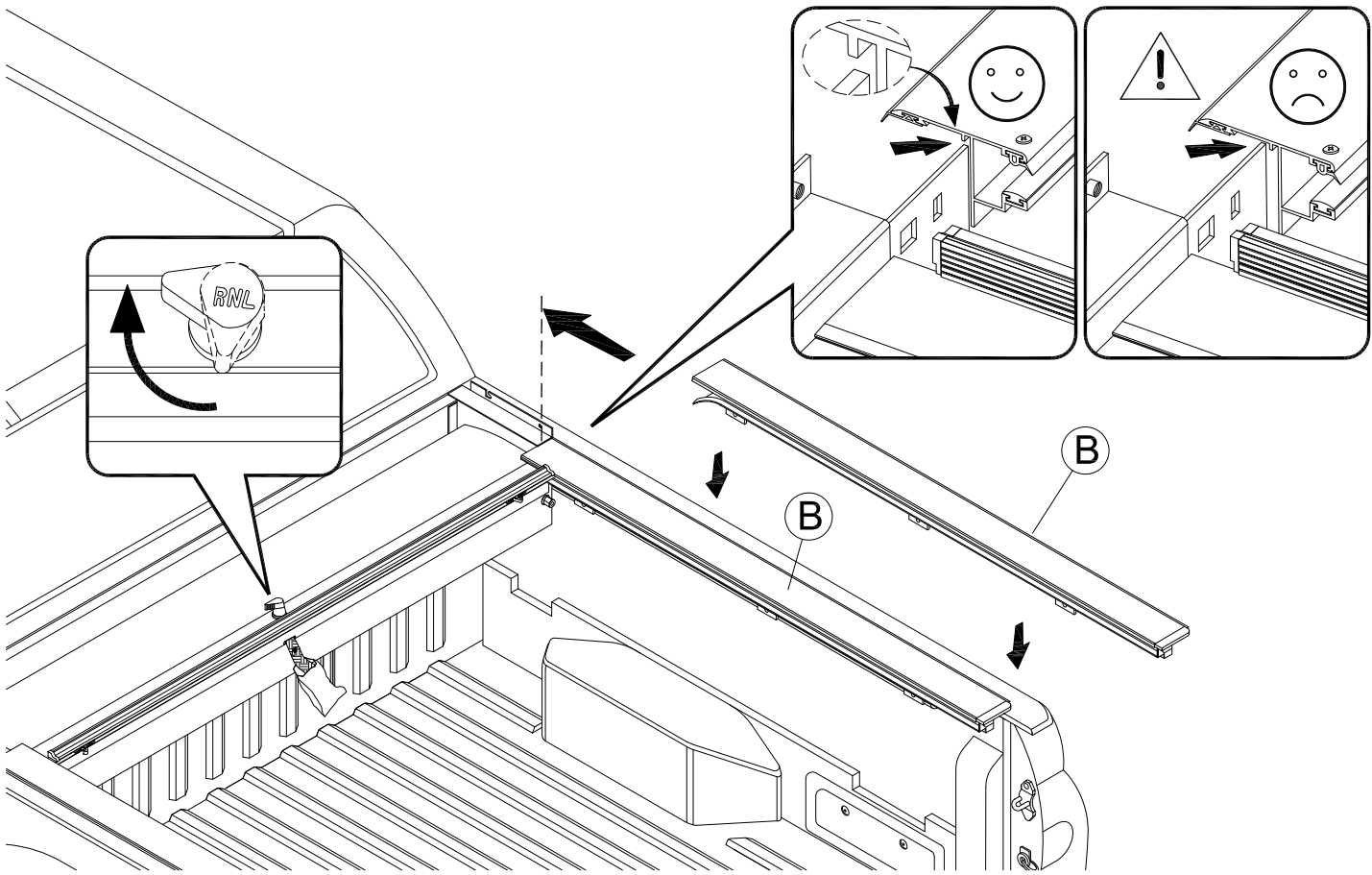
5 LHS = RHS



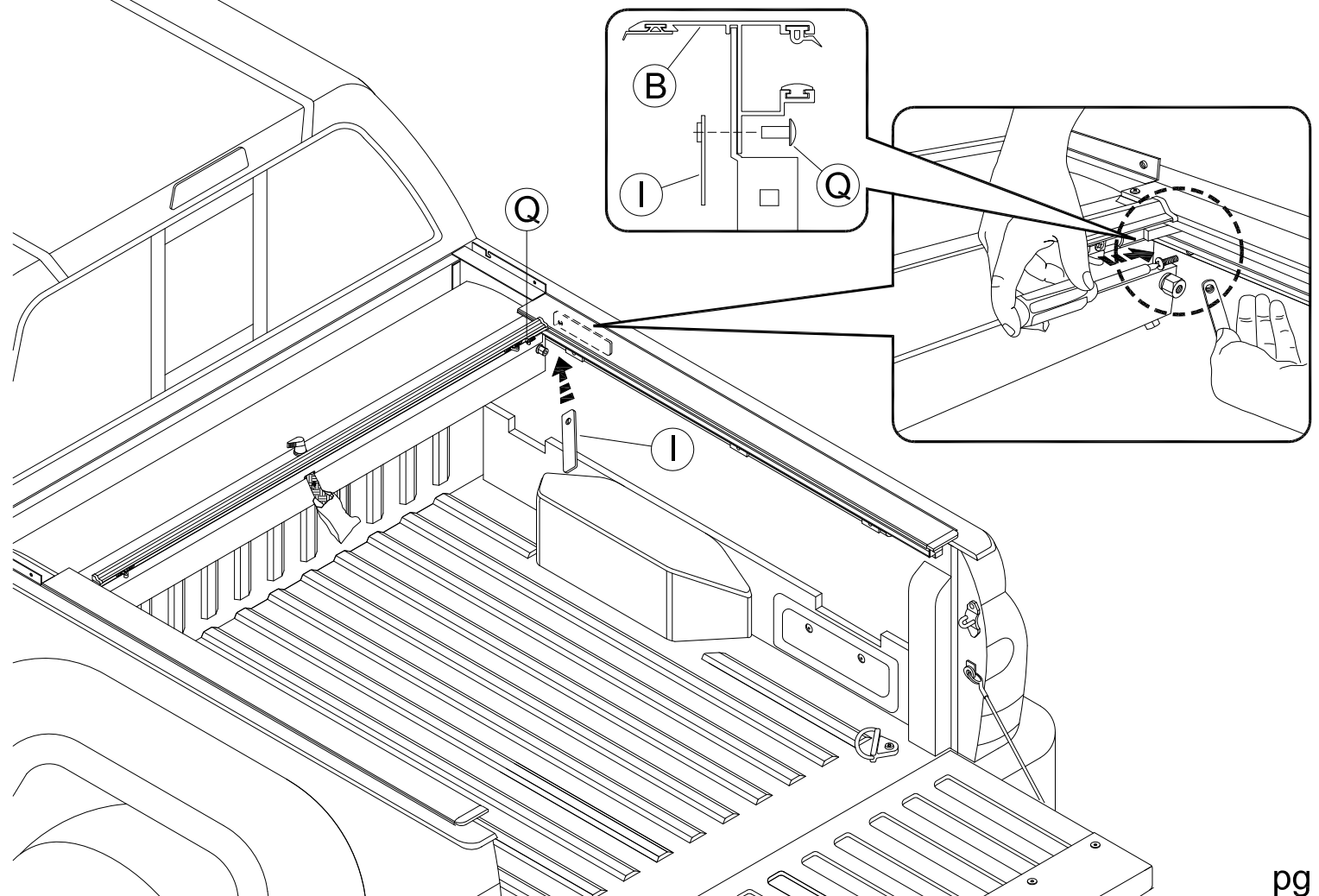


See supplemental instructions attached  
to the Tailgate Extrusion - part **C**

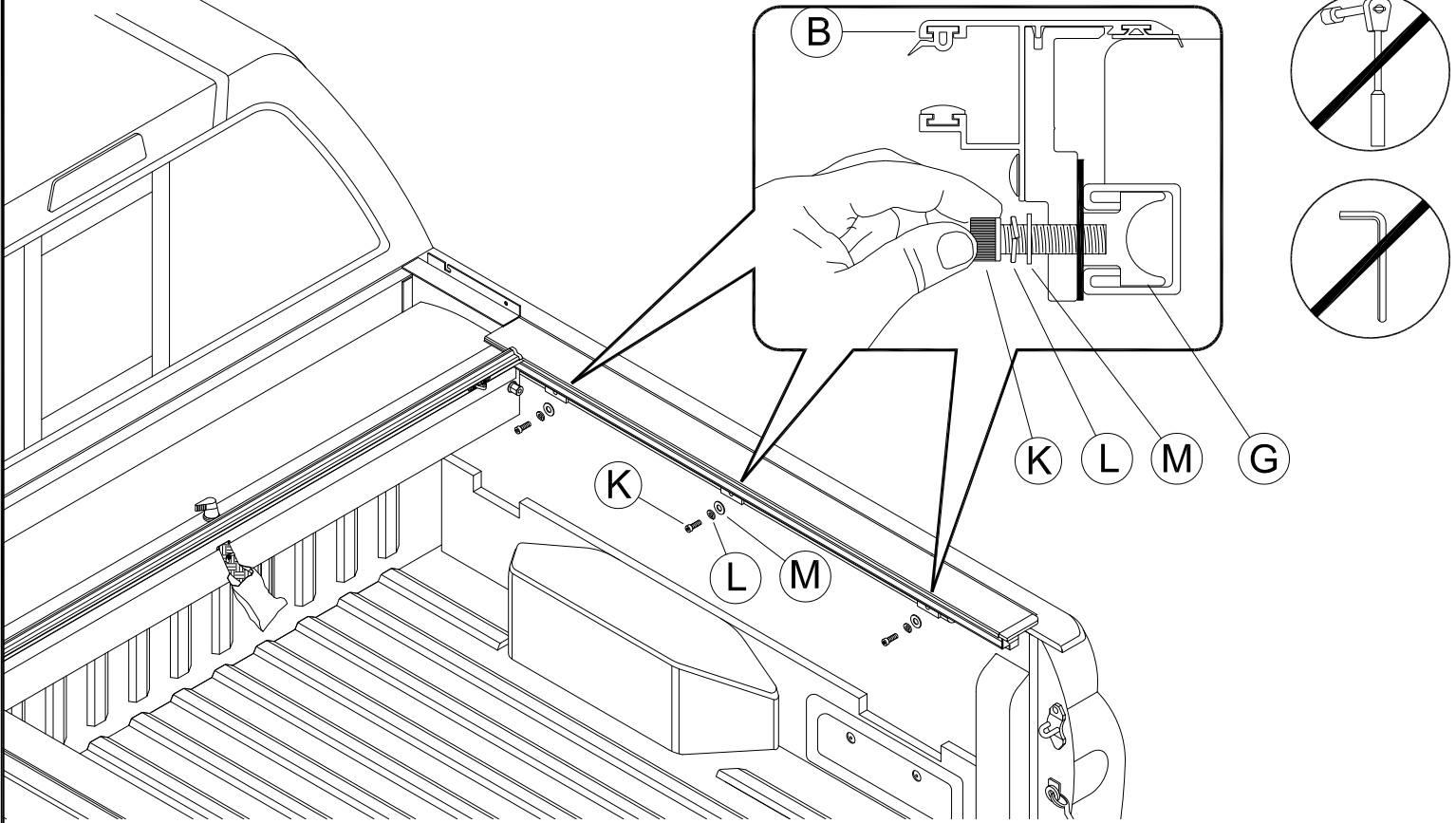
7 LHS = RHS



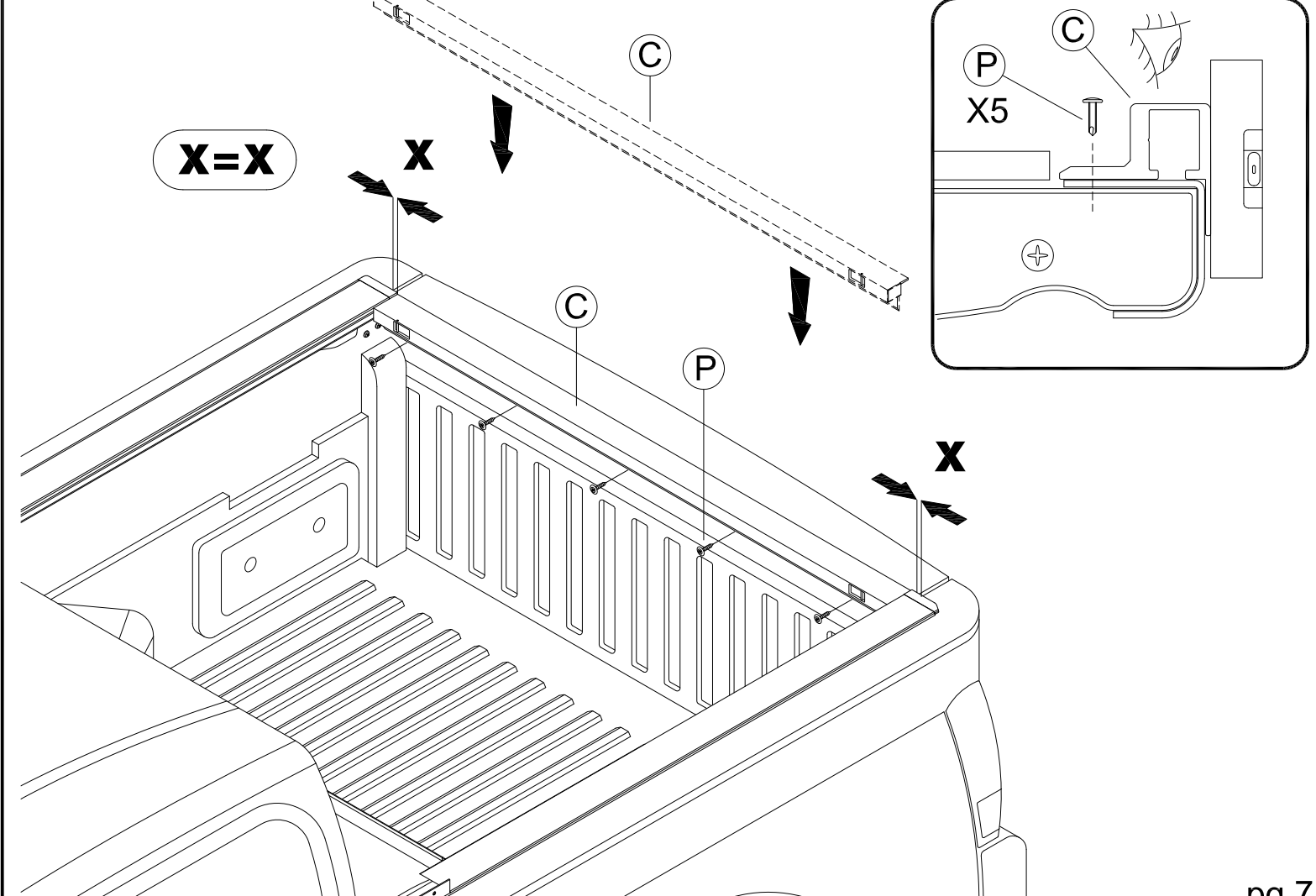
8 LHS = RHS



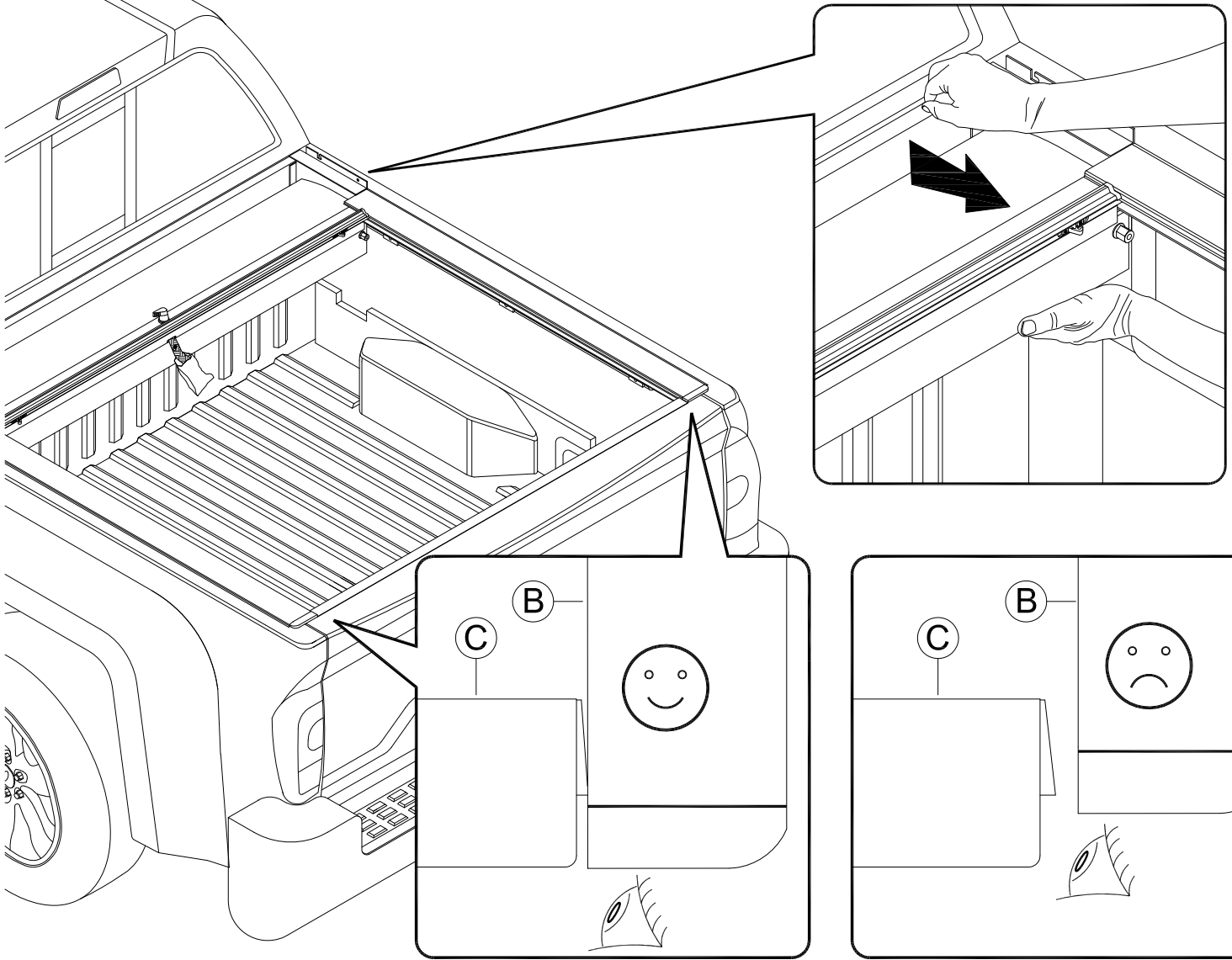
9 LHS = RHS



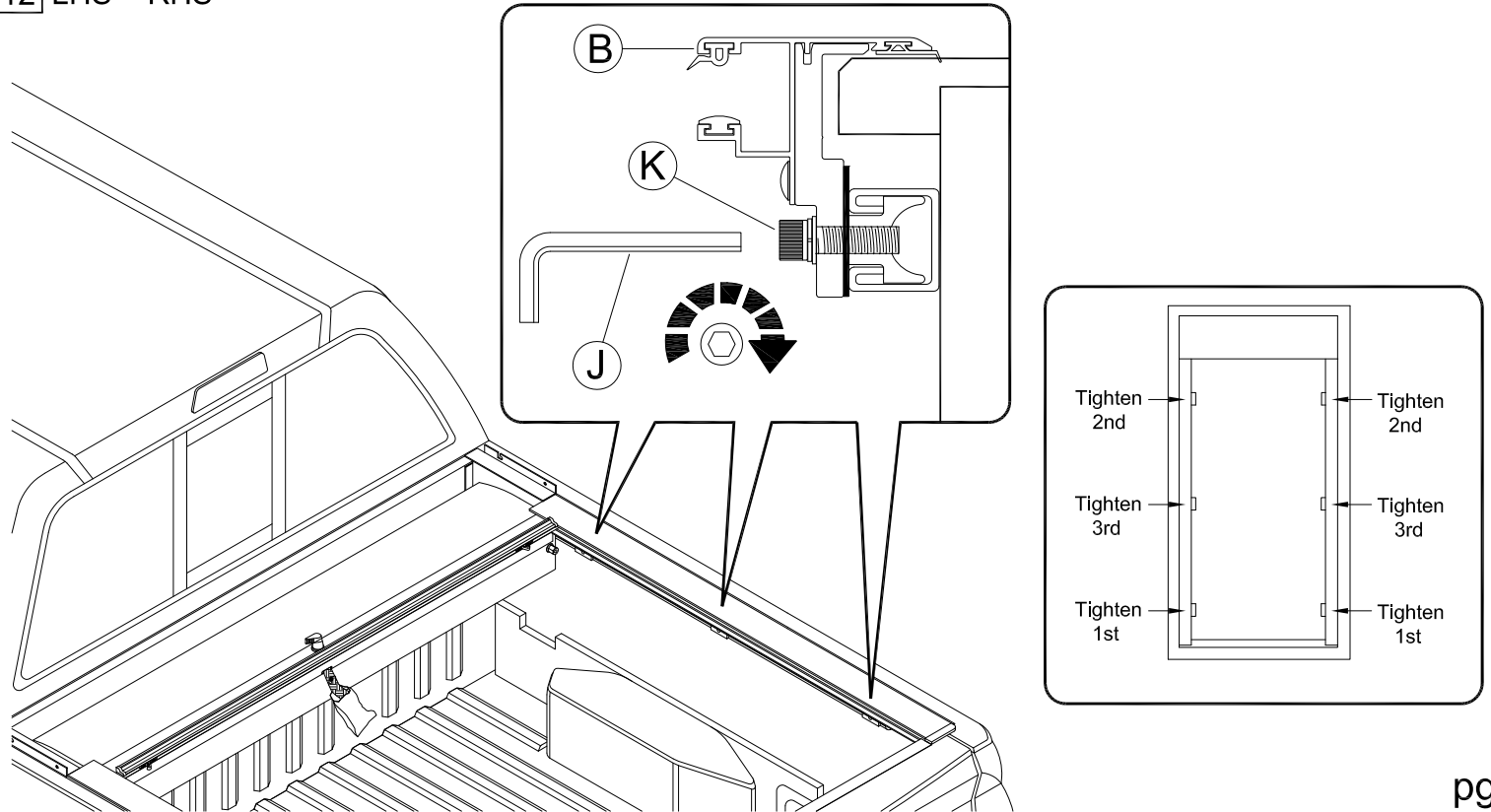
10



11 LHS = RHS

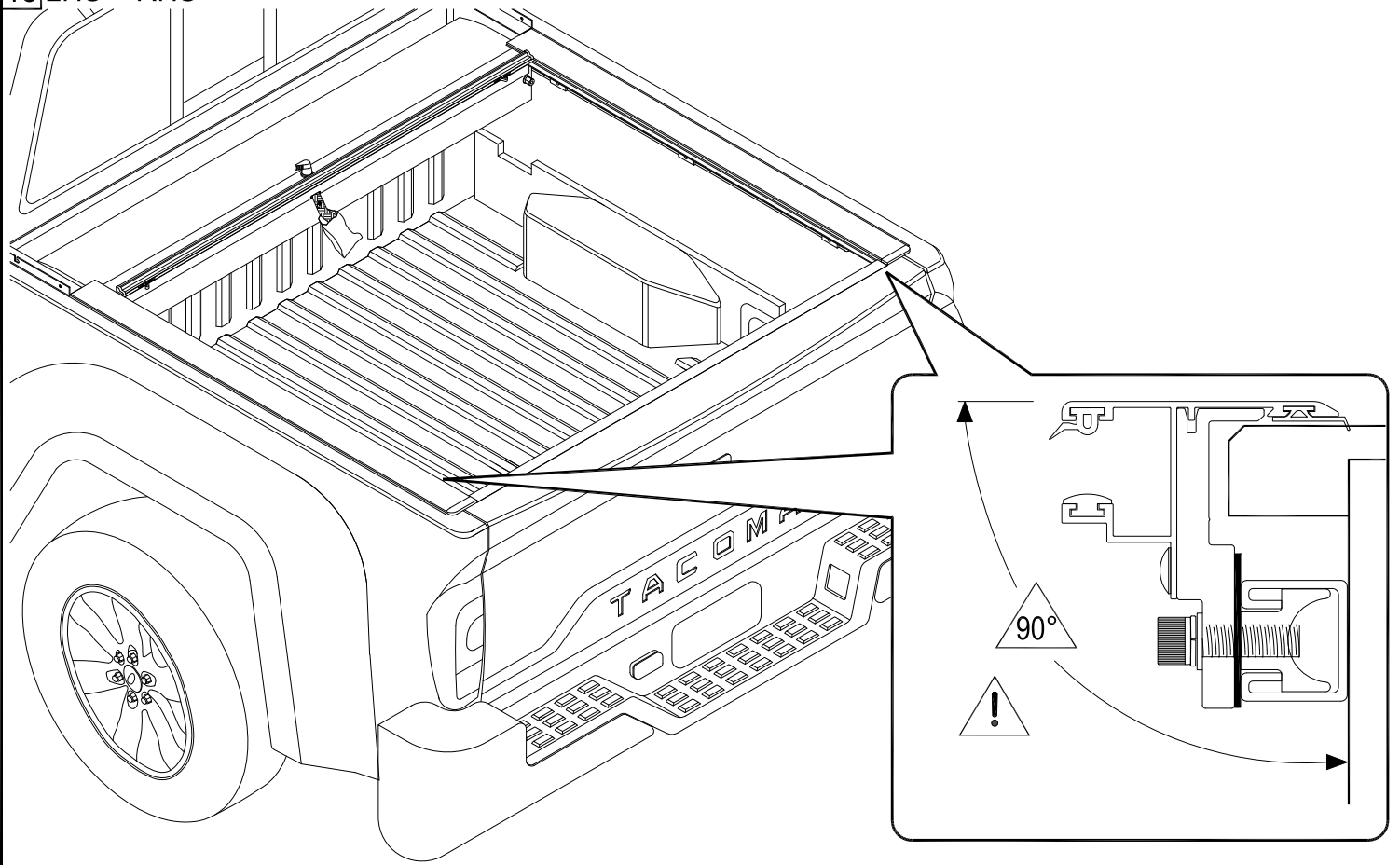


12 LHS = RHS

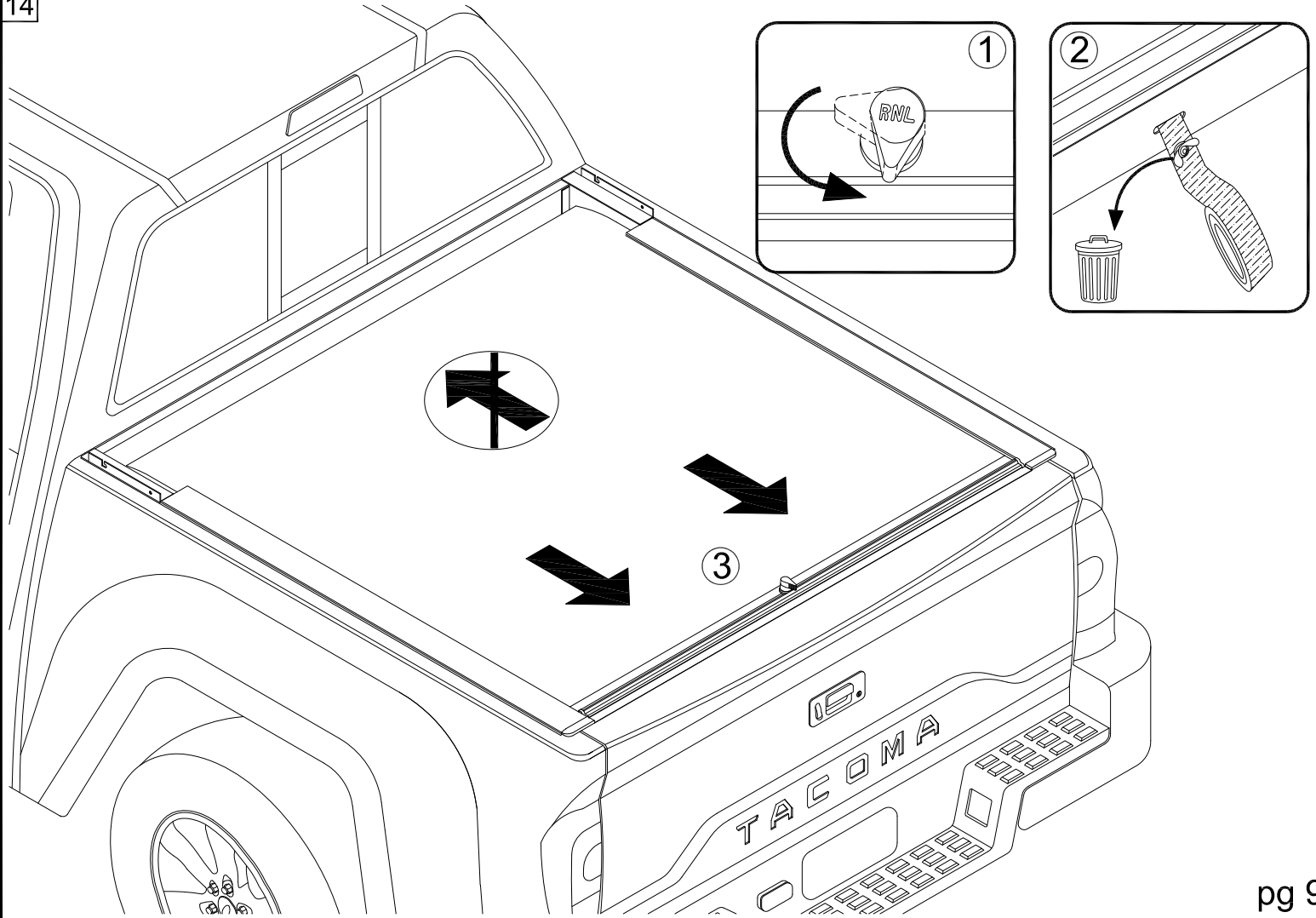




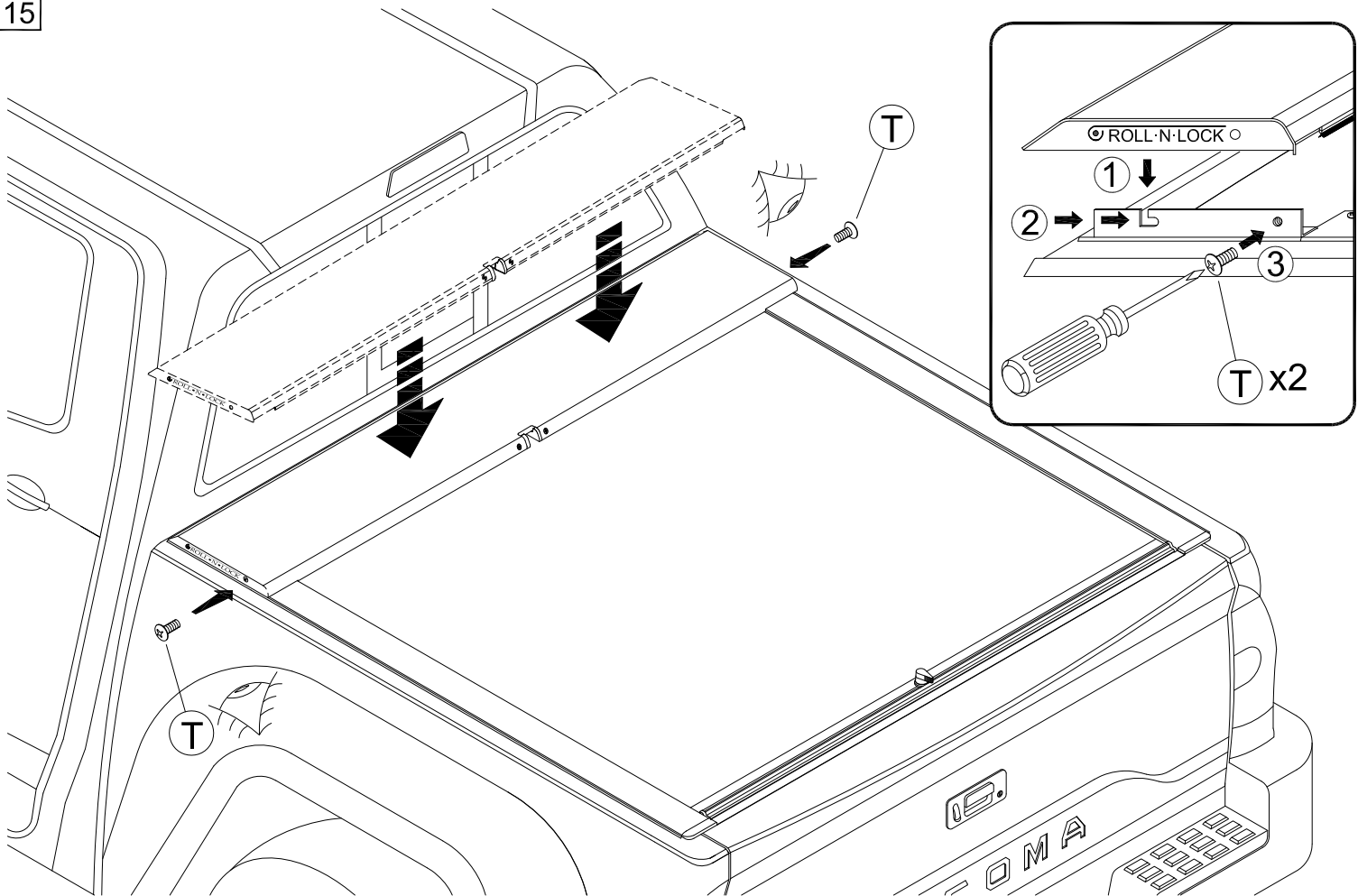
13 LHS = RHS



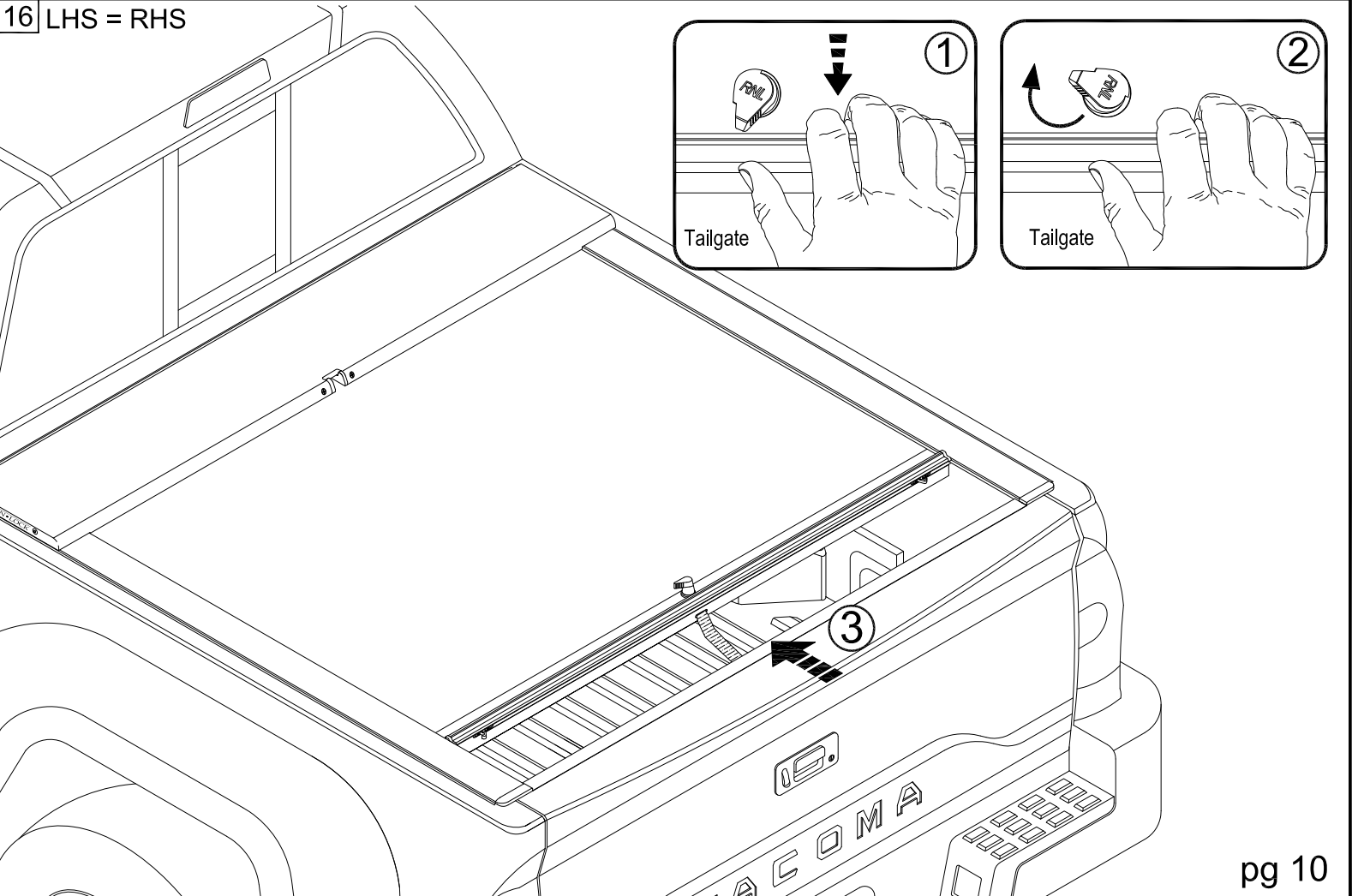
14



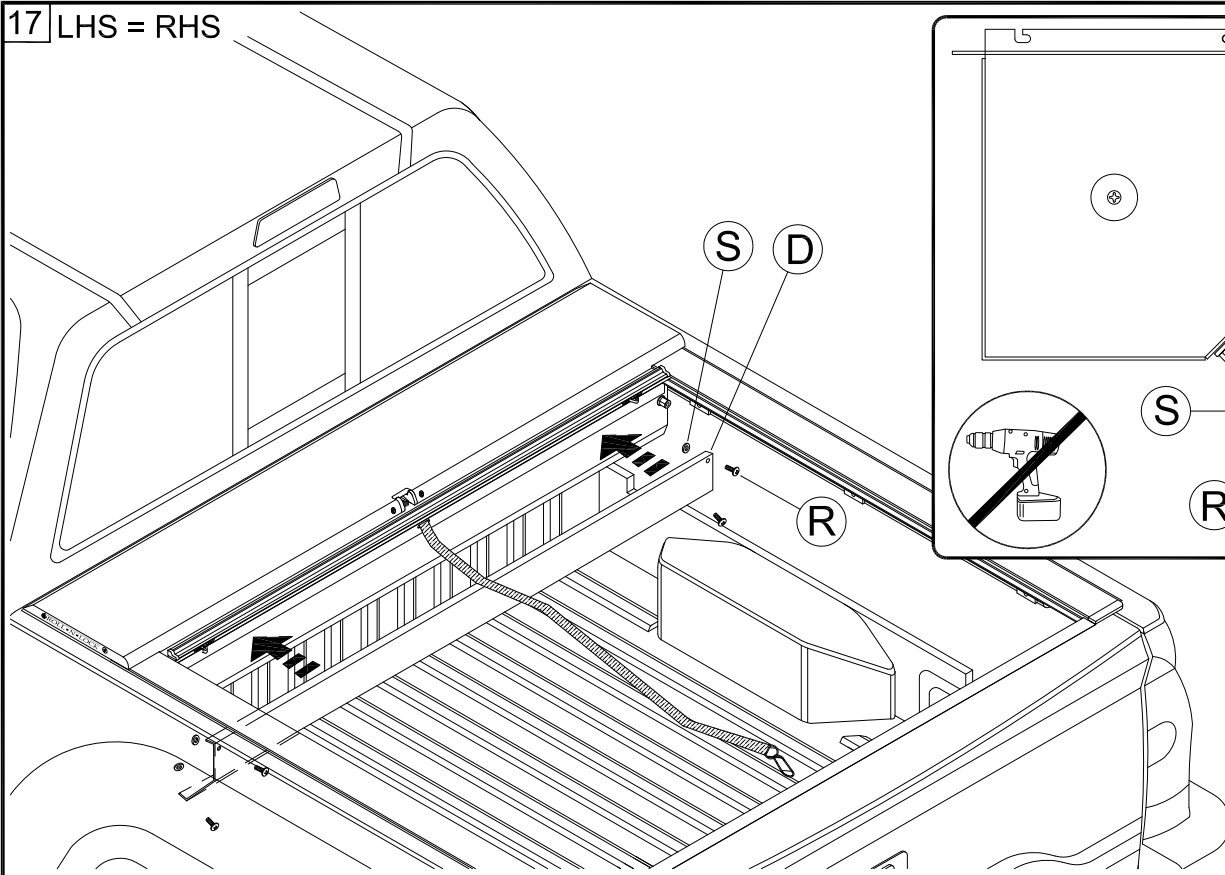
15



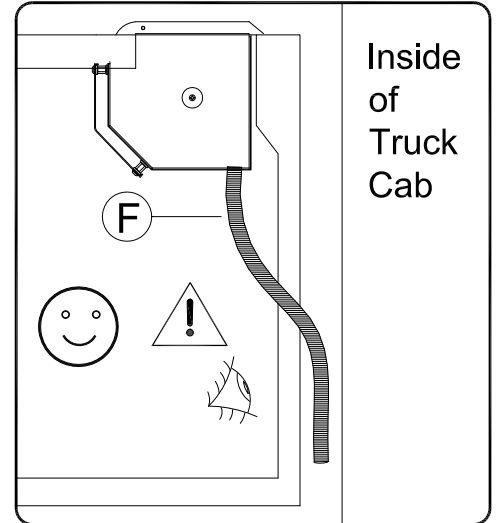
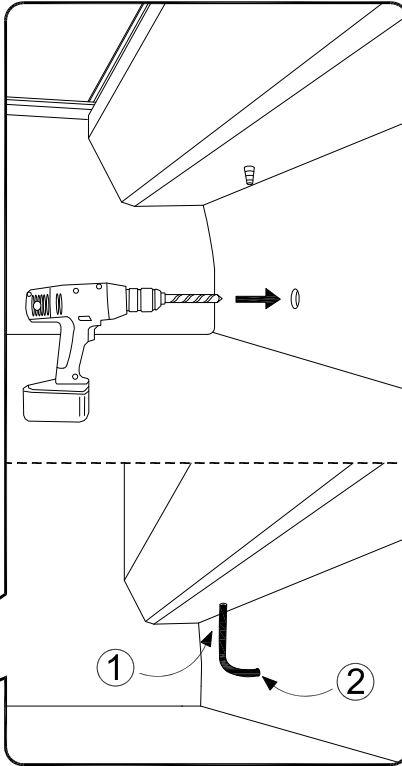
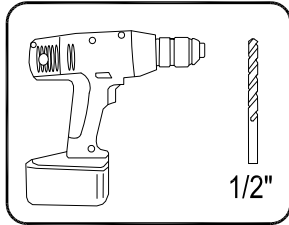
16 LHS = RHS



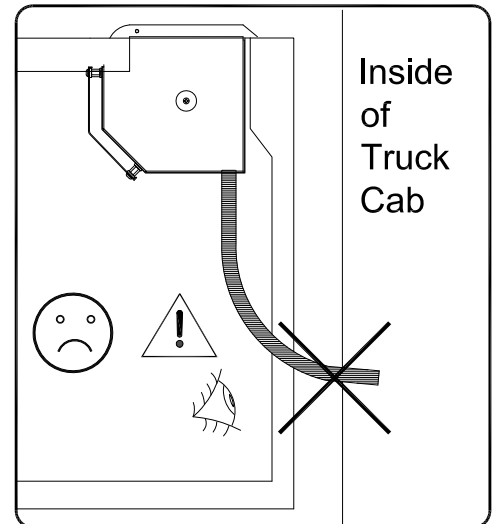
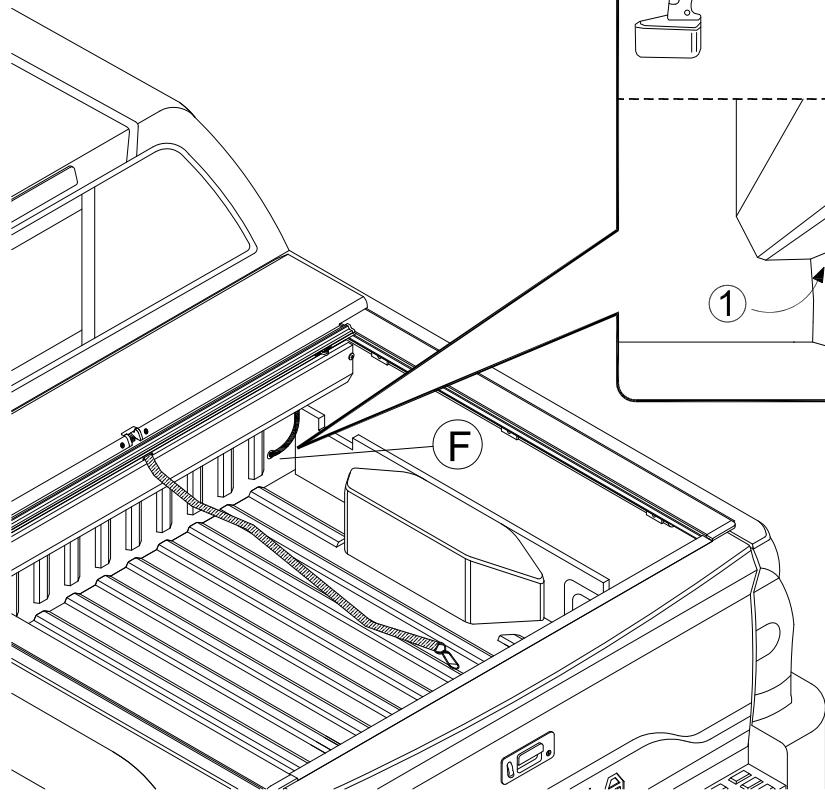
17 LHS = RHS



18 LHS = RHS

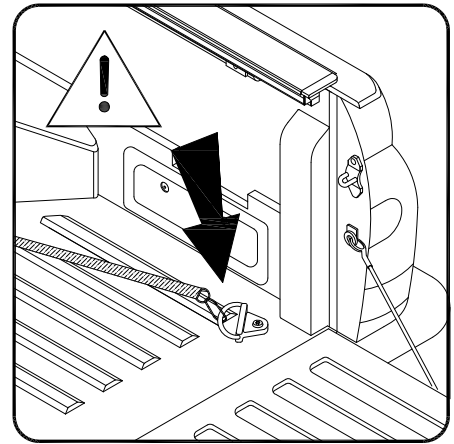
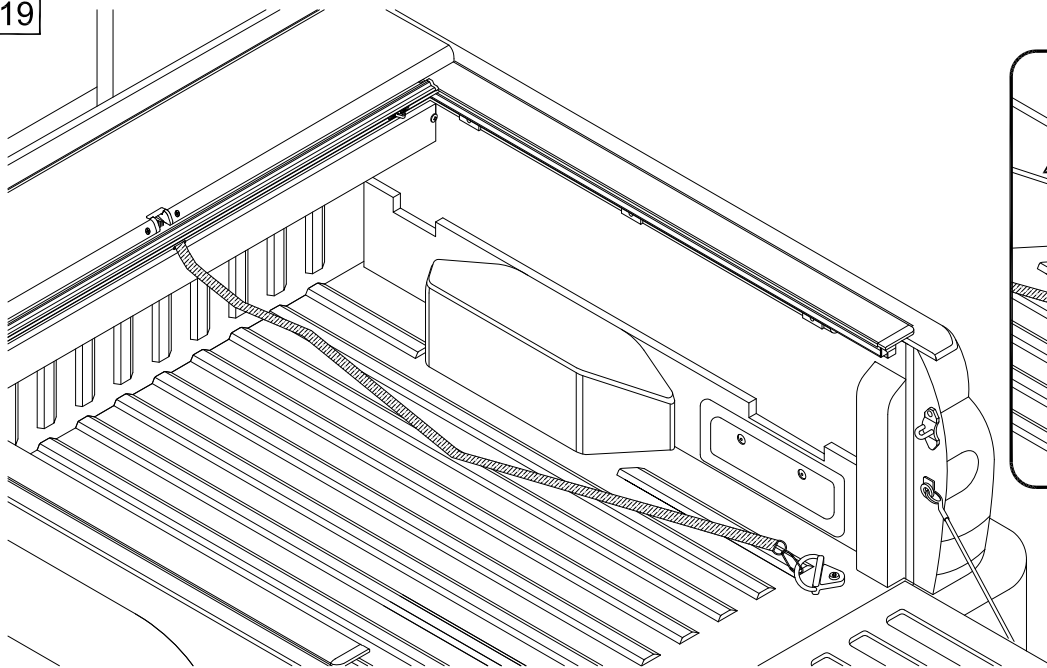


Inside of Truck Cab



Inside of Truck Cab

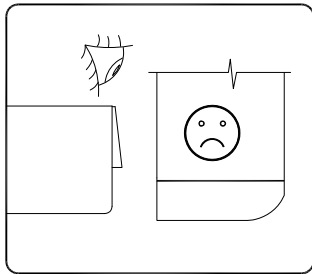
19



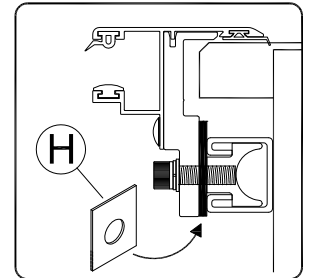
20

## Trouble Shooting

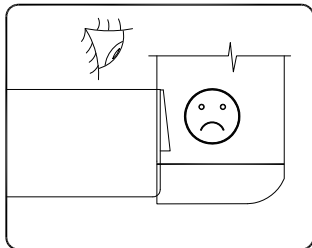
Gap between the track and tailgate extrusion.



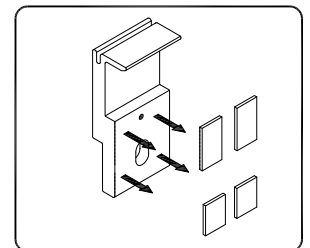
Add supplied shim to rear clamp.



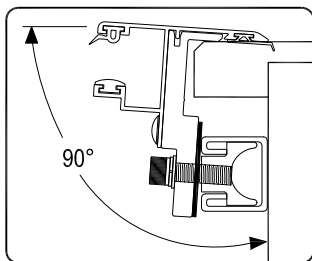
Track hits the tailgate extrusion.



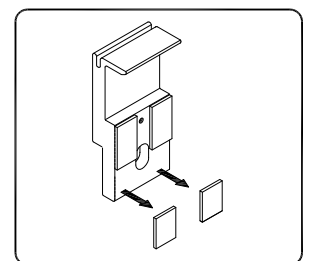
Remove all shims from rear clamps.



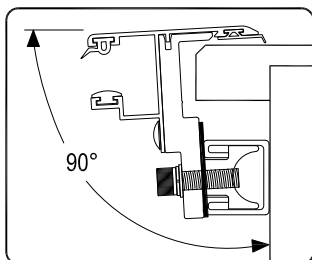
Track tips up.



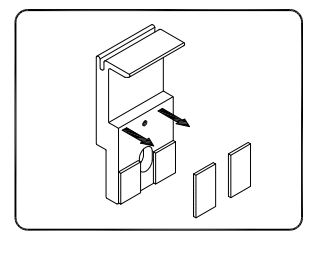
Remove bottom shims from rear clamps.



Track tips down.



Remove top shims from rear clamps.



Questions? Please call Roll•N•Lock  
Customer Service at 800-952-7655