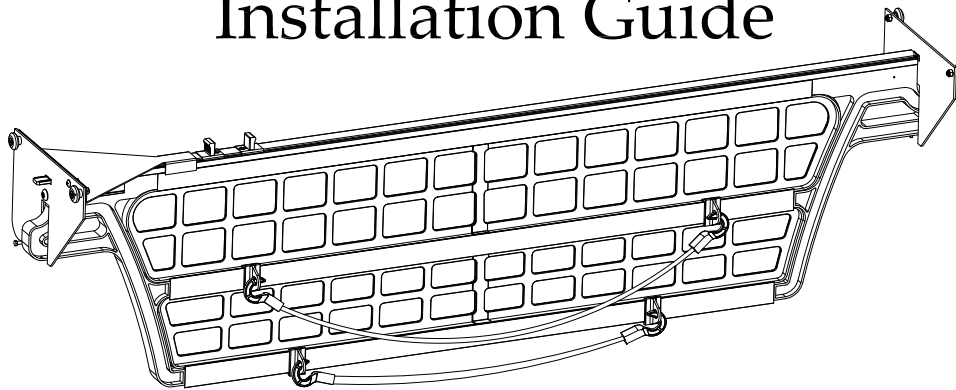


# CARGO/MANAGER™

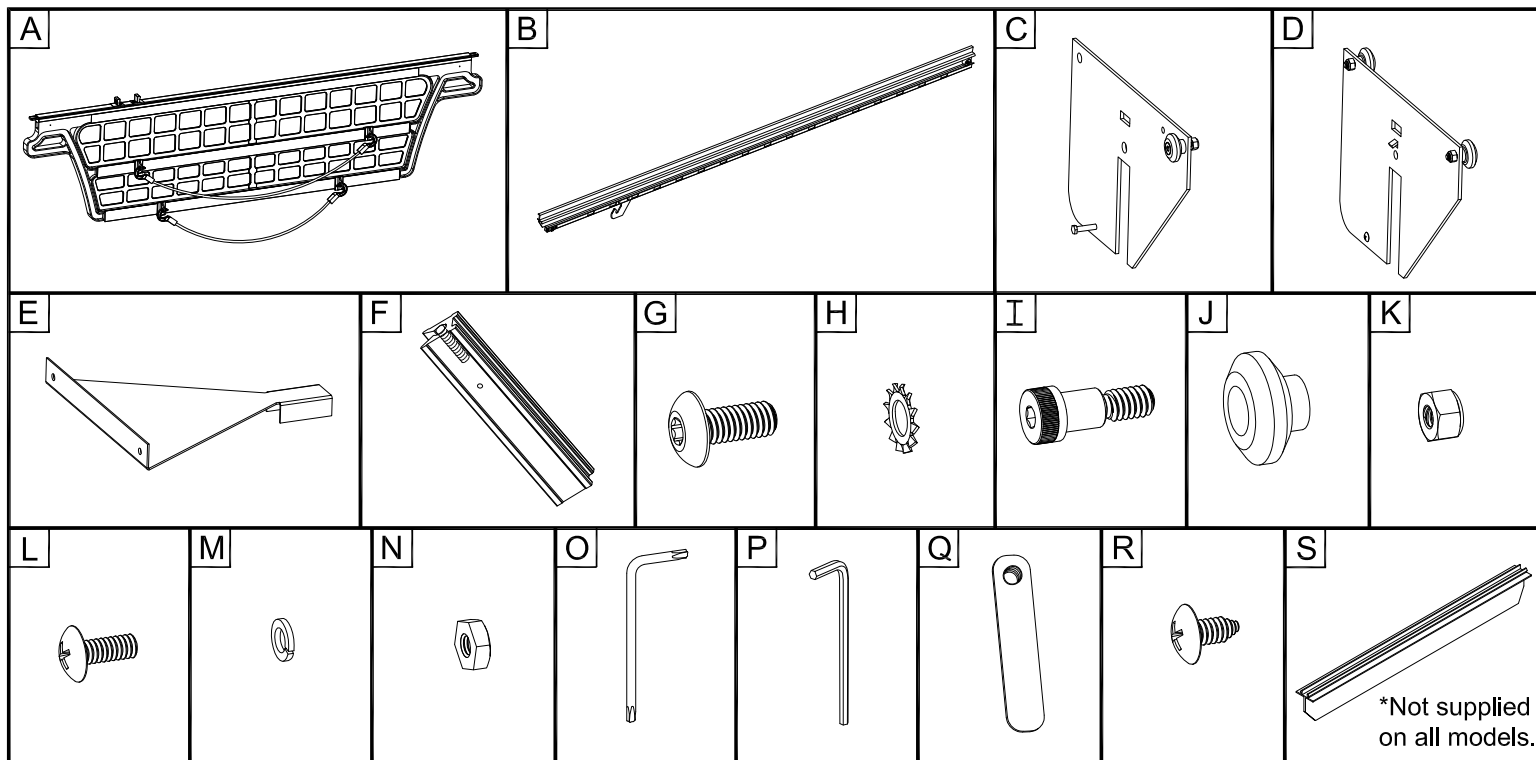
## Installation Guide



### Parts List

Item	Part Name	Qty.	Item	Part Name	Qty.	Item	Part Name	Qty.
A	Cargo Manager Gate	1	G	Torx Head Screw	2	M	#10 Lock Washer	1
B	Cargo Manager Track	2	H	Star Washer	2	N	#10-24 Nut	1
C	Left side Tram Plate	1	I	Shoulder Bolt	1	O	Torx Key	1
D	Right side Tram Plate	1	J	Delrin wheel	1	P	3/16" Allen Wrench	1
E	Gusset Bracket	1	K	1/4-20 Lock Nut	1	Q	Threaded Tang	8
F	Tram Plate Stem	2	L	10-24 x 1/2" Truss Head Screw	9	R	#6 x 3/8" Truss Head	1
						S*	Bottom Rail Extender	1

\*Not supplied on all models.

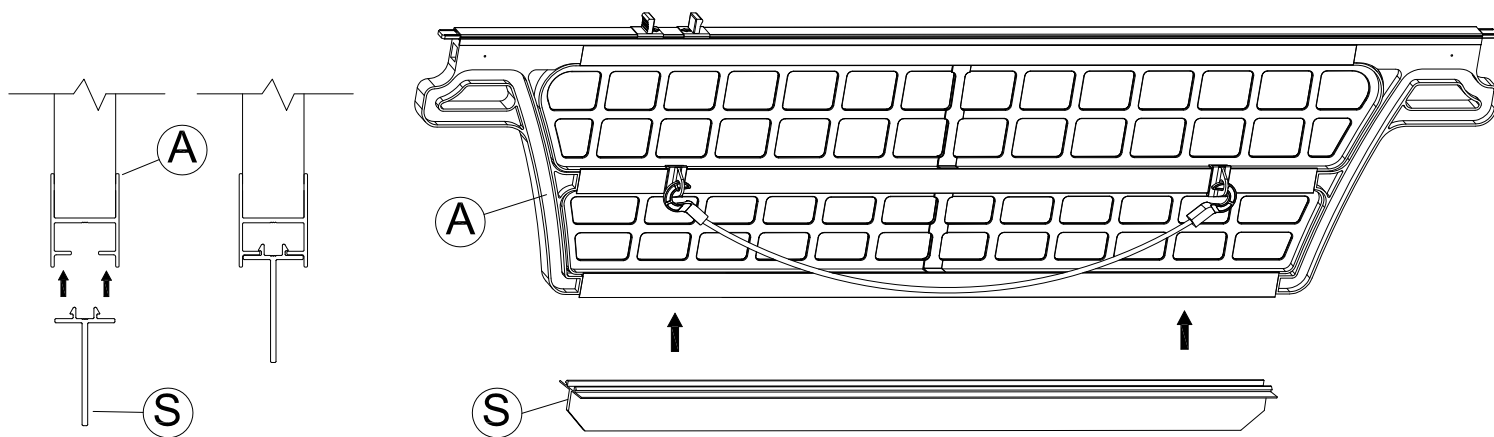


Any questions please call Customer Service at 800-952-7655

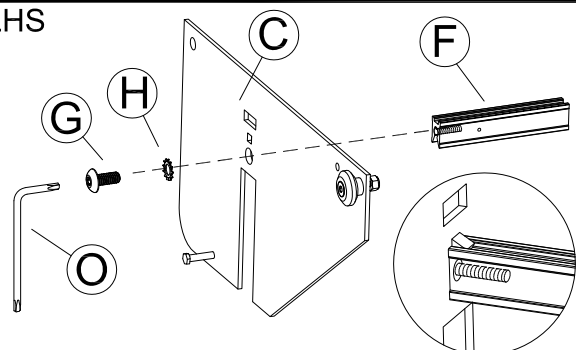
or email [customerservice@rollnlock.com](mailto:customerservice@rollnlock.com)

Roll-N-Lock Corporation  
 954-785-7655 | [www.rollnlock.com](http://www.rollnlock.com)  
 RNLDOC01-82-3 9-18-19

Optional: Snap the Bottom Rail Extender (S) to the bottom of the Cargo Manager Gate (A).  
 Note: Not all models are supplied with the Bottom Rail Extender.



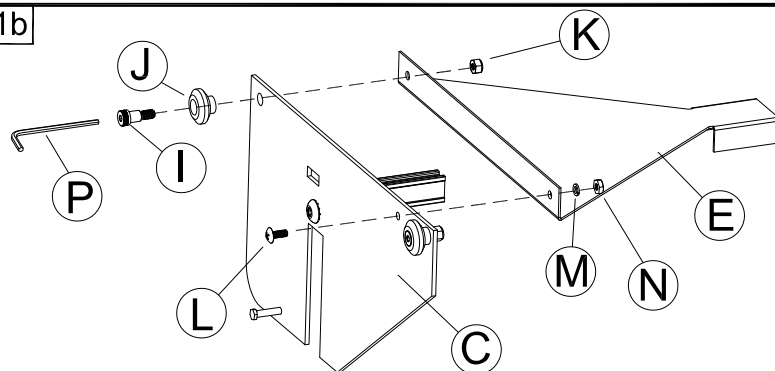
1a LHS



Note: Key threaded end of Stem onto tab.

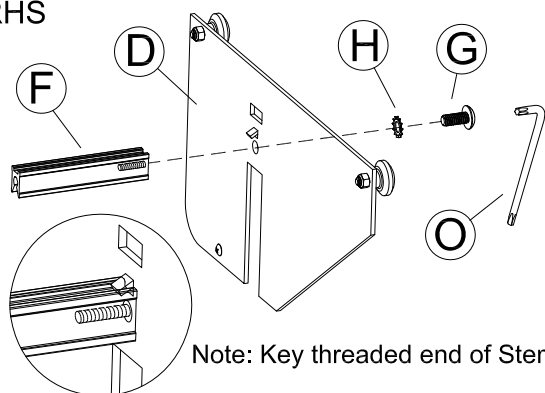
Attach threaded end of Stem (F) to Left side Tram Plate (C).

1b



Attach Gusset Bracket (E) to Left side Tram Plate (C).

2 RHS

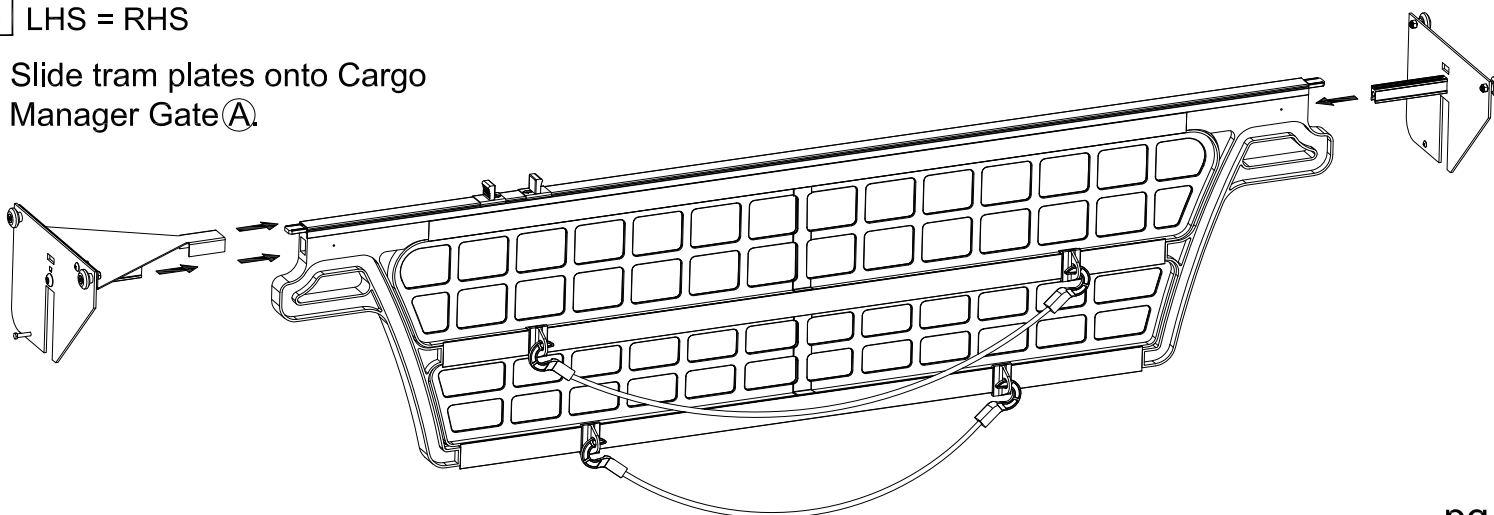


Note: Key threaded end of Stem onto tab.

Attach threaded end of Stem (F) to Right side Tram Plate (D).

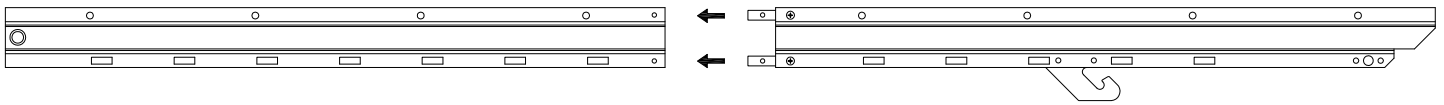
3 LHS = RHS

Slide tram plates onto Cargo Manager Gate (A).

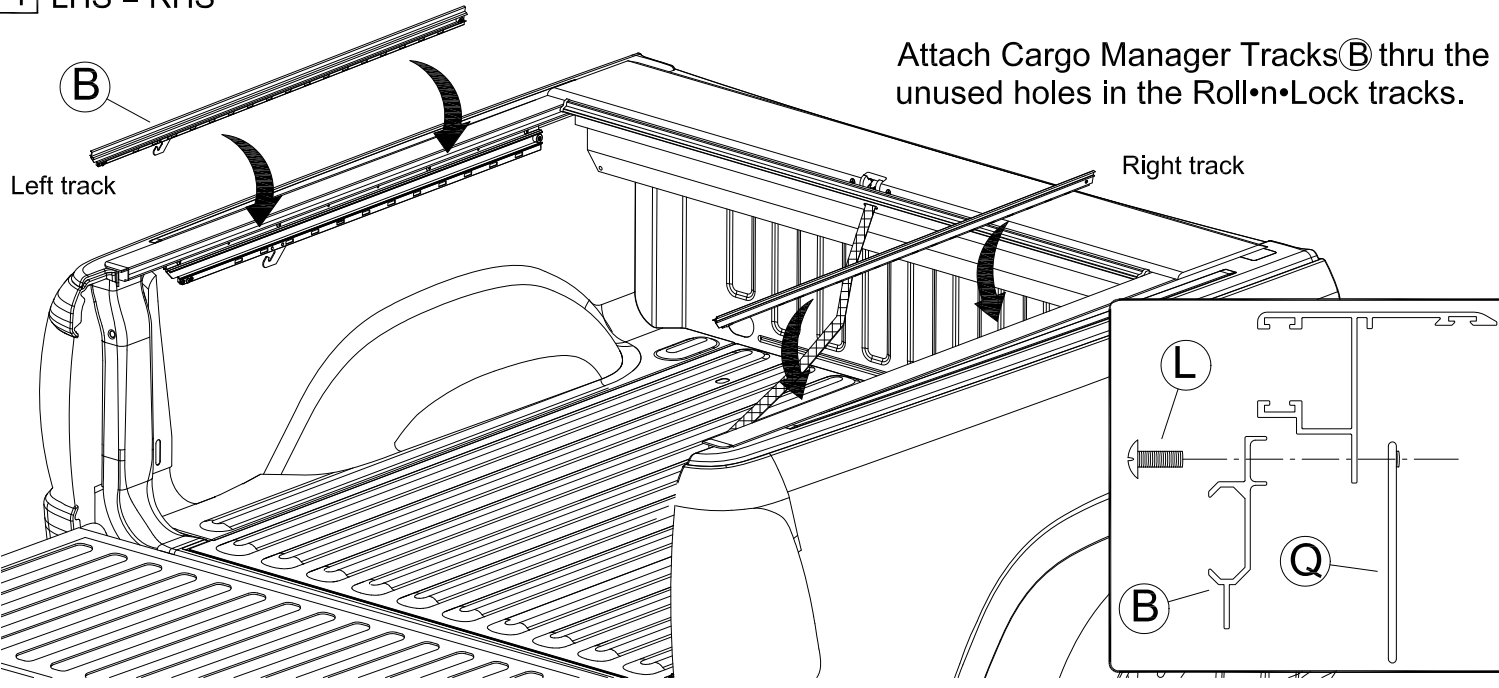


LHS = RHS

Long bed tracks are shipped apart and must be joined prior to installation.



4 LHS = RHS



Attach Cargo Manager Tracks (B) through the unused holes in the Roll•n•Lock tracks.

Left track

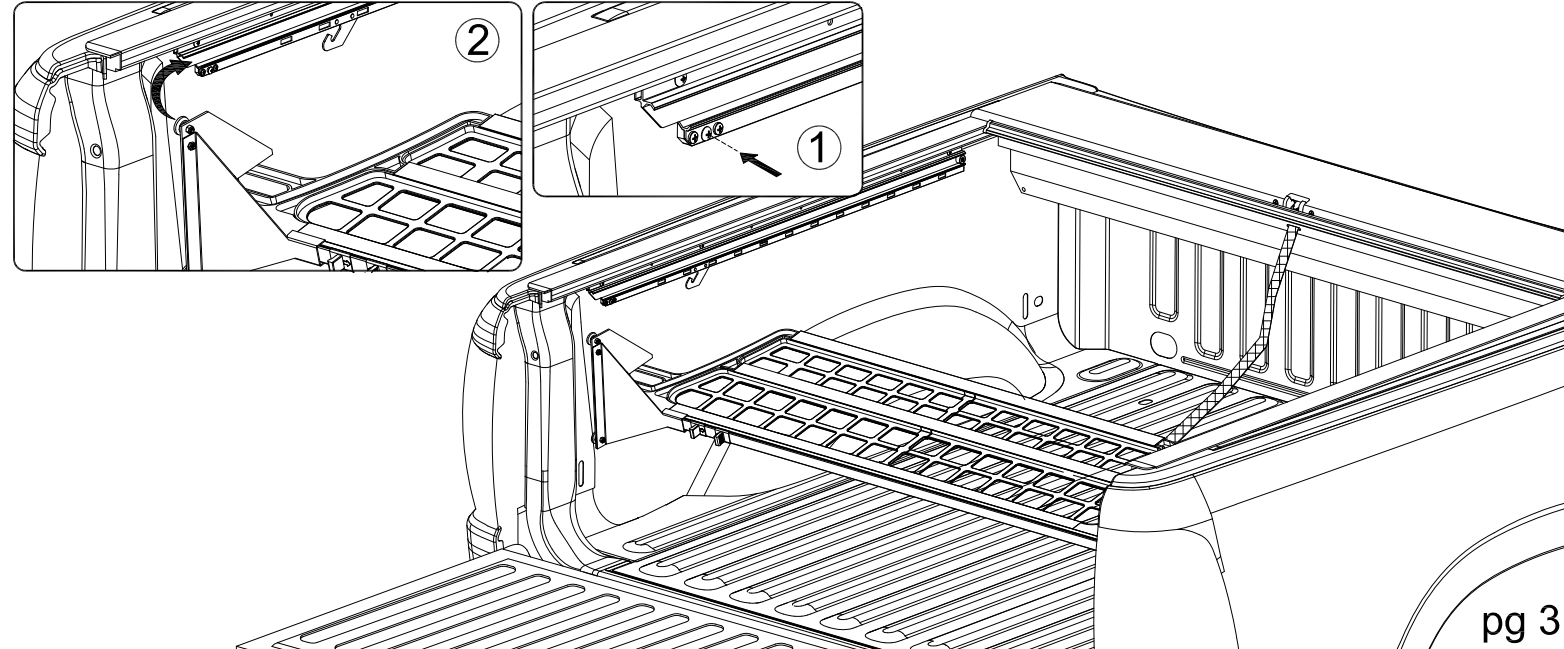
Right track

Passenger side shown

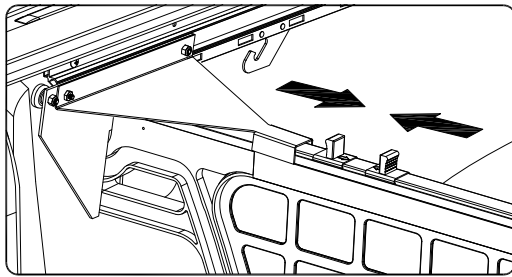
Note: Notched end towards the tailgate.

5 LHS = RHS

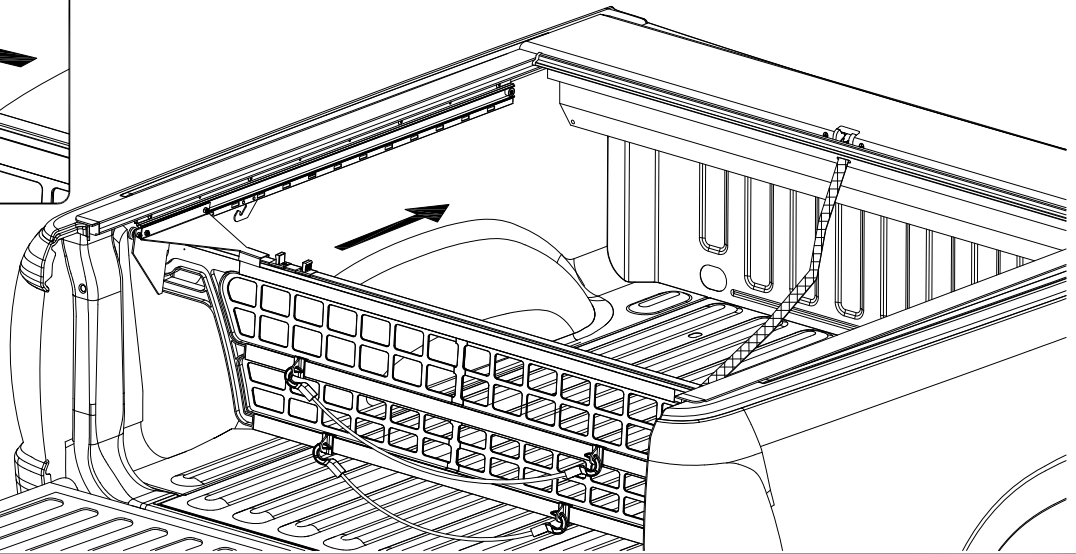
- 1 Push the track stop pins outward.
- 2 Maneuver the assembled Cargo Manager around the back truck bed posts, rotate the Cargo Manager and insert the lead wheel on each side into the tracks.



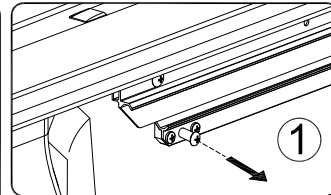
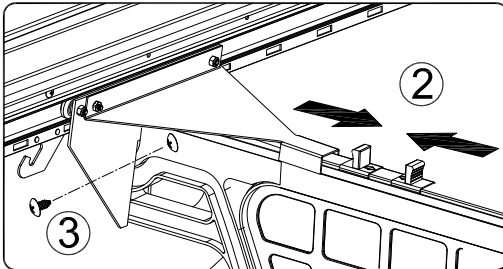
6



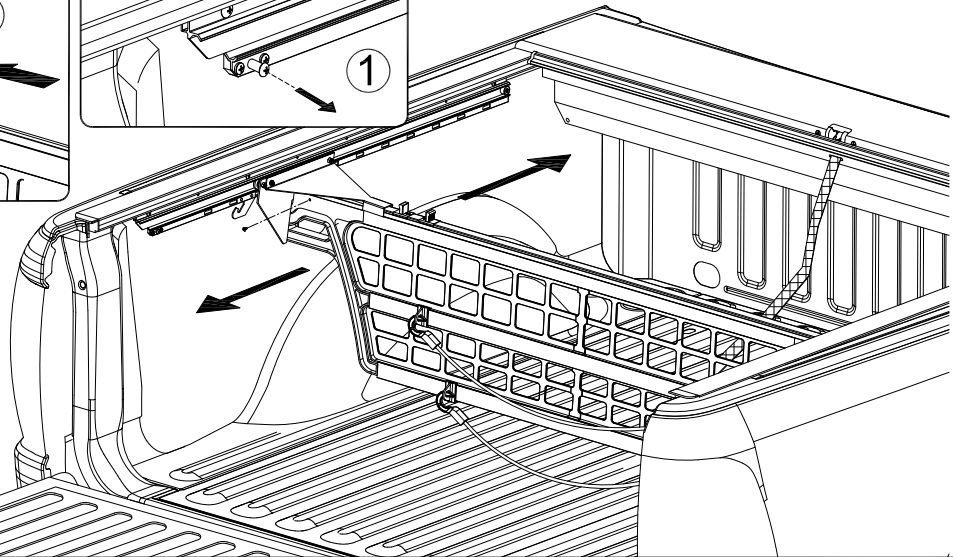
With the lead wheels in place, squeeze the levers and rotate the Cargo Manager level and key the back wheels into the tracks.



7 LHS = RHS



1. Press the track stop pin inward to prevent the wheels from leaving the track.
2. Squeeze the levers to operate the Cargo Manager back and forth, release at desired location.
3. Optional: Screw R tram plate to stem



8 LHS = RHS

If desired push track stop pins in, slide Cargo Manager back so only the back wheels are out of the track. Rotate the Cargo Manager and key the stay pins onto the track hooks.

