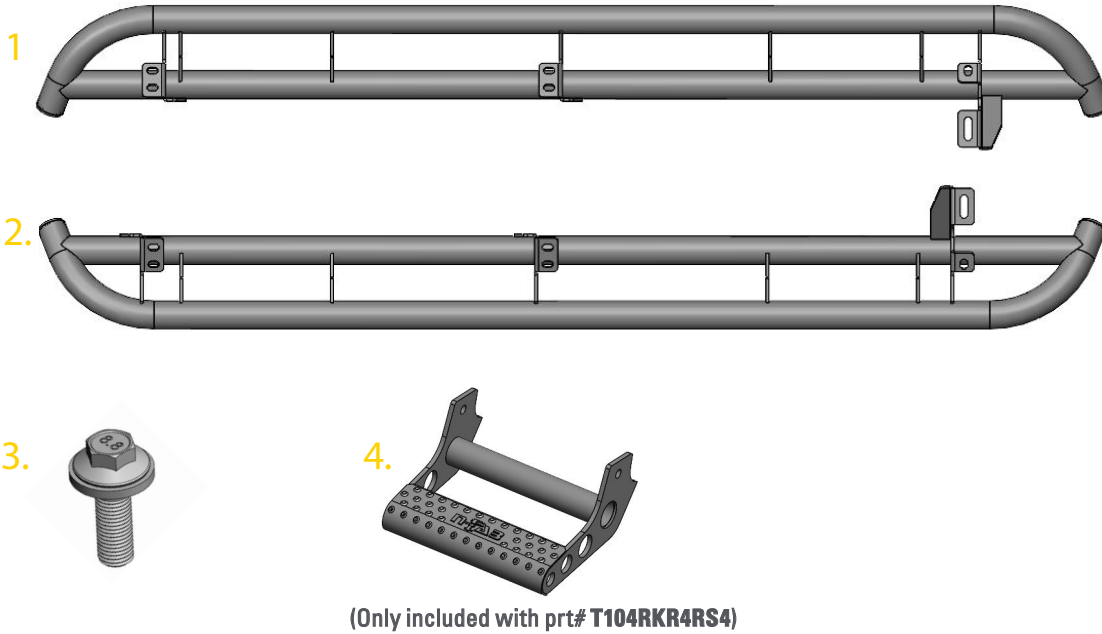


## Components and Hardware: HWKT-03054X



### Components and Hardware:

- 1. Driver side rail.....(1)
- 2. Passenger side rail.....(1)
- 3. M8-1.25x30mm class 8.8 flanged bolt w/washer.....(12)
- 4. Detachable step (Only included with prt# T104RKR4RS4).....(4)

### Tools for Installation:

- 13mm socket
- Ratchet wrench
- 3/4" wrench (For detachable steps only)



DESERT BORN, ROAD READY.™

PART# T104RKR4/ T104RKR4RS4  
10-23 4RUNNER TRAIL EDITION

RKR RAIL /STEP SYSTEM  
INST-02602

# INSTALL

Step 1. Remove any factory steps and hardware.

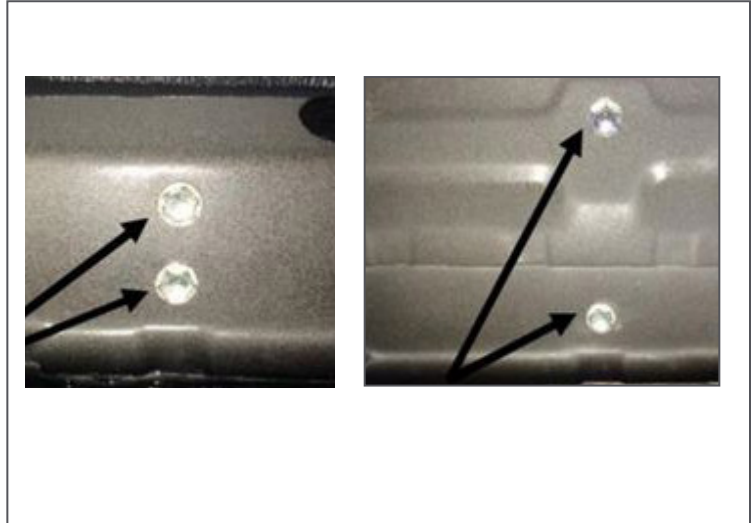
Step 2. Beginning with driver side, position RKR rail up to the body of the vehicle and align brackets with factory mounting locations.

Step 3 Beginning with the center bracket, start one of the (#3) M8x30mm hex bolts into the factory bolt location and leave loose. Start the second M8x30mm hex bolt in the same bracket and loosely tighten.

Step 4. Start all remaining M8x30mm hex bolts in each bracket and leave loose.

Step 5. After final positioning, start at the rear of the vehicle and tighten the lower portion of the bracket to (15-20 ft/lbs) of torque. Continue this until all of the lower have been tighten then move to the top bolt and repeat the process.

Step 6. Repeat process with passenger side.



## Detachable step Install

( Purchased with prt# T104RKR4RS4)

Step 1. Attach the step to the mounts located in between the RKR rails using the supplied 1/2" x 1" flanged hex bolts and 1/2" flanged hex nuts. NOTE: The step will mount to the left of the bracket opposite of the weld.

Step 2. Tighten hardware to 65 (ft/lbs).

