

GMRS15

Rear suspension package Ensemble pour suspension arrière Ensemble para suspensión de trasero

INSTALLATION INSTRUCTION

- Locate and remove OE bumpstop. If there is not enough space for tool assembly, partially raise vehicle until space is sufficient.
- Assemble Steel disc, rubber spacer and Aeon rubber spring as shown in the adjacent diagram. Mount to vehicle frame using Timbren supplied fasteners.
- Torque bolt to 30-35 Ft.-lbs.
- Lower vehicle, if necessary.

Overall Height: 5 5/8"

Do not exceed vehicle manufacturer's recommended axle weight rating. Check for AEON® interference with vehicle components - Under load AEON® will "expand" in diameter.

INSTRUCTIONS D'INSTALLATION

- Localisez et retirez la butée d'origine. S'il n'y a pas assez d'espace pour l'assemblage de l'outil, soulevez partiellement le véhicule jusqu'à ce que l'espace soit suffisant.
- Assemblez le disque en acier, l'entretoise en caoutchouc et le ressort en caoutchouc Aeon comme indiqué sur le schéma ci-contre. Montez sur le châssis du véhicule à l'aide des fixations fournies par Timbren.
- Serrez le boulon à 30-35 pieds-livres.
- Abaisser le véhicule, si nécessaire.

Hauteur totale: 5 5/8"

Ne pas dépasser le poids nominal sur l'essieu recommandé par le fabricant du véhicule. Vérifier que le ressort AEON® n'a pas d'incidence sur d'autres pièces du véhicule - Le ressort AEON® augmentera son diamètre avec la charge.

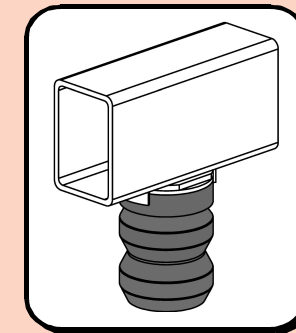
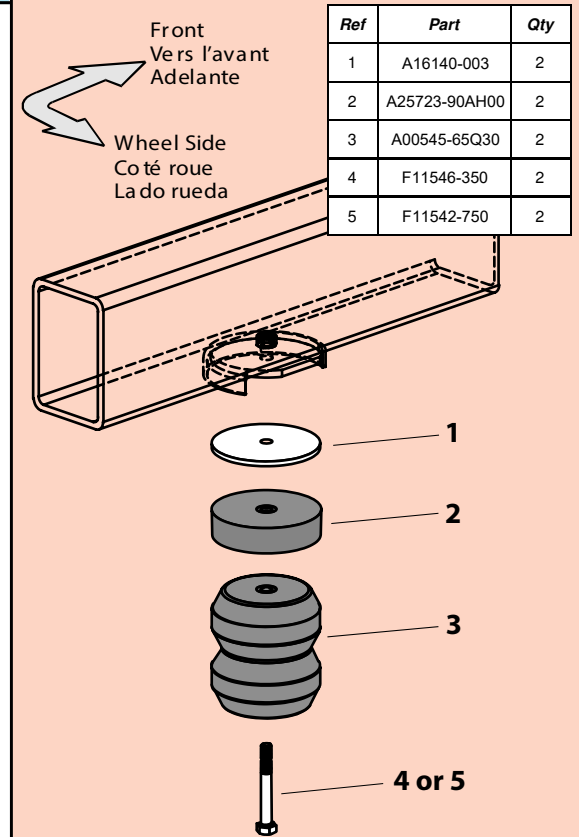
INSTRUCCIONES DE INSTALACIÓN

- Localice y retire el tope de protección del equipo original. Si no hay suficiente espacio para el montaje de la herramienta, levante parcialmente el vehículo hasta que haya suficiente espacio.
- Ensamble el disco de acero, el espaciador de goma y el resorte de goma Aeon como se muestra en el diagrama adyacente. Móntelo en el bastidor del vehículo con los sujetadores suministrados por Timbren.
- Apriete el perno a 30-35 pies-libras.
- Bajar el vehículo, si es necesario.

Altura total: 5 5/8"

No exceda la carga nominal en el eje recomendada por el fabricante del vehículo. Compruebe que no haya interferencia entre el resorte AEON® y los otros componentes del vehículo. Bajo carga, el resorte AEON® se ampliará en diámetro.

Ref. = Reference = No. de référence = Núm. de referencia
Part = Part #. = No. de pièce = Núm. de pieza
Qty. = Quantity = Quantité = Cantidad



GMRS15 **TIMBREN**

ASSEMBLY NOTES:

PART NUMBER	DESCRIPTION	QTY	LOCATION
F11542-750	HCS M10-1.50 X M60 F/T PC 8.8 Z DIN 933	2	I2D
F11546-350	HCS M10 - 1.50 x M80 PC 8.8 Z DIN 931	2	I2C

A00545-65Q30	HOLLOW RUBBER SPRING	2	C9B
A25723-90AH00	RUBBER SPACER 4"OD x 1" THK W/AH Bushing	2	

A16140-003	DISC 4 OD x 13/32 ID x 3/16 THK	2	D20B
-------------------	---------------------------------	----------	-------------

B90200-CR	SMALL REAR BOX - 9.5 x 7 x 5.5	1	A--E
B10000	8" x 12" BUBBLE FOR KITS	1	
B00029-010	BARCODE LABEL FOR KIT	1	

Issued: 11/30/2021

Clearance Instructions:

Rear SES Kits for Pick-Ups and Vans should have a 1/2" to 1-1/2" gap between the rubber spring and contact point when empty.

A partial load, or vehicle accessories will reduce or eliminate the gap.

Front SES kits are usually in full contact.

Medium and Heavy-Duty Trucks, Trailers and Motorhomes will be in constant contact, and have no gap.

Lifetime Warranty:

Timbren SES Kits are warranted against defects in material and workmanship, under normal use and service, for the life of the vehicle on which the kit was originally installed. The warranty is not transferable and proof of purchase is required. The warranty is limited to the replacement of the failed part.

TIMBREN will not be responsible for any labour or freight charges involved in the replacement of any product. TIMBREN shall be entitled to make its own inspection to determine the validity of the claim. TIMBREN shall not be liable nor warranty the product in the event of alteration, misuse, overload, negligence or damage caused by others.

If ride or performance of our product is unsatisfactory in any way, please call: 1-800-263-3113 or email sales@timbren.com