

UR300

Rear suspension package Ensemble pour suspension arrière Ensemble para suspensión de trasero

INSTALLATION INSTRUCTIONS

- Insert bolt #2 into countersunk hole of Timbren top plate #3 and tack weld into place.
- Assemble frame bracket by welding items #1 & #3 together keeping in mind the following:
 - Plate #3 should be positioned under bracket #1 to allow the Aeon spring to rest centered over the leaf spring (Diagr.B) or the walking beam (Diagr.C)
 - Bracket #1 will be bolted to the frame using existing holes where possible making sure that the distance from the bottom of plate #3 to the top of leaf spring or walking beam is 7 inches. Adjust accordingly with the use of spacers. (Diagr.B)
- With vehicle unloaded, mount bracket to frame using at least three ½" Gr.8 bolts.
- Raise vehicle to install remainder of Timbren assembly.

SAFETY CAUTIONS

Always refer to and follow the vehicle manufacturer's guidelines when welding or drilling during installation of this kit.

Do not exceed vehicle manufacturer's recommended axle weight rating. Check for AEON® interference with vehicle components - Under load AEON® will "expand" in diameter.

INSTRUCTIONS DE MONTAGE

- Mettre le boulon no 1 dans la fraisure de la plaque supérieure Timbren no 3 et la soudure de pointage en place.
- 1) la plaque no 3 doit être placée sous le support no1 pour permettre au ressort Aeon de demeurer au centre du ressort à lames (Schema B) ou sur the bras d'équilibre (Schema C).
2) le support no1 sera boulonné au cadre en utilisant les trous existants si possible s'assurant que la distance entre la partie inférieure de la plaque no3 et la partie supérieure de la lame de ressort est de 7 po. Ajuster en conséquence avec l'utilisation des entretoises (Schéma B).
- Monter le support sur le cadre à l'aide d'au moins trois boulons de ½ po Gr.8 pour les véhicules à vide.
- Soulever le véhicule pour y installer le reste de l'assemblage Timbren.

MESURES DE SÉCURITÉ

Se référer aux directives du fabricant et les suivre en tout temps lors du soudage ou du perçage en ce qui concerne l'installation du présent ensemble.

Ne pas dépasser le poids nominal sur l'essieu recommandé par le fabricant du véhicule. Vérifier que le ressort AEON® n'a pas d'incidence sur d'autres pièces du véhicule - Le ressort AEON® augmentera son diamètre avec la charge.

INSTRUCCIONES DE INSTALACIÓN

- Inserte el perno #1 en el orificio avellanado de la placa superior Timbren #3 y suelde por puntos en el sitio.
- Ensamble la abrazadera del chasis soldando los ítems #1 & #3 entre sí, teniendo en cuenta lo siguiente:
 - la placa n.3 debe colocarse bajo el apoyo no1 para permitir al resorte Aeon de permanecer en el centro de la hoja de muelle (Esquema B) o sobre el brazo de igualador (Esquema C).
 - el apoyo no1 se empernará al marco utilizando los agujeros existentes si es posible que garantizarán que la distancia entre la parte inferior de la placa n.3 y la parte superior de la hoja de resorte es de 7 Po. Ajustar en consecuencia con la utilización de espaciadores (Esquema B).
- Con el vehículo descargado, monte la abrazadera al chasis utilizando al menos tres pernos de ½" Gr.8.
- Levante el vehículo para instalar el resto de la unidad Timbren.

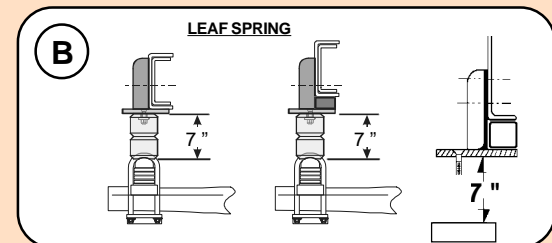
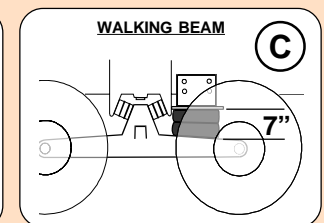
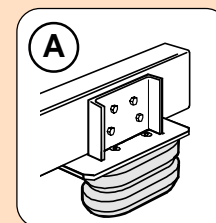
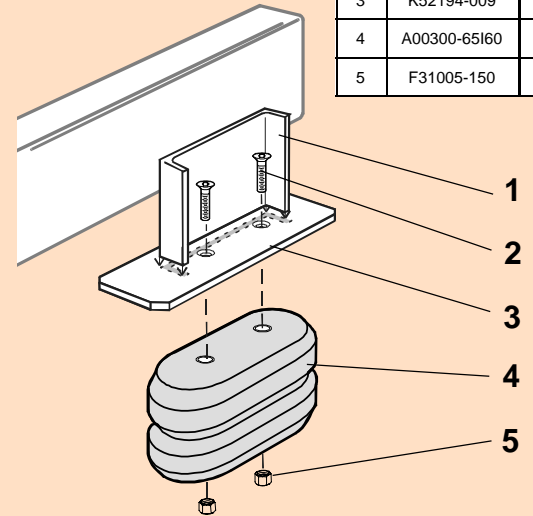
PRECAUCIONES DE SEGURIDAD

Siempre consulte y siga las instrucciones del fabricante del vehículo al soldar o perforar durante la instalación de este kit.

No exceda la carga nominal en el eje recomendada por el fabricante del vehículo. Compruebe que no haya interferencia entre el resorte AEON® y los otros componentes del vehículo. Bajo carga, el resorte AEON® se ampliará en diámetro.

Ref. = Reference = No. de référence = Núm. de referencia
Part = Part #. = No. de pièce = Núm. de pieza
Qty. = Quantity = Quantité = Cantidad

Ref	Part	Qty
1	K51208-009	2
2	F12106-153	4
3	K52194-009	2
4	A00300-65160	2
5	F31005-150	4



UR300

UR300

TIMBREN INDUSTRIES INC.

www.timbren.com

PART NUMBER	DESCRIPTION	QTY	LOCATION
F31005-150	NYLOCK LOCKNUT 1/2 UNF GR 5 Z	4	G1D
F12106-153	FHSHC 1/2 x 2-1/2 UNF GR 5 B	4	J2D
A00300-65I60	Hollow Rubber Spring	2	C5F
K51208-009	FORMED PLATE 3/8 x 7 x 11-3/4"	2	E1D
K52194-009	FLAT PLATE 3/8 x 6 x 12"	2	E2D
B90224	12 x 11 x 8-1/2" DW Carton	2	A1A
B10100	NEWSPRINT 18" ROLL	1	
B00029-010	BARCODE LABEL FOR KIT	2	
	1 of 2 & 2 of 2 LABELS	1 ea.	

ASSEMBLY NOTES:

ALL COMPONENTS ARE DIVIDED IN HALF AND PACKAGED INTO TWO IDENTICAL PACKAGES.

APPLY "1 of 2" and "2 of 2" LABELS TO CARTONS

Issued: 8/23/2019

Clearance Instructions:

Rear SES Kits for Pick-Ups and Vans should have a 1/2" to 1-1/2" gap between the rubber spring and contact point when empty.

A partial load, or vehicle accessories will reduce or eliminate the gap.

Front SES kits are usually in full contact.

Medium and Heavy-Duty Trucks, Trailers and Motorhomes will be in constant contact, and have no gap.

Lifetime Warranty:

Timbren SES Kits are warranted against defects in material and workmanship, under normal use and service, for the life of the vehicle on which the kit was originally installed. The warranty is not transferable and proof of purchase is required. The warranty is limited to the replacement of the failed part.

TIMBREN will not be responsible for any labour or freight charges involved in the replacement of any product. TIMBREN shall be entitled to make its own inspection to determine the validity of the claim. TIMBREN shall not be liable nor warranty the product in the event of alteration, misuse, overload, negligence or damage caused by others.

If ride or performance of our product is unsatisfactory in any way, please call: 1-800-263-3113 or email sales@timbren.com