

Input Voltage	Controller Max Load	Max Projector Wattage
12V DC	3 amps	4 watt

Warranty and Disclaimer

Within THREE years after the purchase date, the original buyer may return any XKchrome controller that has failed due to a defect in materials or workmanship. CurbFX Projectors that have one or more LEDs fail to illuminate due to a defect in materials or workmanship are covered with a THREE year warranty for **the original buyer**.

Installation of this product must be performed by a licensed professional. Should the failure of the product be the result of damage occurring as a result of improper installation, alteration of the product or an act or omission on the part of the consumer, this warranty is void. XKGLOW Lighting shall not be responsible for any consequential damages which arise from the use and/or installation of the product. If the kit is installed in any manner other than specified, XKGLOW Lighting reserves the right to deny any warranty claims at the discretion of the technical support department. Any product return must include the original packaging, invoice number and a statement of the alleged defect. Upon receipt of the returned product, the company will test the product for defect. If the results of the testing do not support the warranty claim, do not reveal any defect or indicate consumer negligence in the installation and handling of the product, then the product will be returned to you and you will be charged a reshipping fee. If the product is returned from an address within the continental United States, within the first 30 days after purchase, and is found to be defective, XKGLOW Lighting will exchange or refund the original purchase expense. This offer does not extend to the cost for shipping charges on any international packages.

Additional Disclaimer Terms

Please check your local and state laws for the proper use of this product.

- Improper installation of electrical products such as lighting may cause damage to any vehicle or device to which the improperly handled or installed lighting is attached.
- Improperly installed product may cause electrical injury to persons.
- It is recommended that the kit should be installed by a licensed professional.
- XKGLOW assumes no liability for the installation of the product.
- Warranty or liability will not exceed the product purchase price, which shall be buyer's sole and exclusive remedy.

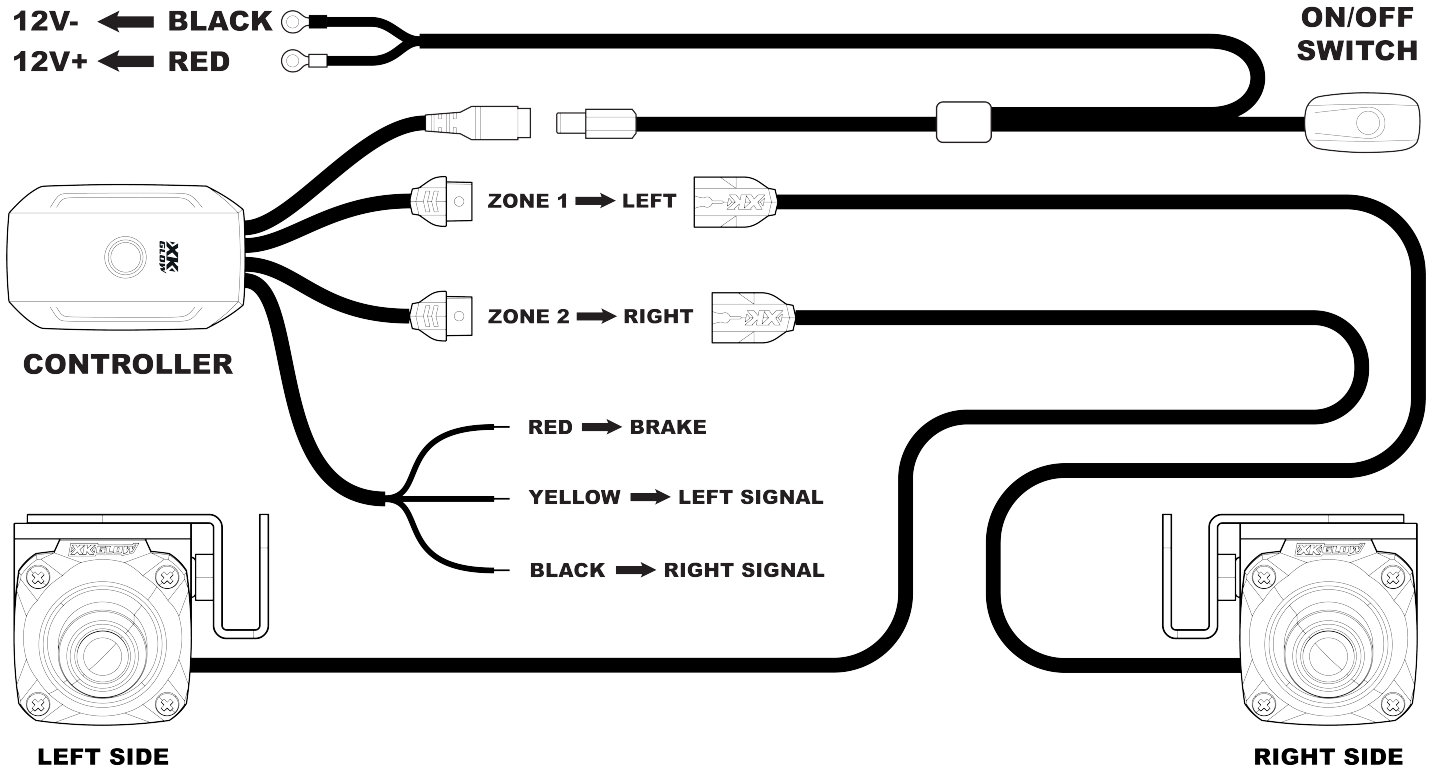
Return/Exchange Procedure

1. Email [xk@xkglow.com] to notify us of the product issue as well as the item number and name of customer on invoice.
2. We will send you the trouble-shooting guide to fix the issue, or to narrow down which of the component(s) need to be replaced. If the issue still exists, we will ask you to send back the defective items to be replaced.
3. Please send the returned item as instructed, along with claims and a telephone number where you can be reached.
4. After the returned item(s) have been accepted and inspected, we will issue a refund or replace the items ASAP. For refunds, item(s) must be sent to XKGLOW within 14 days from date of purchase. Original shipping charges are not refundable.

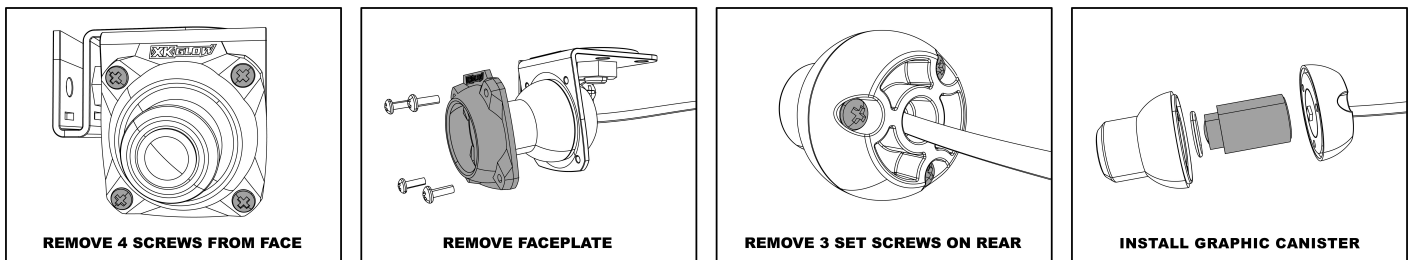
We always stand behind our products and are committed to our customers! For questions you may have, please contact xk@xkglow.com. We normally respond within 24 hours. (Monday-Friday).

Mounting Instructions

Test all components before mounting: As shown below, plug ALL light units together and connect them to the controllers and the switch wiring harness. Connect the RED battery terminal to the POSITIVE pole of 12V DC battery. Connect the BLACK battery terminal to the NEGATIVE pole. Turn on the switch and push the controller buttons to test the projectors. If the lights show any defects, please contact us and we will be happy to replace them for you.



Install Graphic Canisters



1. Remove the 4 screws holding the faceplate in place.
2. Once these screws are removed, you can take off the faceplate.
3. Remove the graphic canister housing from the bracket assembly. There are 3 set screws holding the graphic canister housing together. Remove these screws.
4. Separate the halves of the graphic canister housing. **Note location of the rubber O-ring.**
5. Install graphic canister with the rubber O-ring.
6. Reassemble CurbFX Projector.

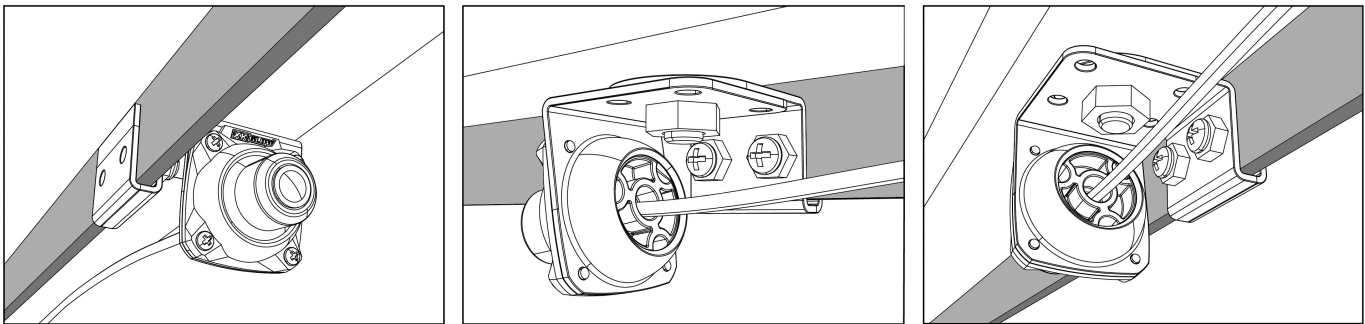
Wiring Options

Option A. Wire Direct to Battery: To independently control the CurbFX Projectors without your vehicle being powered on, you must wire the power wire harness directly to the battery. With this setup, the CurbFX Projectors must be turned on via the ON/OFF switch or the XKchrome App. Firmly connect the wire terminals on the harness to the positive and negative terminals on the battery.

Option B. Wire to Ignition Source: Wiring the power wire harness to an ignition source will make the CurbFX Projectors turn on automatically when the vehicle is powered on. Note- you will not be able to control the CurbFX Projectors independently of the vehicles power. To do this, simply wire the **red** wire on the power wire harness to an ignition wire source utilizing an add-a-fuse (not included). Ensure that the fuse is capable of handling the extra current load from the added accessories. Connect the **black** wire on the power wire harness to a nearby ground.

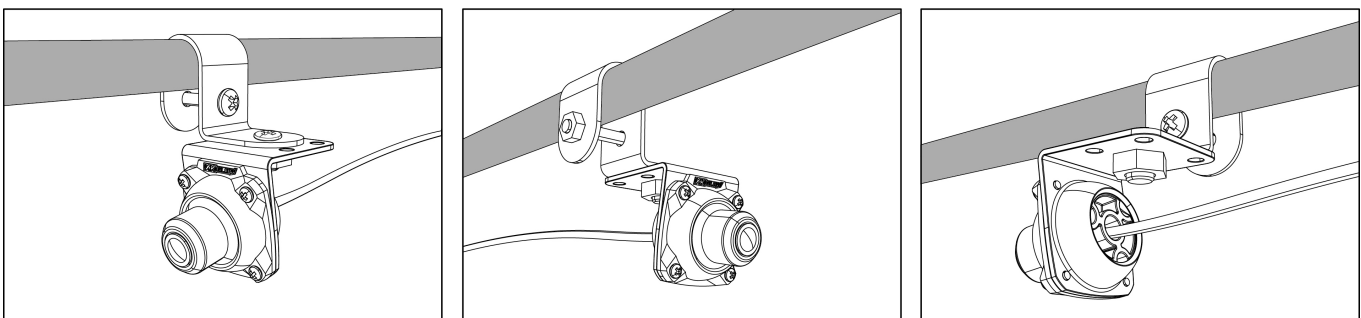
Car Mounting

- Find mounting location:** The CurbFX Projectors come with a rotatable bracket that allows them to be mounted to the pinch weld on each side of your vehicle. Keep in mind that to achieve the best light effect, the projectors will need to be pointed slightly outward and towards the back of the vehicle. To light up the sides of the vehicle, the projectors will need to be mounted behind the front wheels. To light up the area behind the vehicle, the projectors will need to be mounted behind the rear wheels.
- Mount the projectors:** Loosen the two set screws on the bracket. Place the CurbFX Projector over the pinch weld and tighten the two set screws to secure in place. See diagram below for reference. Shaded part represents the pinch weld. Repeat for the other side.

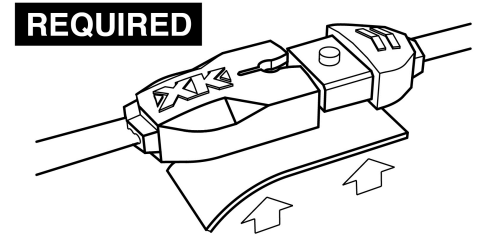


Motorcycle Mounting

- Install motorcycle bracket:** Remove the default pinch weld bracket from the CurbFX Projector and replace it with the rounded motorcycle bracket.
- Find mounting location:** Keep in mind that to achieve the best light effect, the projectors will need to be pointed slightly outward and towards the back of the motorcycle. To light up the sides of the motorcycle, the projectors will need to be mounted towards the front of the frame rails near the foot pegs. To light up the area behind the motorcycle, the projectors will need to be mounted under the saddle bags.
- Mount the projectors:** Place the CurbFX Projector over the bar for mounting. Using the supplied hardware, secure the bracket into place. See diagram below for reference. Shaded part represents the frame rail. Repeat for the other side.



4. **Route power wiring harness:** Mount the ON/OFF switch in a convenient location. Using zip ties, secure any loose wiring.
5. **Install XKchrome Controller:** Plug the XKchrome Controller into the DC plug from the power wiring harness. Plug Zone 1 into the LEFT side projector and Zone 2 into the RIGHT side projector. If installing the Advanced kit, utilize the included splitter blocks to reach the 2 projectors per side.
6. **Aim CurbFX Projectors:** Power on the CurbFX Projectors. Carefully loosen the four phillips head screws on the face of the projector. Point projector for desired light effect and tighten the 4 set screws. Repeat for the other side.
7. **OPTIONAL: Connect sensor wires:** This step will allow the graphic to flash amber when your turn signal is activated and turn red when the brake is applied. Please check service manual specific to your make and model to verify wires. Tap the RED sensor wire into the positive brake wire. This will turn the lights red automatically when the brake is on. Tap the YELLOW wire into the LEFT side turn signal positive wire. Finally, tap the BLACK wire into the RIGHT turn signal positive wire. The yellow and black wire will control the turn signal functions.
8. Power on, download the **XKchrome** App, and enjoy!



Attach 3M tape to the back of both plugs



Please note: There are multiple XKGLOW apps on the App Store. Only the XKchrome App will work with the XKchrome Bluetooth Controller. The App icon is pictured here.