

Squad Box Slide Bracket

Tools Needed:

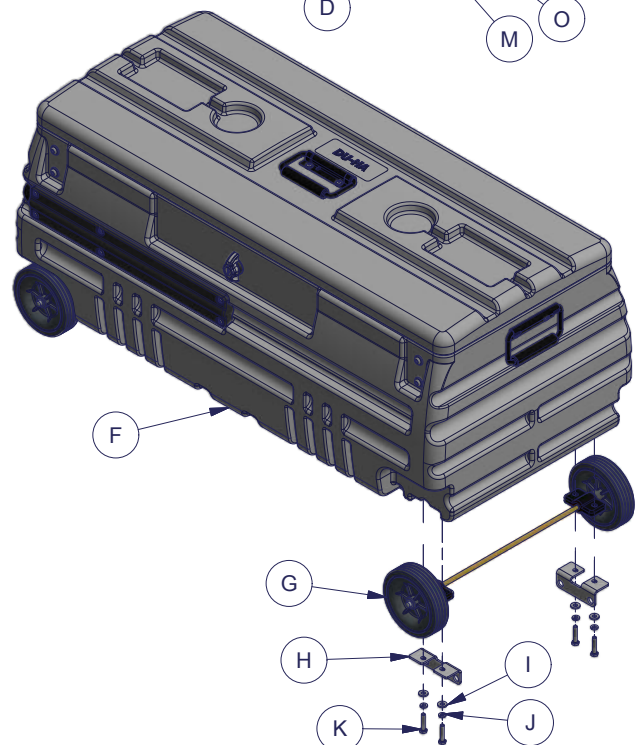
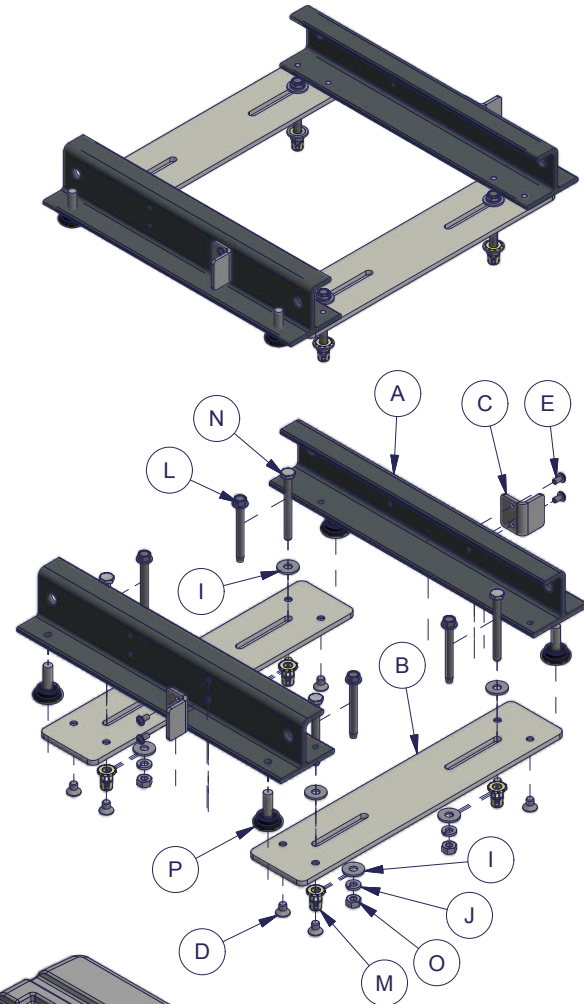
- // Allen Wrench - 5/32" // Drill // Jack Nut Friction Wrench (Supplied)
- // Socket 7/16" // 7/16" Drill Bit
- // Phillips Screw Driver // Marker or Pencil
- // Pliers // Tape Measure

Fits *DU-HA* Part Numbers
70600 & 70601

Installation Instructions:

The Squad Box may be placed on either side of the vehicle. It is recommended that the lid open towards the middle of the vehicle for ease of access in the Squad Box.

- 1** Attach the slide bracket channels (A) to the base plates (B) as shown using four 1/4" x 1/2" flat head screws (D) per plate.
- 2** Attach the slide bracket stop angles (C) to the slide bracket channels (A) as shown using two #8 x 5/16" screws (E) per angle.
- 3** Attach the slide bracket lock angles (H) to the bottom of the Squad Box (F) on the end of the Squad Box you want facing the back of the vehicle. To attach, remove the four 1/4" bolts holding the wheel assemblies (G) onto the bottom of the Squad Box (F). Next attach the slide bracket lock angles (H) to the bottom of the Squad Box (F) below the wheel assembly (G) do not use the bolts that were on the Squad Box use the longer hex bolt 1/4 x 1-1/4 (K) provided in the kit and the existing 1/4 washers (J) and 1/4 lock washers (I). Note: Make sure to position the slide bracket lock angles to the inside of the Squad Box (as shown).
- 4** Place the assembled slide bracket into your vehicle in the desired location and slide the Squad Box (F) into the bracket until it stops, the slide bracket lock angles (H) should rest against the stop angles (C). Make sure your door will close without interfering with the Squad Box (F) or the slide bracket. Once you have determined the Squad Box (F) and the slide bracket are located in the proper position remove the Squad Box (F) from the slide bracket (make sure slide bracket does not move) make marks on your floor locating the slots of the base plates (B). You can also use a nail or center punch to mark the locations through the carpet into the metal floor.
- 5** Remove the slide bracket from the vehicle. **Drill Warning:** Before drilling into the floor make sure the area where you are going to drill through is clear of any electrical wiring, fuel lines, tanks, and reservoirs. You will have to look under the vehicle to make sure there are no obstructions at the hole locations.



Parts List		
ITEM	QTY	DESCRIPTION
A	2	Squad Box Slide Bracket Channel
B	2	Squad Box Slide Bracket Base Plate
C	2	Squad Box Slide Bracket Stop Angle
D	8	Screw 1/4" X 1/2" Flat Head
E	4	Screw #8 x 5/16"
F	1	Squad Box
G	1	Wheel Assembly
H	2	Slide Bracket Lock Angle
I	8	Washer Flat 1/4 SS
J	8	Washer Lock 1/4" - SS
K	4	Hex Bolt 1/4 x 1-1/4 SS
L	4	Self-Tapping Screw - 1/4 x 2-1/2
M	5	Jack-Nut 1/4-20
N	4	Hex Bolt 1/4 x 2-1/2
O	4	Nut Hex 1/4-20
P	4	Adjustable Feet

DU-HA[®] SQUAD BOX SLIDE BRACKET

70700

Installation Instructions

Page 2 - Continued...

There are 3 options you can use to attach the slide bracket to the floor of your vehicle. See below.

6 Option 1 - Self Tapping Screws: (Easiest Installation) Make sure to read Drill Warning on previous page. After you have determined there are no obstructions behind the mounting locations for the slide bracket find a location in the slots so the screw will go through a flat surface on the floor. You may need to pull up the carpet to see what's underneath. Use four 1/4 x 2-1/2 self-tapping screws (L) with 1/4 washers (I) to secure the bracket to the floor of the vehicle using a 7/16 socket and drill. DO NOT over-tighten. This is a permanent mounting option. Refer to option 2 if you want the ability to remove the slide bracket from your vehicle.

7 Option 2 - Jack-Nuts: (Use this option if you intend to remove the slide bracket often) Make sure your marks for locating the slots are through the carpet and into the metal floor. Remove rear trim and roll back carpet and insulation in your vehicle to expose the marks made in Step 5.

(A) Using a straight edge, draw a line from the left to right marks between each slot. Locate a flat point in between each set of marks, one on the right and one on the left, for each base plate (B). Drill one 7/16" hole on each flat surface on the line. Mark the hole placements onto the insulation and carpet layers and create a hole for the bolt to pass through. If using a drill and standard drill bit: Drill the carpet from the underside. Drill through the insulation with the drill in reverse to reduce binding.

(B) Next insert the Bolt-Hex 1/4" x 2-1/2" (N) through the hole in the Jack-Nut Friction Wrench and thread all the way into the Jack-Nut-1/4" (M). Place the Jack-Nut-1/4" (M) in the drilled hole (*may need a hammer to tap into hole*). Secure the Jack-Nut to the vehicle by tightening the Bolt-Hex Head 1/4" x 2-1/2" (N) using a 7/16" Socket, press firmly on the Jack-Nut Friction Wrench and tighten Jack-Nut until you see the rubber on the Jack-Nut starting to get squished. Do not over tighten (max torque = 41 in/lbs). Remove the bolt from the Jack-Nut-1/4" (M). Repeat this procedure for the other Jack-Nuts. *Note: Jack-Nut Friction Wrench is only used to install Jack-Nuts.* It does not take a lot of torque to break a Jack-Nut so it is best to use a 7/16" Socket and Wrench. If using a drill, be very careful not to over tighten and strip out the Jack-Nut.

Replace the carpet and insulation and snap the plastic trim pieces back into place.

Place the Squad Box Slide Bracket into position in the vehicle. Adjust the Adjustable Feet (N) on the bottom of the Channels (B) so the bracket is flush with the plastic trim piece Squad Box will be rolling on. (The Squad Box needs to clear the trim piece to slide properly.) (*Note: You may not need to use the Adjustable Feet (N). You will only need to use the Adjustable Feet if it's necessary to raise or adjust the height of the Squad Box Slide Bracket.*)

(C) Insert four Bolts - Hex 1/4" x 2-1/2" (N) with Washers - Flat 1/4" (I) through the slots in the Base Plate (B), carpet, and insulation, and thread them into the Jack-Nuts (M). DO NOT cross-thread (*make sure Bolt-Hex 1/4" x 2-1/2" (N) threads into Jack-Nut-1/4" (M) properly and the threads are not misaligned*). Adjust the Squad Box Slide Bracket to the desired position. Tighten bolts using Socket - 7/16", but do not over tighten max torque= 41 in/lbs).

Place the Squad Box into the Squad Box Slide Bracket to make sure the Squad Box slides in and out of the vehicle properly. If necessary, thread the Adjustable Feet (P) into the bottom of the slide bracket channels (A) and adjust to raise or lower the Squad Box Slide Bracket.

Important: If you remove the Squad Box Slide Bracket, you must put the Bolts - Hex 1/4" x 2-1/2" (N) and Washers - Flat 1/4" (I) back into the Jack-Nuts - 1/4"(M) and tighten. Do not over tighten.

8 Option 3 - Through - Bolt
If your vehicle has a false floor you can drill 5/16" holes through it at the marks you made from the slide bracket slots. Use four 1/4 x 2-1/2" hex bolts (I) eight 1/4" flat washers (J), four 1/4" lock washers (J) and four 1/4" hex nuts (O). DO NOT over-tighten. Make sure the bolts or nuts will not interfere with anything below the false floor.

Note: To lock the Squad Box to the Slide Bracket use a keeper pin or a paddle lock. Slide the pin or paddle lock through the hole in the slide bracket lock angle and through the hole in the slide bracket channel. You can lock each side of the bracket. You can also use a BOLT lock that uses your ignition key for operation.

Safety Instructions:
Warning: Make sure the Squad Box lid is closed and latched and the Squad Box and Squad Box Slide Bracket are secured in the vehicle according to the installation instructions while the vehicle is moving. Do not store explosives or hazardous materials in the Squad Box. Do not place loaded guns in the Squad Box. For further instructions refer to the vehicle owner's manual or contact DU-HA, Inc.

