

# LoadLifter 5000™ SERIES



## Installation Guide



**Watch the video**  
Info on Table of Contents page

*Ford SD F-250/F-350 4WD SRW (Single Rear Wheel)*

**Kits 57352 | 88352 | 89352**

For maximum effectiveness and safety, please read these instructions completely before proceeding with installation.

Failure to read these instructions can result in an incorrect installation.



## TABLE OF CONTENTS

<b>Installation Diagram</b> . . . . .	<b>2</b>
<b>Hardware and Tools Lists</b> . . . . .	<b>3</b>
<b>Introduction</b> . . . . .	<b>4</b>
Notation Explanation . . . . .	4
Identifying the Differences Between Kits . . . . .	4
<b>Installing the System</b> . . . . .	<b>5</b>
Preparing the Vehicle . . . . .	5
Assembling the Air Springs . . . . .	6
Installing the Air Spring Assemblies . . . . .	9
<b>Installing the Air Lines</b> . . . . .	<b>12</b>
Installing Nylon Air Lines . . . . .	12
Installing Braided Stainless Steel Air Lines . . . . .	13
Installing the Heat Shield . . . . .	14
<b>Finished Installation</b> . . . . .	<b>15</b>
Installation Checklist . . . . .	16
Maintenance and Use Guidelines . . . . .	16
Limited Warranty and Return Policy . . . . .	16

## Video-enhanced installation guides

Visit [airliftcompany.com/workshop/category/install-videos](http://airliftcompany.com/workshop/category/install-videos) to access our installation video archive\*.

# Installation Diagram

Driver's  
(left) Side

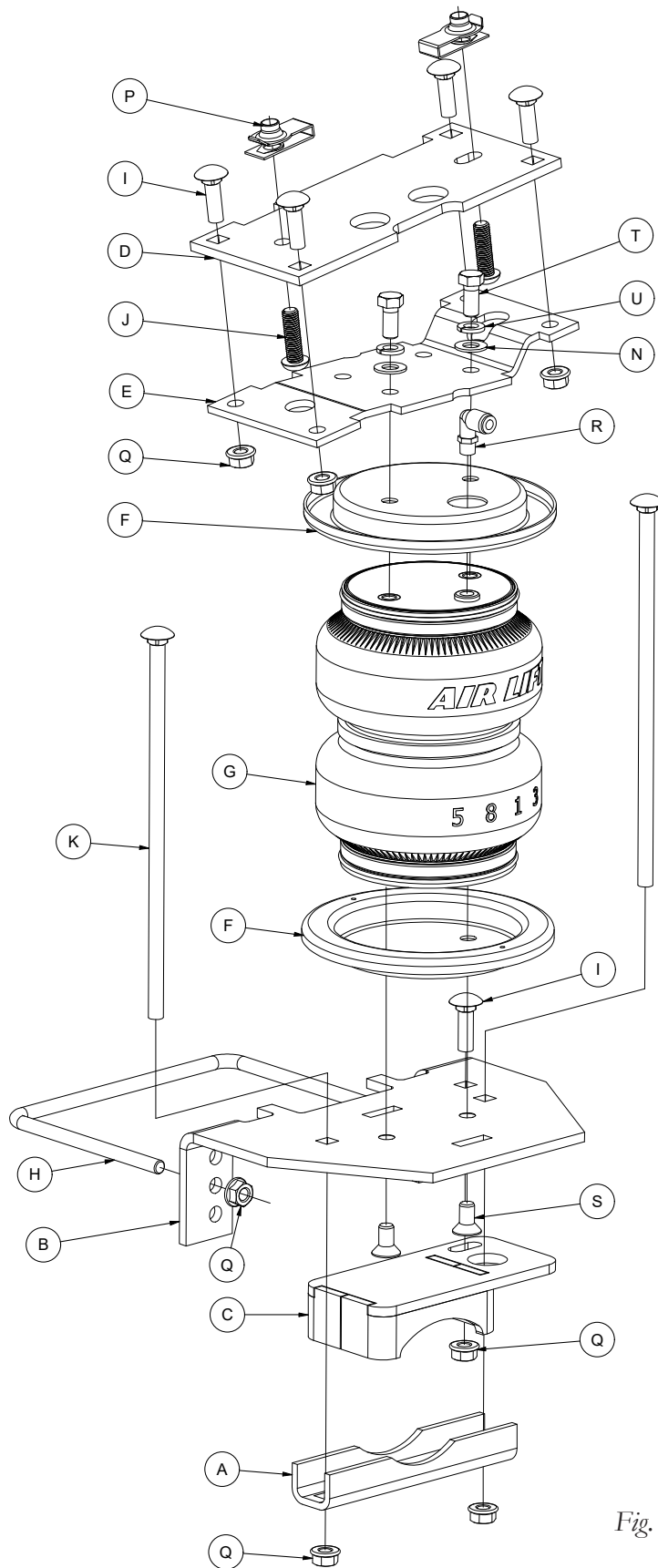


Fig. 1



# Hardware and Tools Lists

## Common Parts Included in All 3 Kits

Item	Part#	Description	Qty
A	01531	Clamp bar	2
B	03066	Lower bracket, main plate	2
C	03224	Lower bracket, cup	2
D	07045	Upper bracket, frame	2
E	07220	Upper bracket, air spring	2
H	11770	U-bolt	2
I	17134	3/8"-16 x 1" Carriage bolt	10
J	17366	M10-1.5 x 35 Button-head cap screw	4
K	17387	3/8"-16 x 10" Carriage bolt	4
O*	18501	M8 Stainless steel flat washer	2
P	18622	M10-1.5 Universal nut	4
Q	18422	3/8"-16 Serrated flange lock nut	18
DD*	21234	Rubber washer	2
EE*	18411	Stainless steel star washer	2

\* These parts are not shown in the Installation Diagram (Fig. 1).

## TOOLS LIST

Description	Qty
Standard and metric open-end or box wrenches	SET
Ratchet	1
Standard and metric sockets	SET
5/16" drill bit (very sharp)	1
9/16" Crow's foot adapter	1
9/16" ratchet combo wrench	1
Heavy-duty drill	1
Torque wrench	1
Standard and metric hex-key wrenches	1
Flat-tip screwdriver	1
Hose cutter, razor blade, or sharp knife	1
Hoist or floor jacks	1
Safety stands	2
Safety glasses	1
Air compressor or compressed air source	1
Spray bottle with dish soap/water solution	1

The photos in this manual show the LoadLifter 5000 kit.

## Unique Parts in Each Kit

### LoadLifter 5000™ KIT 57352

Item	Part#	Description	Qty
F	11951	Roll plate (silver zinc plated)	4
G	58437	Air spring	2
N	18444	3/8" Flat washer	4
R	21837	Push-to-connect (PTC) fitting	2
S	17215	3/8"-24 x 3/4" Flat-head socket-cap screw	4
T	17203	3/8"-24 x 7/8" Hex-cap screw	4
U	18427	3/8" Lock washer	4
AA*	20086	Air line assembly	1
BB*	10466	Zip tie	6
CC*	21230	Valve cap	2
FF*	21233	5/16" Hex nut	4

### LoadLifter 5000™ ULTIMATE KIT 88352

Item	Part#	Description	Qty
F	11967	Roll plate (black powder coat)	4
G	58496	Air spring with jounce bumper	2
N	18444	3/8" Flat washer	4
R	21837	Push-to-connect (PTC) fitting	2
S	17215	3/8"-24 x 3/4" Flat-head socket-cap screw	4
T	17203	3/8"-24 x 7/8" Hex-cap screw	4
U	18427	3/8" Lock washer	4
AA*	20086	Air line assembly	1
BB*	10466	Zip tie	6
CC*	21230	Valve cap	2
FF*	21233	5/16" Hex nut	4

### LoadLifter 5000™ ULTIMATE PLUS+ KIT 89352

Item	Part#	Description	Qty
F	11880	Roll plate (stainless steel)	4
G	58496	Air spring with jounce bumper	2
R	21815	AN-type fitting	2
N	18507	3/8" Stainless steel flat washer	4
S	17363	3/8"-24 x 3/4" Stainless flat-head socket-cap screw	4
T	17284	3/8"-24 x 7/8" Stainless steel hex-cap screw	4
U	18504	3/8" Stainless steel lock washer	4
AA*	20987	Stainless steel braided air line	2
BB*	10466	Zip tie	12
GG*	21907	Schrader valve w/ cap & nut	2
HH*	21813	AN to PTC fitting	2
II*	20084	Air line assembly	1



Missing or damaged parts? Call Air Lift customer service at (800) 248-0892 for a replacement part.

# Introduction

The purpose of this publication is to assist with the installation and maintenance of the LoadLifter 5000 series air spring kits. All LoadLifter 5000 series kits utilize sturdy, reinforced, commercial-grade single or double, depending on the kit, convolute bellows.

The air springs are manufactured like a tire with layers of rubber and cords that control growth. LoadLifter 5000 kits provide up to 5,000 pounds (2,268kg) of load-leveling support with air adjustability from 5-100 PSI (.34-7BAR).

It is important to read and understand the entire installation guide before beginning installation or performing any maintenance, service or repair.

## NOTATION EXPLANATION

Hazard notations appear in various locations in this publication. Information which is highlighted by one of these notations must be observed to help minimize risk of personal injury or possible improper installation which may render the vehicle unsafe. Notes are used to help emphasize areas of procedural importance and provide helpful suggestions. The following definitions explain the use of these notations as they appear throughout this guide.

### DANGER

INDICATES IMMEDIATE HAZARDS WHICH WILL RESULT IN SEVERE PERSONAL INJURY OR DEATH.

### WARNING

INDICATES HAZARDS OR UNSAFE PRACTICES WHICH COULD RESULT IN SEVERE PERSONAL INJURY OR DEATH.

### CAUTION

INDICATES HAZARDS OR UNSAFE PRACTICES WHICH COULD RESULT IN DAMAGE TO THE MACHINE OR MINOR PERSONAL INJURY.

## IDENTIFYING THE DIFFERENCES BETWEEN KITS

Should you need to contact Air Lift customer service, you will need to know which kit you are inquiring about: standard LoadLifter 5000, LoadLifter 5000 Ultimate or LoadLifter 5000 Ultimate Plus. The kits are easily identifiable by looking at the roll plates and air lines.

- Standard **LoadLifter 5000** — Zinc-plated steel roll plates and black nylon air lines.
- LoadLifter 5000 Ultimate** — Black powder-coated roll plates and black nylon air lines.
- LoadLifter 5000 Ultimate Plus** — Stainless steel roll plates, braided stainless steel air lines, stainless steel air spring mounting hardware.



LoadLifter 5000  
silver zinc-plated steel  
roll plate



LoadLifter 5000  
nylon air line



LoadLifter 5000 Ultimate  
black powder-coated roll plate



LoadLifter 5000 Ultimate  
nylon air line



LoadLifter 5000 Ultimate Plus  
stainless steel roll plate



LoadLifter 5000 Ultimate PLUS  
braided stainless steel air line

Air Lift offers two Ultimate Plus upgrade kits:

**52300** - Braided stainless steel air line and fittings.

**52301** - Stainless steel roll plates, air spring mounting hardware, braided stainless steel air lines and fittings.

# Installing the System

## PREPARING THE VEHICLE

1. Raise the vehicle and support it, using safety stands or equivalent, so that the axle can be safely dropped away from the frame. This needs to be done in order for the air spring assembly to be put into position between the axle and frame (Fig. 2).

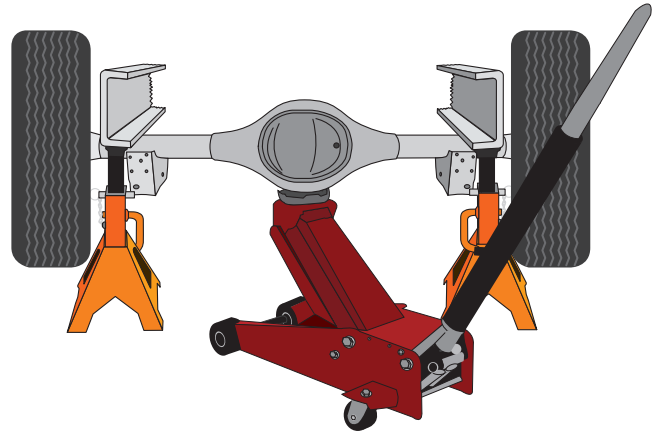


Fig. 2

2. Unbolt and remove the jounce bumper assembly from under the frame on both sides (Fig. 3).



Fig. 3

3. Remove the clip-in studs by prying on the hinged end with a screwdriver. Pull all four (two from each side) out from the frame (Fig. 4).

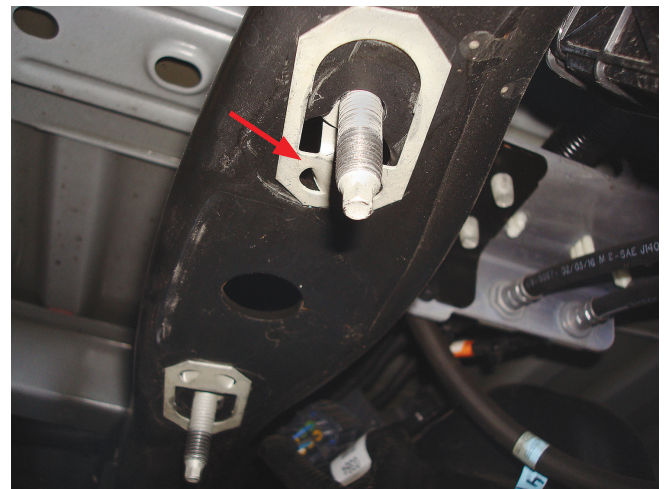


Fig. 4



4. Install the universal nuts (P) into the frame rail, lining up the holes in the frame and the threads in the nuts so that a bolt can be installed (Fig. 5).

### TECH TIP

A flat-tip screwdriver works well in installing the universal nut into position.

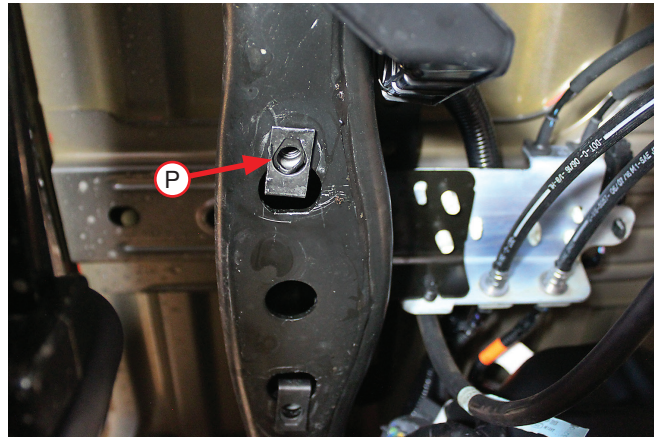


Fig. 5

5. Insert the 3/8"-16 x 1" carriage bolts (I) into the upper frame brackets (D). Install the upper bracket onto the frame using the M10-1.5 x 35mm button-head cap screws (J). The slot on the side of the bracket should be inboard of the frame rail (Fig. 6). The elongated hole should be toward the front of the truck (Fig. 7). Torque hardware to 38 lb.-ft. (52Nm).

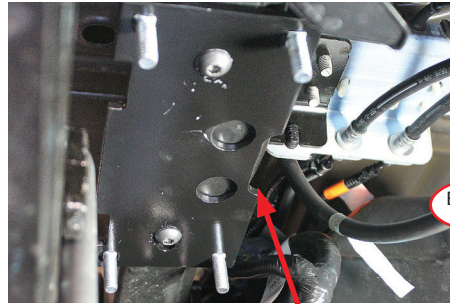


Fig. 6

This slot in the bracket goes inboard, away from leaf spring and tire

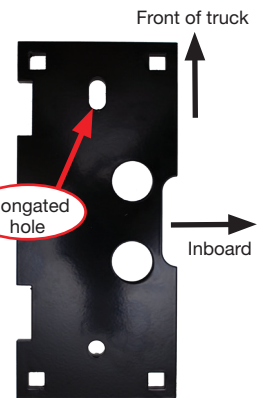


Fig. 7

## ASSEMBLING THE AIR SPRINGS

1. Set a roll plate (F) on top of the air spring (G). The radiused, or rounded, edge of the roll plate should be toward the air spring so that it is seated inside the roll plate (Fig. 8). Install the 90 degree swivel fitting (R) into the port on top of the air spring, finger-tight plus 1 1/2 turns.

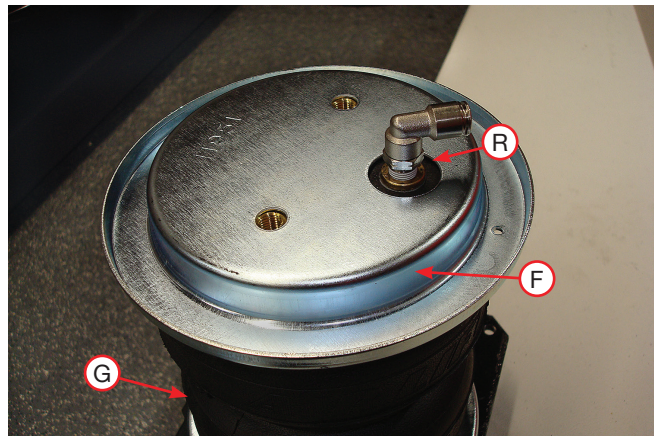
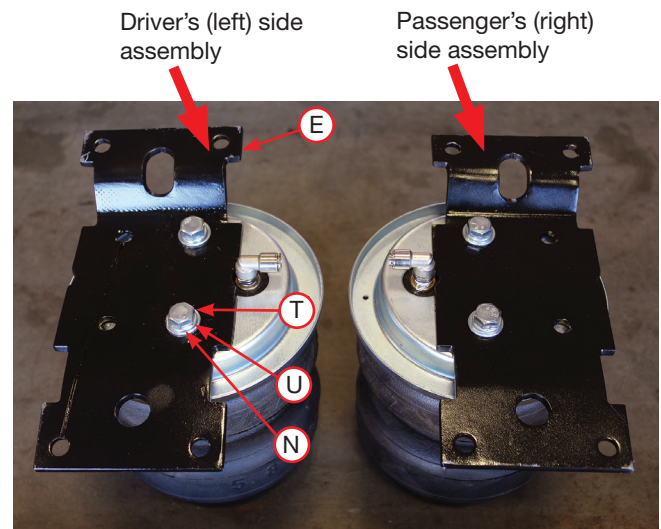


Fig. 8

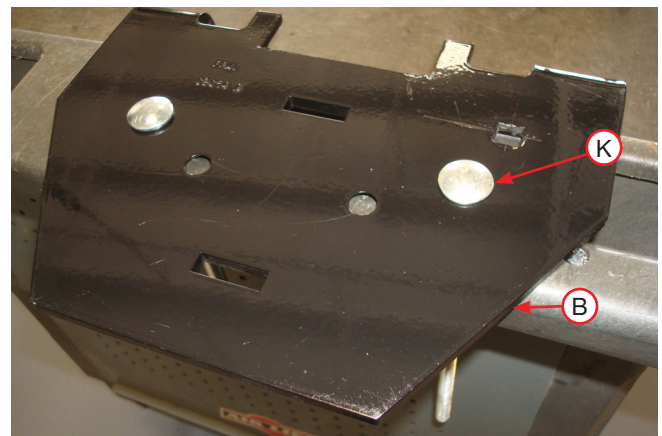
- Set the upper air spring bracket (E) onto the top of the air spring using one set of holes with the 3/8"-24 x 7/8" hex-cap screw (T), 3/8" lock washer (U) and 3/8" flat washer (N) (Fig. 9). Install the remaining air spring bracket onto the remaining air spring, using the opposite holes from those that were previously used. This makes the air spring assemblies into left- and right-hand units. Torque the hardware to no more than 20 lb.-ft. (27Nm).

*Fig. 9*

- Flip the assemblies over and set a roll plate (F) onto the bottom of the air springs (Fig. 10).

*Fig. 10*

- Insert two 3/8"-16 x 10" carriage bolts (K) through the square holes in the lower bracket main plate (B) (Fig. 11).

*Fig. 11*



- Set the lower bracket main plate assemblies onto the air springs with the roll plates installed. Attach with the 3/8"-24 x 3/4" flat-head socket-cap screws (S) (Fig. 12). Torque the hardware to no more than 20 lb.-ft. (27Nm).

**NOTE**

*The flange on the lower bracket must be on the opposite side of the fitting that is located on the top of the air spring.*

The flanges on the lower bracket must be installed so they are on the opposite side of the fitting that is on the top of the air spring.

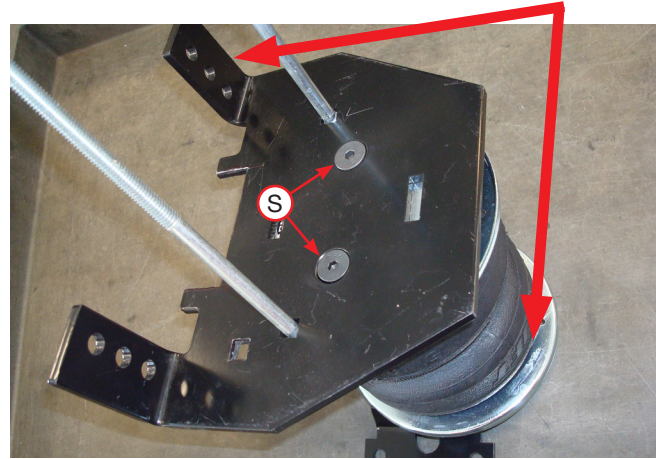


Fig. 12

- Insert the 3/8"-16 x 1" carriage bolt (I) (Fig. 13) through the top of the lower bracket. Flip over the assembly and install the lower bracket cup (C) onto the lower bracket main plate over carriage bolt and cap with serrated flange lock nut (Q) (Fig. 14). Snug bolt down but leave loose enough for the bracket to move freely in slot.

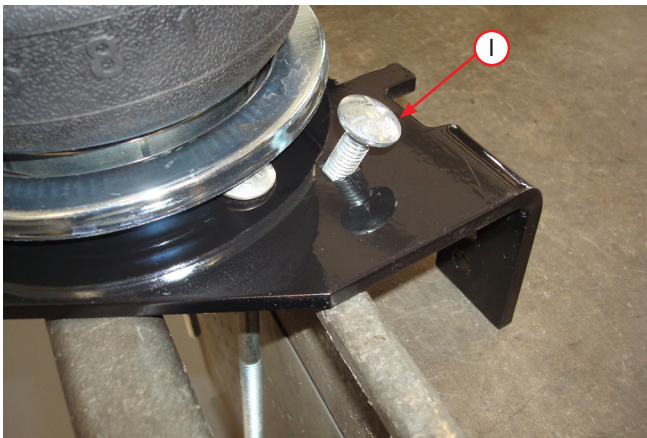


Fig. 13

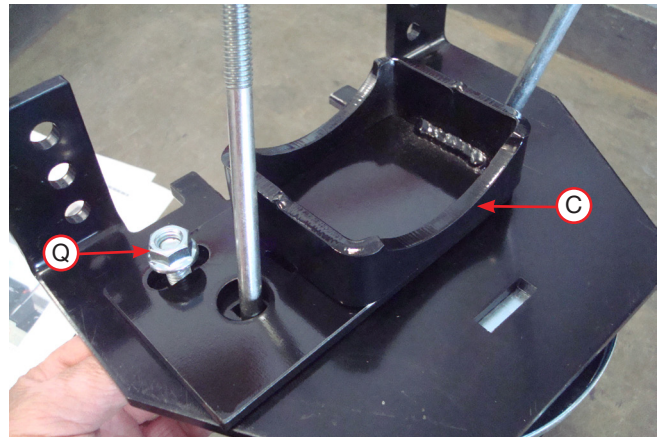


Fig. 14

- Fig. 15 shows the driver's (left) side and passenger's (right) side assemblies.

Driver's (left)  
side assembly

Passenger's (right)  
side assembly

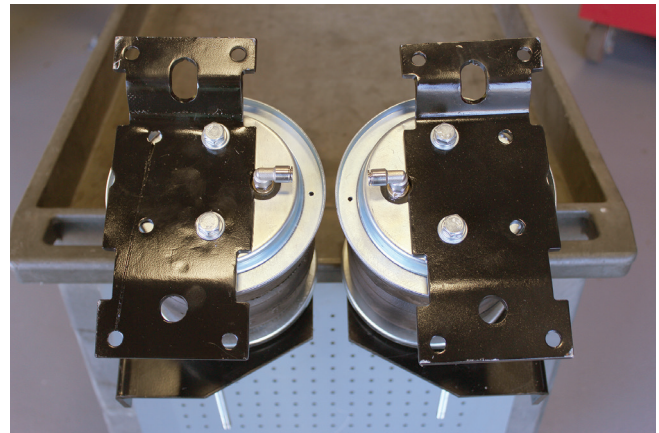


Fig. 15

## INSTALLING THE AIR SPRING ASSEMBLIES

- With the vehicle supported by safety stands, drop the axle or raise the body so that the assemblies can be put into position in between the axle and frame. Set the driver's (left) side and passenger's (right) side assemblies into position so that the lower bracket cup rests on the jounce bumper strike plate for single rear wheel (SRW) or the axle for dual rear wheel (DRW) applications.

### NOTE

If there is a sway bar, insert the carriage bolts through the Clamp Bar (A) while setting the assemblies into position over the axle (see Fig. 19).

- Push the lower bracket so that it is flush against the leaf spring stack. The flanges on the lower bracket main plate should lock on the sides of the U-bolt (Fig. 16).

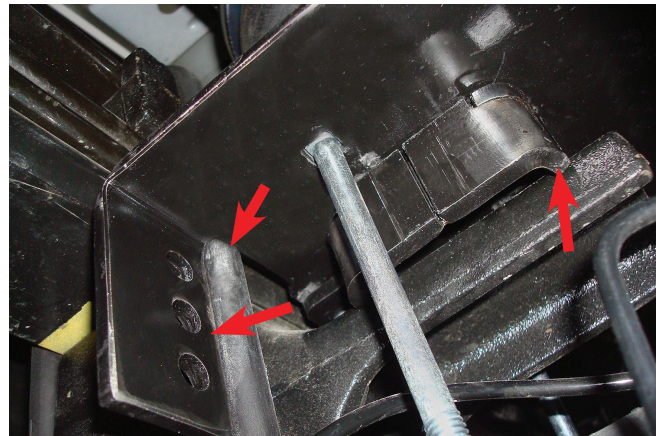


Fig. 16

### NOTE

On the driver's (left) side, the long carriage bolt in the lower bracket main plate should be located between the hard brake line and axle (Fig. 22). On the passenger's (right) side, the carriage bolt should be located on the backside of the brake line (Fig. 23).

- Install the U-bolts (H) around the stock U-bolt/leaf spring assembly and insert through the topmost holes in the lower bracket main plates (Fig. 17). Cap with the 3/8" serrated flange lock nut (Q). Snug bolts evenly, just enough to hold the lower bracket main plate flush against the stock U-bolts.

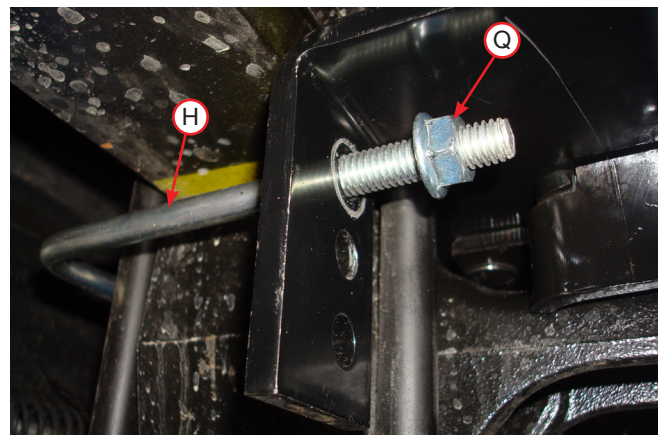
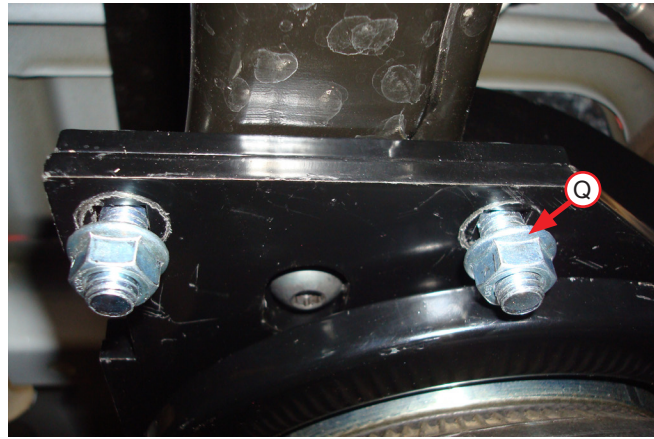


Fig. 17



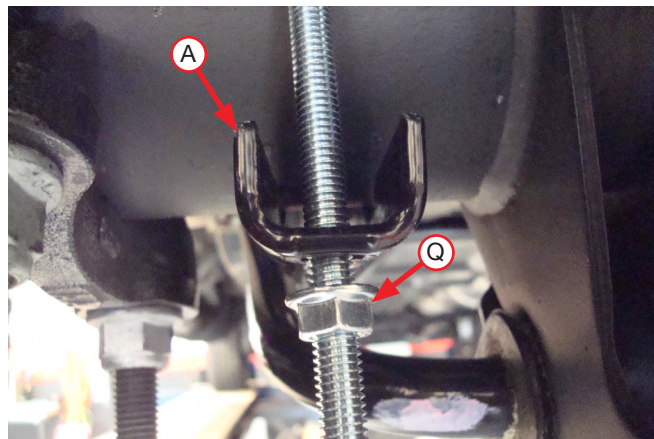
- Before proceeding, ensure the 90 degree fittings each point inboard toward the center of the vehicle. While raising the axle or lowering the body of the vehicle, align the previously installed upper frame bracket carriage bolts with the air spring bracket holes so the carriage bolts protrude through the air spring bracket. Cap the carriage bolts with the 3/8" serrated flange lock nuts (Q) (Fig. 18). Snug the bolts down first then torque to 31 lb.-ft. (42Nm). Finish raising the axle or lowering the body and remove safety stands.


*Fig. 18*

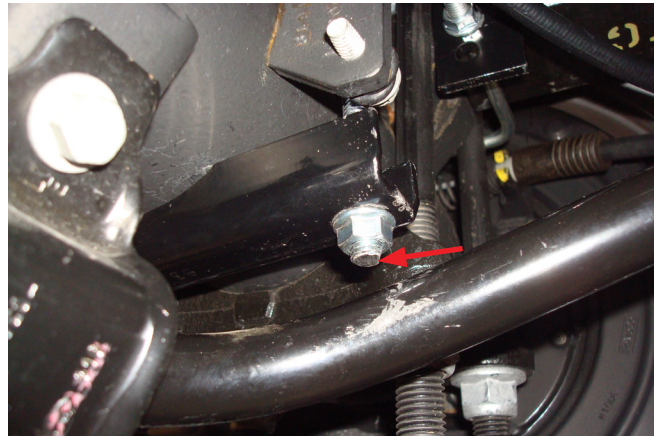
- If not completed, set the lower clamp bars (A) over the carriage bolts located under the axle (Fig. 19). Attach with the 3/8" serrated flange lock nut (Q). Evenly torque the lower clamp bar hardware to 16 lb.-ft. (22Nm). Finish tightening the U-bolt hardware previously snugged by torquing to 10 lb.-ft. (14Nm).

### TECH TIP

*For sway bar applications it is acceptable to tighten the front carriage bolt hardware down more than the rear to gain more clearance on the sway bar. Also, it may be necessary to use a 9/16" crows foot adapter to properly torque the hardware.*


*Fig. 19*

- On vehicles that have a sway bar, cut the front carriage bolt just below the nut, so it does not contact the sway bar (Fig. 20).


*Fig. 20*



- Torque the nut (Q) to 32 lb.-ft. (43Nm) on both sides (Fig. 21).

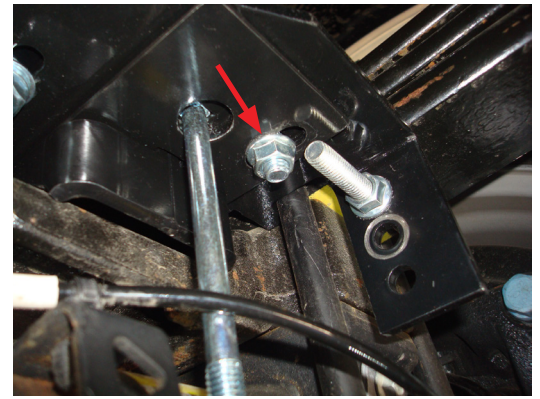


Fig. 21

- Once the lower brackets are secured, ensure the brake and ABS lines are not rubbing against the lower bracket carriage bolt. If necessary, pull or push the hard brake line away and tie off the ABS line to gain clearance.

**NOTE**

*On the passenger side, it may be necessary to pull the ABS tree mount out of the top of the bracket. Re-attach by installing the tree mount to the back (Figs. 22 & 23).*

**CAUTION**

**PUSH THE HARD BRAKE LINE AWAY FROM THE LOWER BRACKET CARRIAGE BOLT IF THE LINE IS RESTING ON IT (FIG. 22 & FIG. 23).**

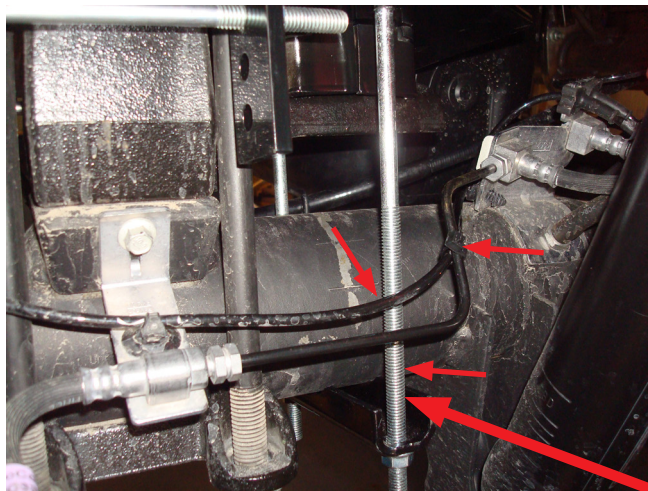


Fig. 22

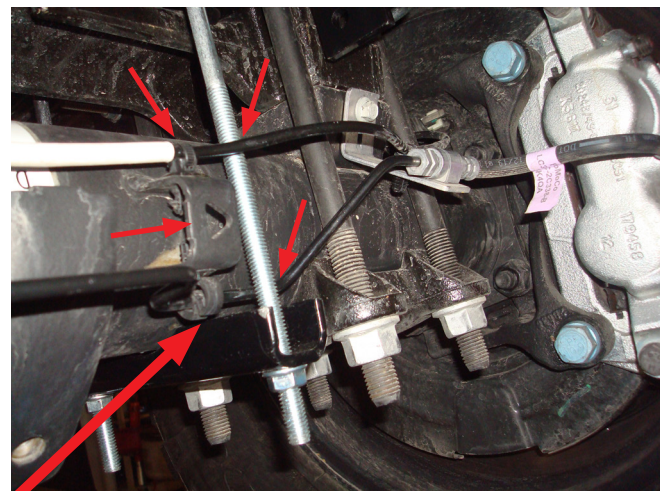


Fig. 23

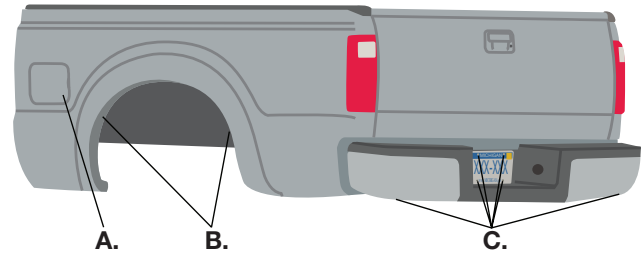
Brake or ABS lines must not rub against the carriage bolt. Push or pull hard line out of the way. Move or zip tie ABS line out of the way.

# Installing the Air Lines

Air lines are routed from the air springs to Schrader valves. LoadLifter 5000 series air lines come in two styles: nylon and braided stainless steel. Begin by choosing locations for the Schrader valves and drill a 5/16" (8mm) hole, if necessary (Fig. 24).

**CAUTION**

KEEP AT LEAST 6" (150MM) OF CLEARANCE BETWEEN ALL AIR LINES AND THE EXHAUST SYSTEM. AVOID SHARP BENDS AND EDGES.



\* For LoadLifter 5000 Ultimate Plus kits, the recommended location for the Schrader valves is the rear bumper area or license plate.

- A. Inside fuel tank filler door    B. Inside rear wheel wells    C. License plate or rear bumper area\*

Fig. 24

## INSTALLING NYLON AIR LINES

1. Cut the air line in half. Make clean, square cuts with a razor blade or hose cutter (Fig. 25). Do not use scissors or wire cutters.
2. Use zip ties to secure the air line to fixed points along the chassis. Do not pinch or kink the air line. The minimum bend radius for the air line is 1" (25mm). Leave at least 2" (51mm) of slack in the air line to allow for any movement that might pull on the air line.
3. Install the Schrader valve in the chosen location (Fig. 26).

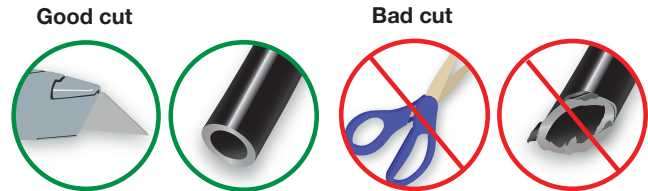


Fig. 25

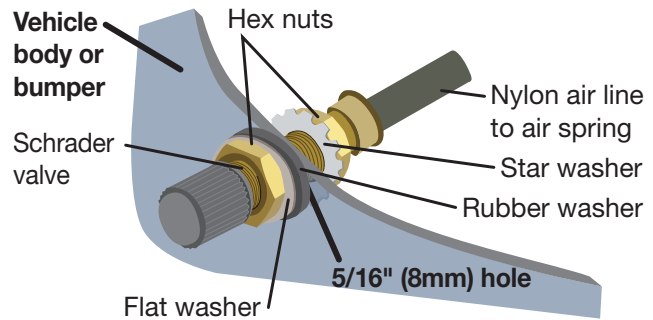


Fig. 26

## INSTALLING BRAIDED STAINLESS STEEL AIR LINES

**⚠ CAUTION**

KEEP THE AIR LINE AWAY FROM THE FUEL LINE, BRAKE LINES AND ELECTRICAL WIRES.

1. Use zip ties to secure the air line to fixed points along the chassis every 6" to 8" (152 to 203mm). Leave at least 2" (51mm) of slack to allow for any movement that might pull on the air line.
2. Tighten the air line hex nut finger-tight, then use 2 wrenches to turn 1 additional flat (1/6 of one full turn). **Do not overtighten** (Fig. 27 or Fig. 28). The easiest way to tighten the fitting is off the vehicle. Install the Schrader valve in the chosen location.
3. Coil and secure any excess air line in an area where it will not be susceptible to damage. The braided stainless steel air line cannot be trimmed.

### Air Line Setup Without Compressor System

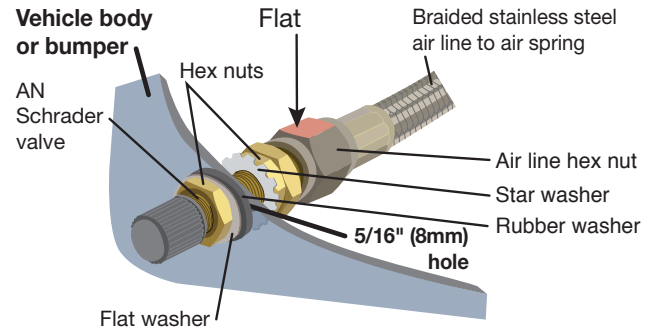


Fig. 27

### Air Line Setup for Compressor Integration

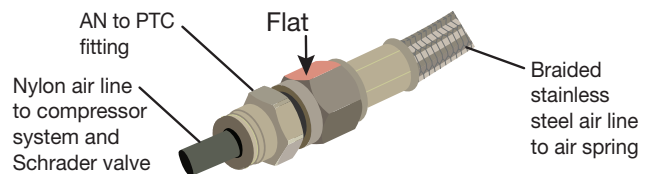


Fig. 28

## INSTALLING THE HEAT SHIELD

1. Attach the metal heat shield to the exhaust where it is closest to the air spring. Slide the air line thermal sleeve over the nylon air line and place it where the air line is closest to the exhaust (Fig. 29).

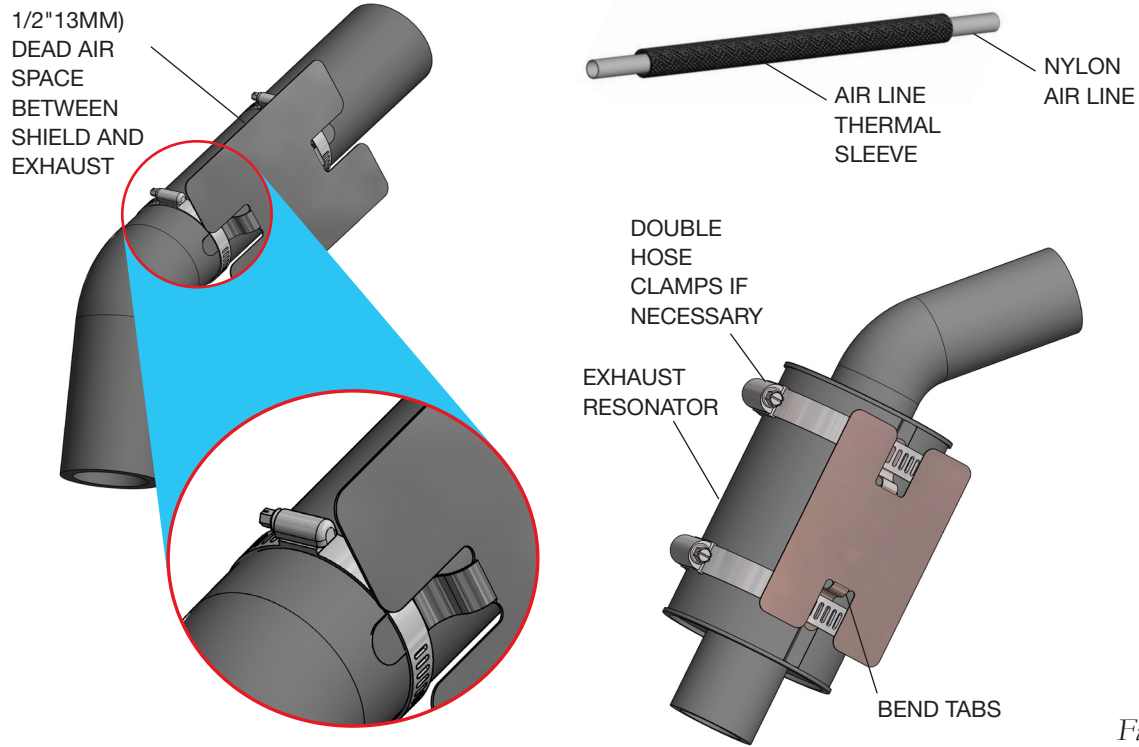
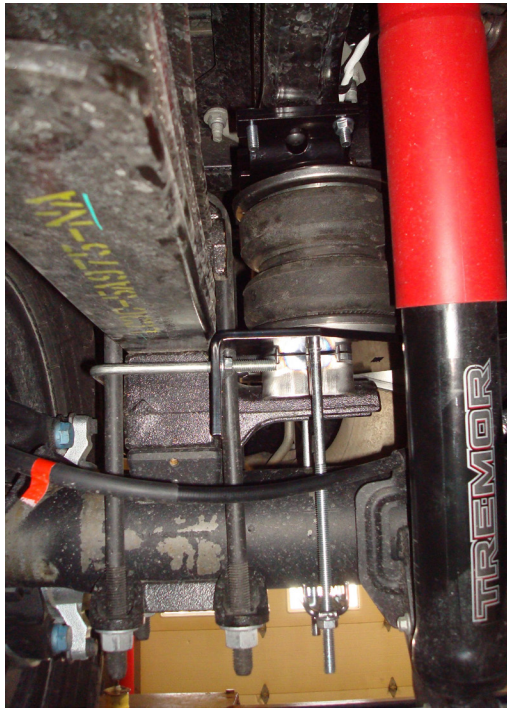


Fig. 29



# Finished Installation

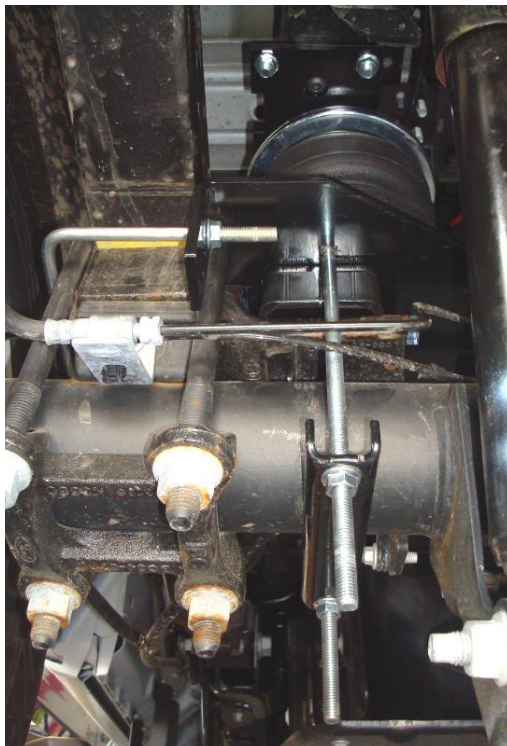
These images show the finished installation of both sides for the F-250 and F-350 single rear wheel (SRW) applications (Figs. 30-33).



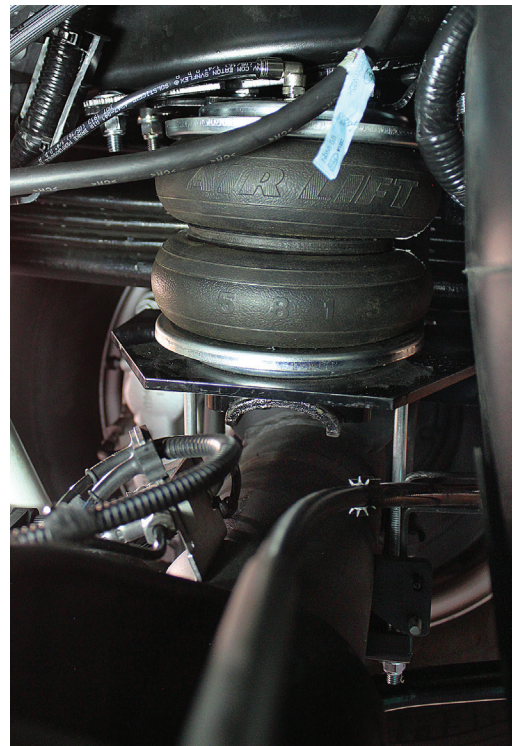
Passenger's (right) side front view *Fig. 30*



Passenger's (right) side inside frame view *Fig. 31*



Driver's (left) side rear view *Fig. 32*



Driver's (left) side inside frame view *Fig. 33*

## INSTALLATION CHECKLIST

- Clearance test** — Inflate the air springs to 40-60 PSI (2.8-4.1BAR) and make sure there is at least 1/2" (13mm) clearance from anything that might rub against each sleeve. Be sure to check the tire, brakes, frame, shock absorbers and brake cables.
- Leak test before road test** — Inflate the air springs to 40-60 PSI (2.8-4.1BAR) and check all connections for leaks. All leaks must be eliminated before the vehicle is road tested.
- Heat test** — Be sure there is sufficient clearance from heat sources, at least 6" (152mm) for air springs and air lines. If a heat shield was included in the kit, install it. If there is no heat shield, but one is required, call Air Lift customer service at (800) 248-0892.
- Fastener test** — After 500 miles (800km), recheck all bolts for proper torque.
- Road test** — The vehicle should be road tested after the preceding tests. Inflate the air springs to recommended driving pressures. Drive the vehicle 10 miles (16km) and recheck for clearance, loose fasteners and air leaks.
- Operating instructions** — If professionally installed, the installer should review the operating instructions with the owner. Be sure to provide the owner with all of the paperwork that came with the kit.

## MAINTENANCE AND USE GUIDELINES

1. Check air pressure weekly.
2. Always maintain normal ride height. Never inflate beyond 100 PSI (7BAR).
3. If the system develops an air leak, use a soapy water solution to check all air line connections and the inflation valve core before deflating and removing the air spring.

<b>Minimum Recommended Pressure</b>
<b>5 PSI (.34BAR)</b>

<b>Maximum Air Pressure</b>
<b>100 PSI (7BAR)</b>

### **CAUTION**

FOR SAFETY AND TO PREVENT POSSIBLE DAMAGE TO THE VEHICLE, DO NOT EXCEED MAXIMUM GROSS VEHICLE WEIGHT RATING (GVWR) OR PAYLOAD RATING, AS INDICATED BY THE VEHICLE MANUFACTURER. ALTHOUGH THE AIR SPRINGS ARE RATED AT A MAXIMUM INFLATION PRESSURE OF 100 PSI (7BAR), THE AIR PRESSURE ACTUALLY NEEDED IS DEPENDENT ON LOAD AND GROSS VEHICLE WEIGHT RATING.

## LIMITED WARRANTY AND RETURN POLICY

Air Lift Company provides a limited lifetime warranty to the original purchaser of its load support products, that the products will be free from defects in workmanship and materials when used on cars and trucks as specified by Air Lift Company and under normal operating conditions, subject to the requirements and exclusions set forth in the full Limited Warranty and Return Policy that is available at [www.airliftcompany.com/warranty](http://www.airliftcompany.com/warranty).

For additional warranty information contact Air Lift Company customer service.





*Thank you for purchasing Air Lift Products — the Authorized Installer's choice!*

## Need Help?

Contact Air Lift Company Customer Service at (800) 248-0892  
or email [service@airliftcompany.com](mailto:service@airliftcompany.com).

For calls outside the U.S. or Canada, dial (517) 322-2144.



MADE IN USA  
WITH GLOBAL  
COMPONENTS

Air Lift Company • 2727 Snow Road • Lansing, MI 48917 or P.O. Box 80167 • Lansing, MI 48908-0167

Air Lift Company reserves the right to make changes and improvements to its products and publications at any time.  
For the latest version of this manual, contact Air Lift Company at (800) 248-0892 or visit [airliftcompany.com](http://airliftcompany.com).