



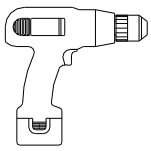
2015-2018 Ford Edge
Mud Flap Set, Rear
Mounting Diagram & Instructions
GCR43R
766627 / 766538 / 766633 / 766639

IMPORTANT:

Manufacturer is not responsible for negligent use of vehicle with mud flaps installed, including over-tightening of screws and bolts causing damage to vehicle or mud flaps.

NO-DRILL SYSTEM

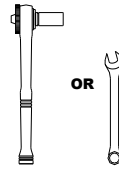
TOOLS REQUIRED-



*Electric or re-chargeable
Drill*



1/4" Drill Bit



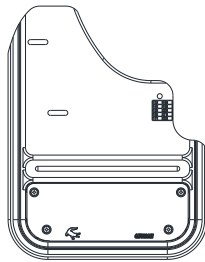
Socket or Open Wrench



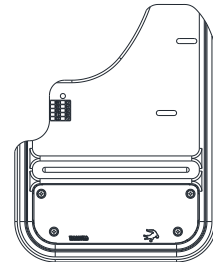
Phillips Screw Driver

FLAPS

*(1) Flap Assembly,
Front, DS
Part #766543*



*(1) Flap Assembly
Front, PS
Part #766544*



PARTS BAG # 766550

*a) (2) Screw, Machine
SS, #18-8, 10-24 x 1" Hex
Part #012022*



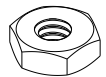
*b) (8) Washer, Flat
0.203" x 1" 18g SS
Part #018031*



*c) (2) Washer, Lock
18-8SS, 10 Helicoil
Part #024001*



*d) (2) Nut, Hex
SS, #10-24
Part #025003*

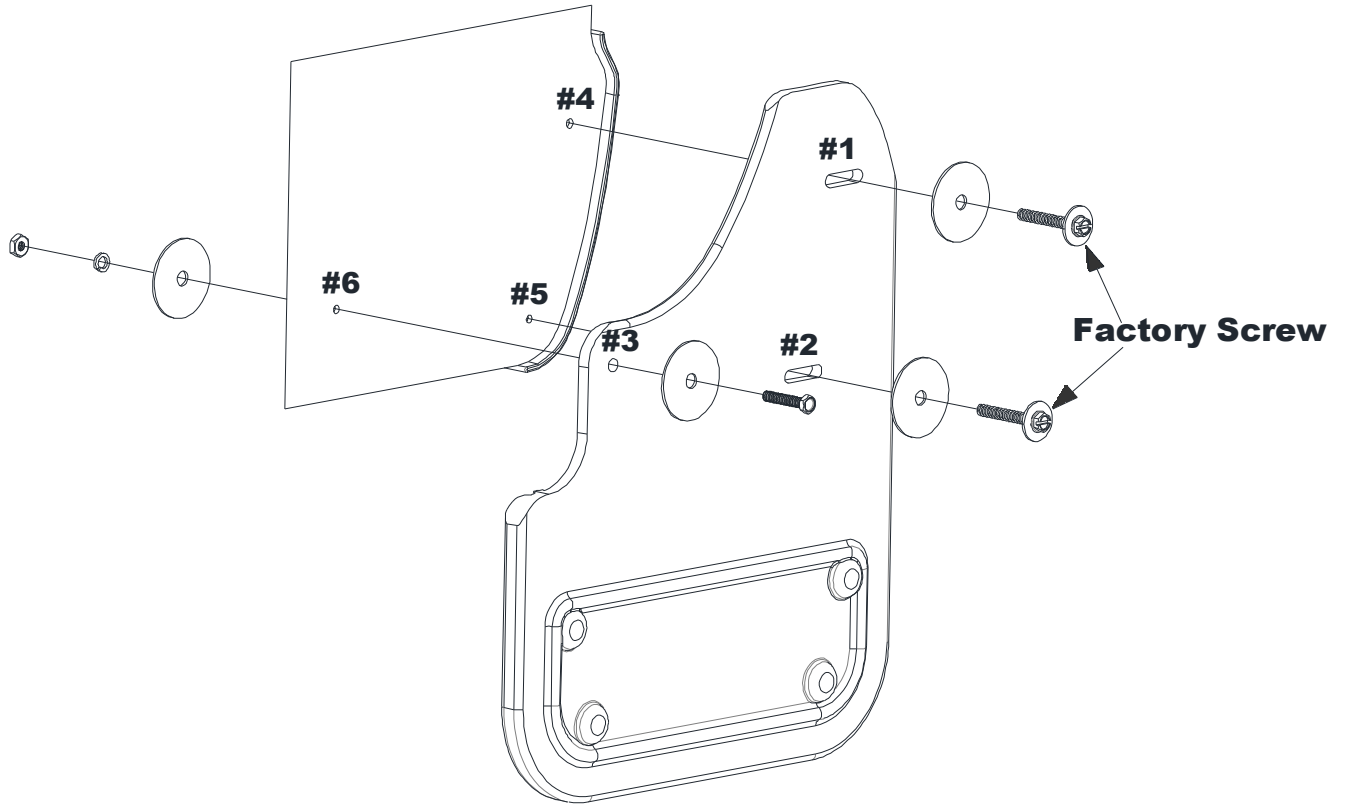


INSTALLATION *(For ease of installation it is suggested that the wheel be removed)*

1. Before you install your Mud Flap Set, see the diagram and parts list for all necessary parts. Start on the driver's side.
2. Remove the factory screws on the inner fender.
3. Loosely install the mud flap through holes #1 & #2 into the factory holes #4 & #5 using (2) factory screws and (2) stainless steel washers. (See Diagram)



4. With a square or other levelling tool, ensure that the flap is level.
5. Carefully tighten all screws and double-check that the flap has remained level.
6. With a 1/4" drill bit, drill through the inner mud flap hole #3 and through the plastic liner #6.
7. Install a stainless steel bolt through the inner mud flap hole #3 into the inner liner hole #6 using (2) stainless steel washers, (1) lock washer, and (1) hex nut. (See Diagram)
8. Repeat the procedure on the passenger side.



Please check out our YouTube channel to see an install video for this application.

